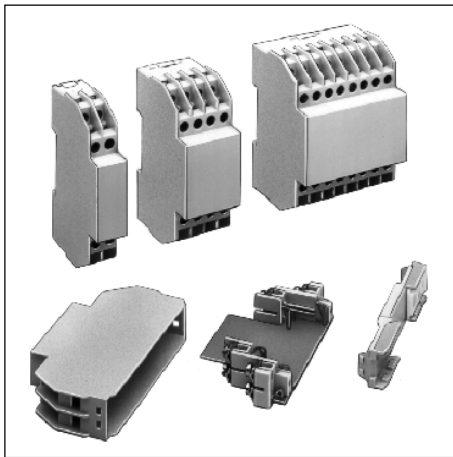
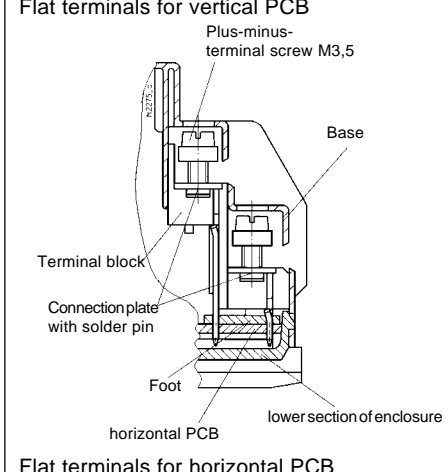
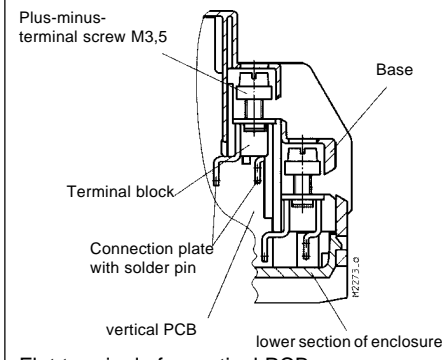


# Insulated Enclosure KU 4087, KU 4088 KU 4089 to DIN 43 880 for building-into distribution cabinets or surface mounting



- Width 17,5 / 35 / 70 mm
- 8 / 16 / 32 plus-minus-terminal screws with self raising terminal washers.  
Part utilised possible, with blanking plug as option
- Secure termination of max. 2 connection wires of differing cross section
- Machine solderable connection pins, additional wire connection possible
- Housing supplied as single parts, terminals prefitted in terminal blocks

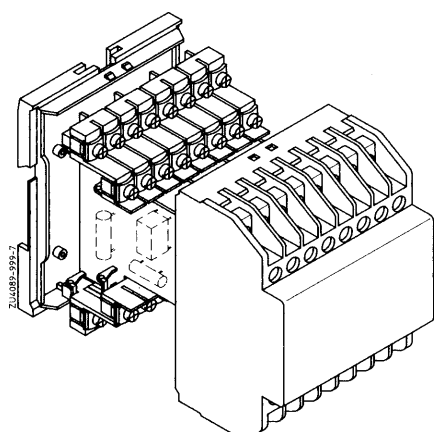
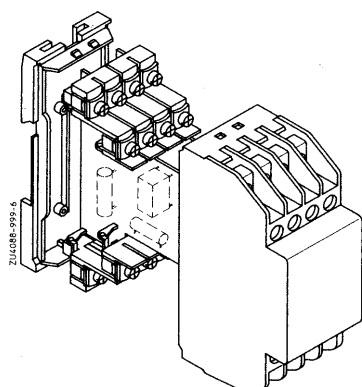
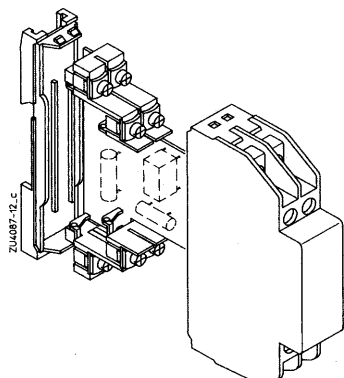


## Technical Data

Order references	
8 Terminals	
KU 4087.0031867:	Standard version vertical PCB
KU 4087.0044740:	Standard version horizontal PCB
16 Terminals	
KU 4088.0031868:	Standard version vertical PCB
KU 4088.0036588:	Standard version horizontal PCB
32 Terminals	
KU 4089.0031869:	Standard version vertical PCB
KU 4089.0036437:	Standard version horizontal PCB
Versions with removable front plate, on request	
<b>Outer dimensions:</b>	17,5 x 90 x 58 / 35 x 90 x 58 / 70 x 90 x 58
Enclosure material:	PC - GF, light grey RAL 7035
Temperature stability:	
complying with UL 746 B:	125 °C
complying with Vicat ISO 306	Meth. B: 148 °C
complying with ISO 75-2	Meth. A: 138 °C Meth. B: 144 °C
Max. permitted power dissipation:	3 W / 4 W / 8 W at normal climate 23/50-1 <span style="float: right;">ISO 554</span>
specific thermal resistance:	R <sub>th</sub> = 16 K / W; 12 K / W; 8 K / W for stand-alone enclosure
Flame retardancy	V-0
complying with UL 94:	BH 2-30
complying with IEC 60 707:	
<b>Number of terminals:</b>	8 / 16 / 32; < 8, < 16, < 32 on request
Terminal material:	Steel strip, tin-plated
Max. cross section for connection:	2 x 2,5 mm <sup>2</sup> solid 2 x 1,5 mm <sup>2</sup> stranded <span style="float: right;">DIN 46 228-1/-2/-3/-4</span> min. Ø 0,1 mm solid
Max. contact resistance to printed circuit board:	20 mΩ
Max. current carrying capacity:	16 A; 40 A on request
Wire fastening:	Captive plus-minus-terminal screws M3,5 with self raising terminal washers. Function compl. with IEC 60 999-1
Inner connection:	Machine solderable connection pin for PCB und and soldering lug for stranded
<b>Enclosure fastener:</b>	1) Snap-on fastener on top hat rail <span style="float: right;">EN 50 022</span> 2) Screw fixing M4, grid 90 mm with additional clip as accessory
Creepage current resistance:	CTI 175 ≙ insulated material III a <span style="float: right;">IEC 60 664-1</span>
<b>Air gap and creepage distances</b>	<span style="float: right;">IEC 60 664-1</span>
Vertical PCB:	Air gap distance: ≥ 4,0 mm Creepage distance: ≥ 6,3 mm
Horizontal PCB:	≥ 3,2 mm
Type of protection	
Enclosure:	IP 40 <span style="float: right;">IEC 60 529</span>
Terminals:	IP 20 <span style="float: right;">IEC 60 529</span> Contact protection complies with VBG 4
Print area:	17 x 44 mm / 35 x 44 mm / 71 x 44 mm
<b>Printed circuit board:</b>	See printed circuit board design
Printed circuit board holder:	Guide ribs
Net weight:	42 / 80 / 150 g
<b>Accessories:</b>	
ET 4086-0-2:	Second clip for screw fixing
KU 4089-3-4:	Blanking plug for terminal block
KU 4087-0-2:	Blanking plug for Enclosure base
KU 4087-2-1:	Dummy terminal block for vertical PCB
KU 4089-3-1:	Dummy terminal block for horizontal PCB
KU 4089-3-3:	Double foot, for KU 4089-3-1 necessary, 2 pieces KU 4089-3-1 mounted on double foot
KU 4089-3-3.1:	Foot, for KU 4089-3-1 necessary, 1 piece KU 4089-3-1 mounted on foot

All specifications correspond to the technology used at time of publication.  
We reserve the right to make improvements and changes of a technical nature at any time.

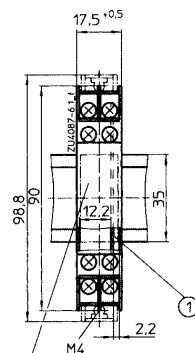
## Exploded views



## Dimensions Enclosure for vertical PCB

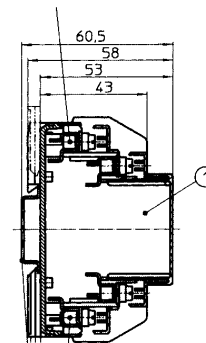
PCBs not included in deliveries

KU 4087.0031867



in area 15 x 35 openings are possible to customers spec.

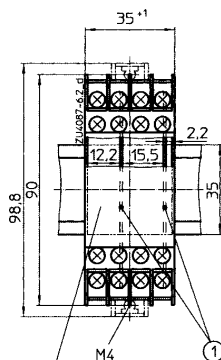
Terminal block fitted  
KU 4087-2.1/0142957



Terminal block fitted  
KU 4087-3.1/0142958

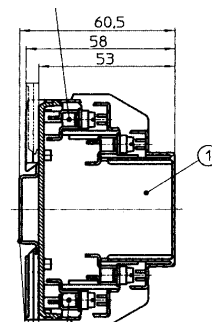
top hat rail  
EN 50 022

KU 4088.0031868



in area 33 x 35 openings are possible to customers spec.

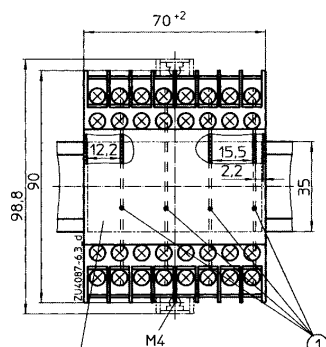
Terminal block fitted  
KU 4087-2.1/0142957



Terminal block fitted  
KU 4087-3.1/0142958

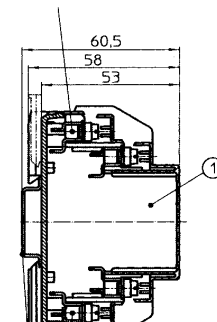
top hat rail  
EN 50 022

KU 4089.0031869



in area 67 x 35 openings are possible to customers spec.

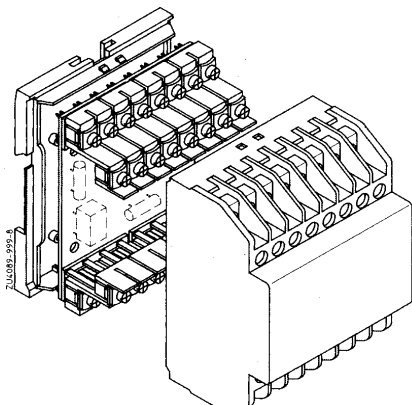
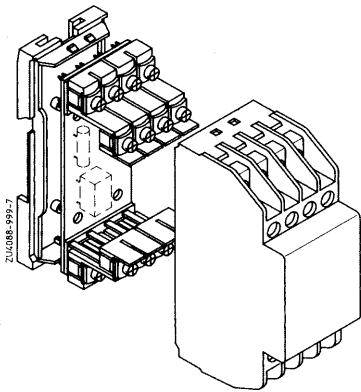
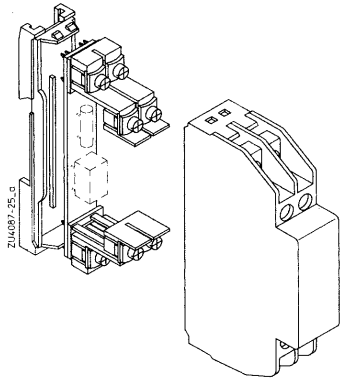
Terminal block fitted  
KU 4087-2.1/0142957



Terminal block fitted  
KU 4087-3.1/0142958

top hat rail  
EN 50 022

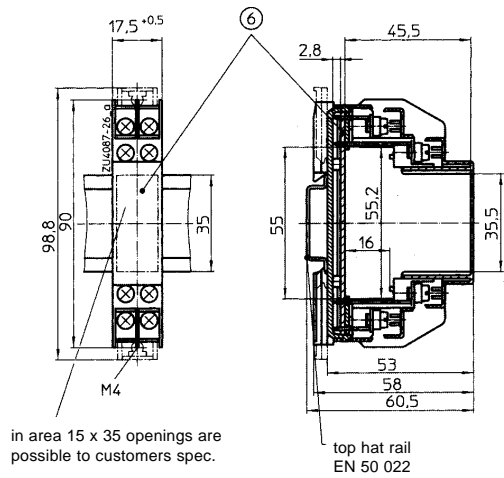
## Exploded views



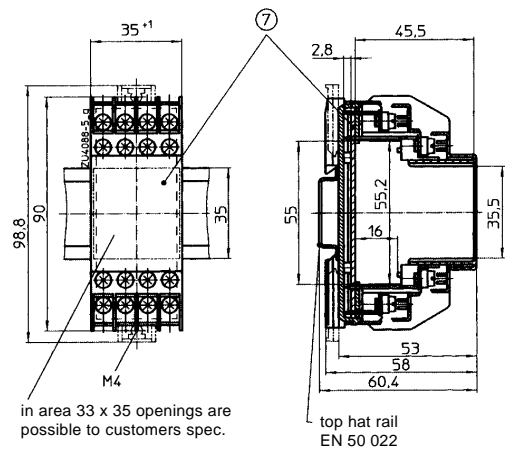
## Dimensions Enclosure for horizontal PCB

PCBs not included in deliveries

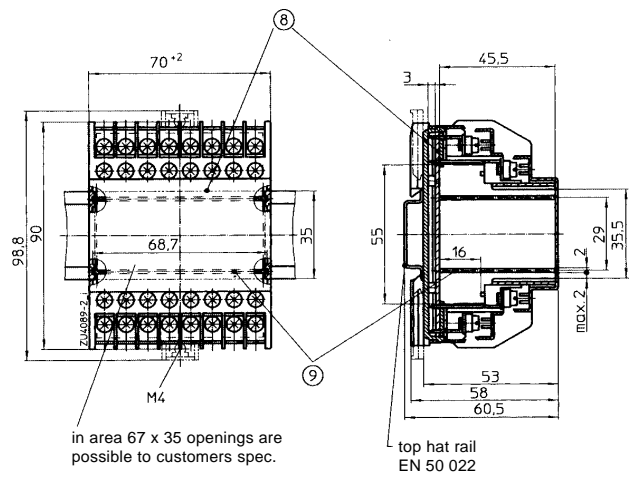
KU 4087.0044740



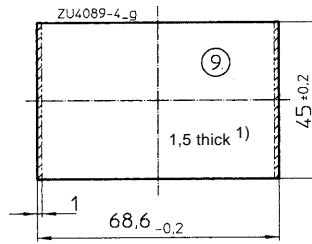
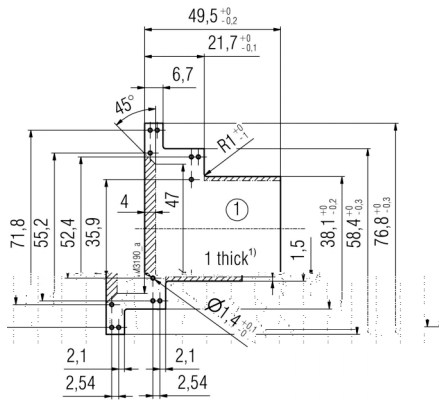
KU 4088.0036588



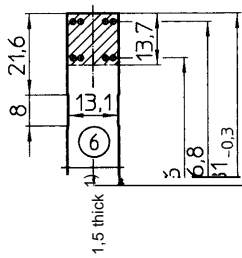
KU 4089.0036437



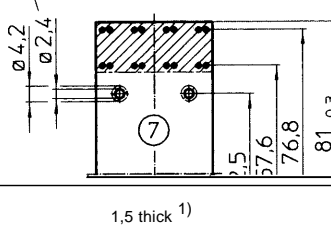
# Printed circuit board design



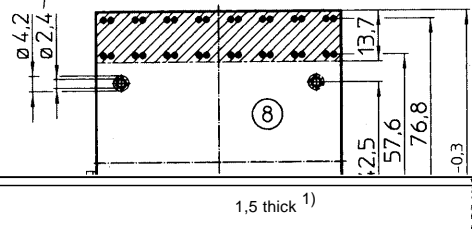
View from component side



Hole  $\varnothing 2,4$  on request, for cylindrical screws ISO 1207 - M2 x 3 not included in deliveries



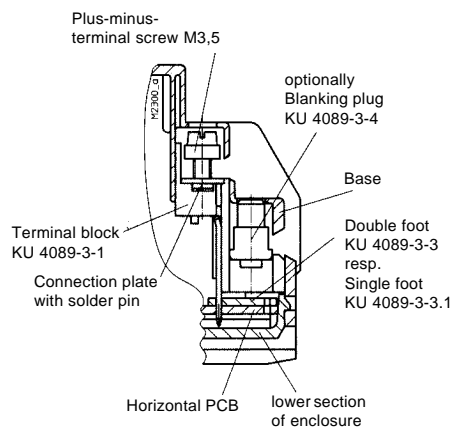
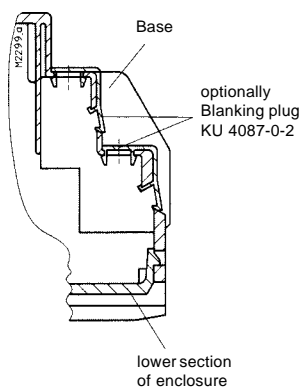
Hole  $\varnothing 2,4$  on request, for cylindrical screws M2 x 3 ISO 1207 not included in deliveries



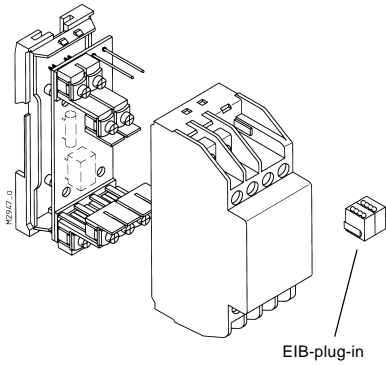
▨ inhibited surface

1) Tolerance complying with IEC 60 249-2-4

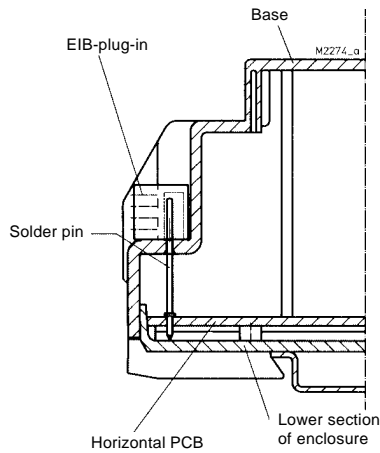
# Accessories



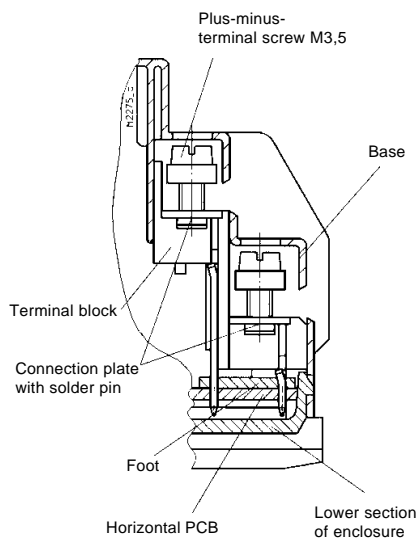
## KU 4088 for EIB-plug-in (12-pole)



- Width 35 mm
- Useable for Sensor and Aktor modules in EIB-system
- For standard EIB-plug-in, 2-pole
- 12 plus-minus-terminal screws with self raising terminal washers
- Part insertion possible, available with blanking plugs

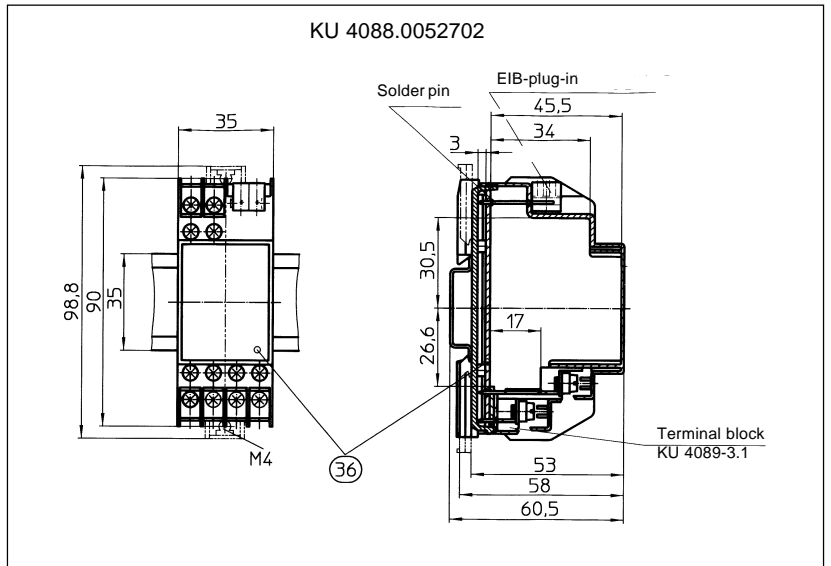


EIB-plug-in

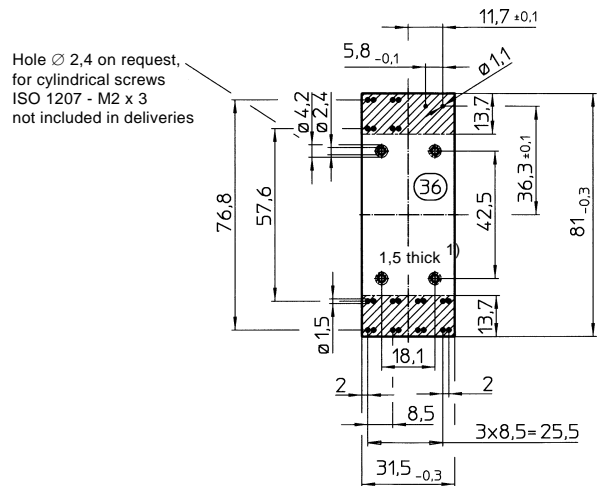


Flat terminals for horizontal PCB

## Dimension



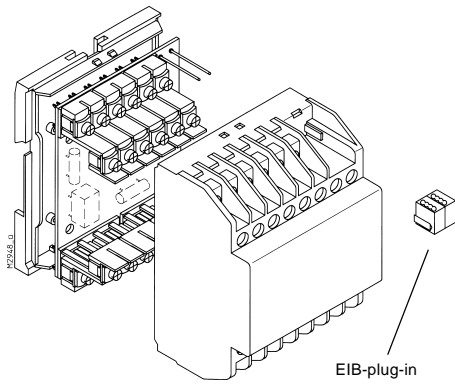
## Printed circuit board design



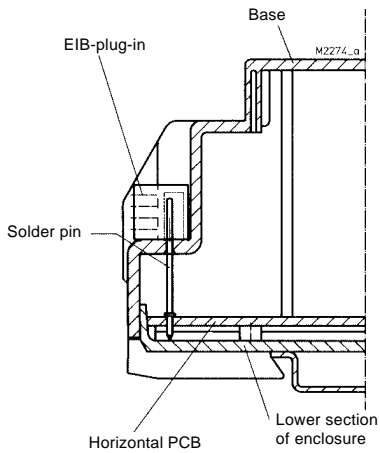
▨ inhibited surface

- 1) Tolerance complying with IEC 60 249-2-4
- 2) Hole Ø 2,4 on request, for cylindrical screws ISO 1207 - M2 x 3 not included in deliveries

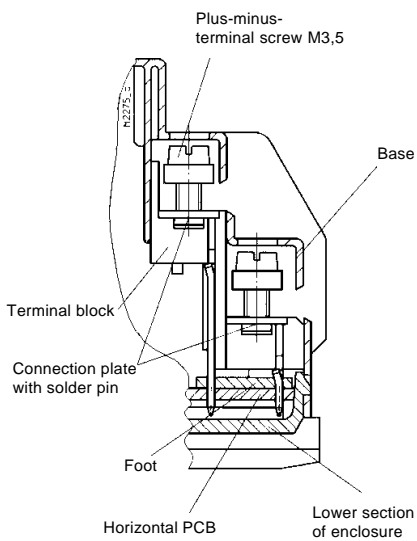
## KU 4089 for EIB-plug-in (28-pole)



- Width 70 mm
- Useable for Sensor and Aktor modules in EIB-system
- For standard EIB-plug-in, 2-pole
- 28 plus-minus-terminal screws with self raising terminal washers
- Part insertion possible, available with blanking plugs



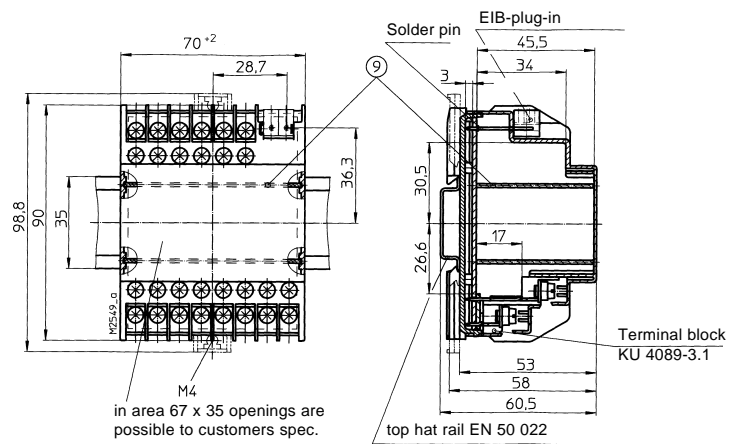
EIB-plug-in



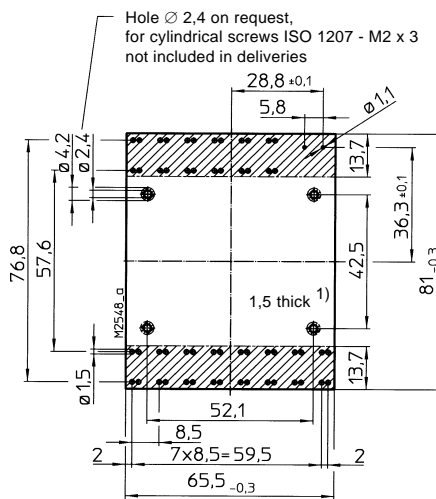
Flat terminals for horizontal PCB

## Dimension

KU 4089.0051013



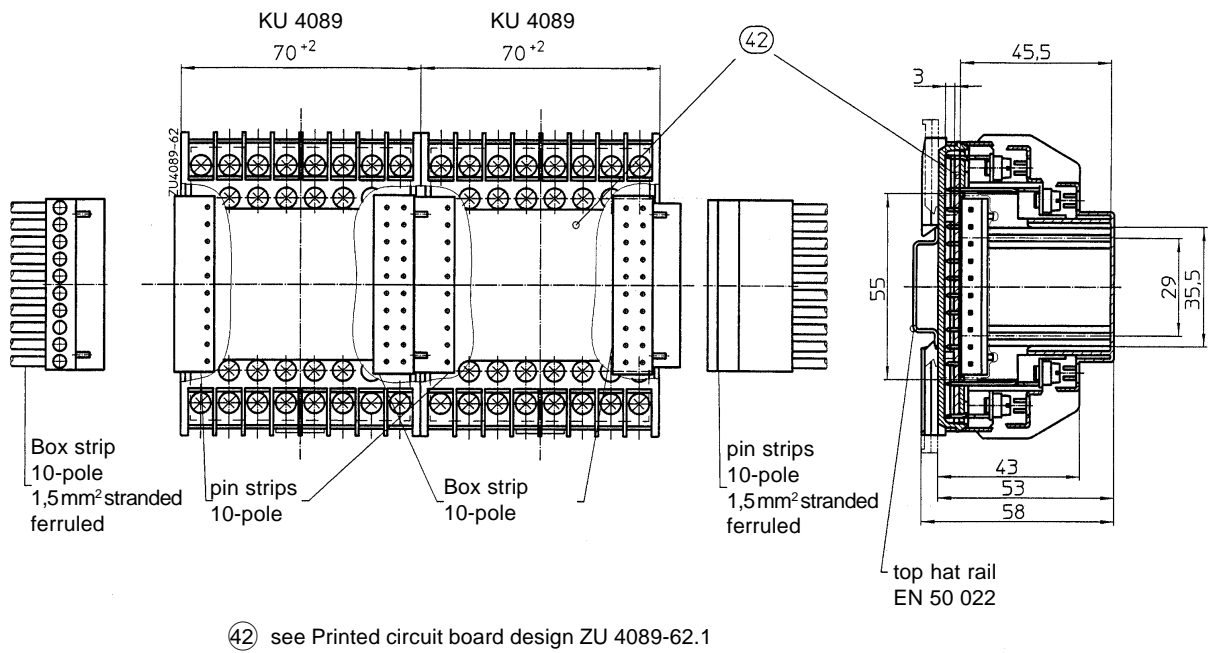
## Printed circuit board design



▨ inhibited surface

- 1) Tolerance complying with IEC 60 249-2-4
- 2) Hole  $\varnothing 2,4$  on request, for cylindrical screws ISO 1207 - M2 x 3 not included in deliveries

## Dimensions for BUS-connection between enclosure and from row to row



other polarity versions, on request

## Printed circuit board design for BUS-connection between enclosure and from row to row

