

647879-1 ✓ ACTIVE

TE Internal #: 647879-1

Power Contacts, Contact, 600 VAC, 600 VDC, Silver, 12 – 10 AWG

Wire Size, 3.085 – 6.114 mm² Wire Size, 6088 – 12066 CMA Wire

Size, Wire & Cable, Crimp

[View on TE.com >](#)



Connectors > Power Connectors > Power Contacts



Power Contact Type: **Contact**

Operating Voltage: **600 VDC**

Contact Mating Area Plating Material: **Silver**

Wire Size: **12 – 10 AWG**

Features

Product Type Features

Compatible With Discrete Wire Type	Stranded
Power Contact Type	Contact
Connector & Contact Terminates To	Wire & Cable

Electrical Characteristics

Operating Voltage	600 VDC
-------------------	---------

Contact Features

Barrel Type	Closed
Contact Mating Area Plating Material	Silver
Contact Current Rating (Max)	50 A
Contact Type	Tab
Contact Retention Within Housing	With
Mating Tab Width	7.11 mm[.28 in]
Mating Tab Thickness	3.35 mm[.131 in]
Contact Base Material	Copper Alloy
Contact Mating Area Plating Material Thickness	1.27 µm[50 µin]



Wire Contact Termination Area Plating Thickness	1.27 μm[50 μin]
---	-----------------

Wire Contact Termination Area Plating Material	Silver
--	--------

Wire Contact Termination Area Plating Material Finish	Matte
---	-------

Contact Orientation	Straight
---------------------	----------

Contact Underplating Material	Nickel
-------------------------------	--------

Contact Underplating Material Thickness	50 μm[1.27 μin]
---	-----------------

Termination Features

Termination Method to Wire & Cable	Crimp
------------------------------------	-------

Dimensions

Wire Size	6088 – 12066 CMA
-----------	------------------

Usage Conditions

Operating Temperature Range	-40 – 105 °C[-40 – 221 °F]
-----------------------------	----------------------------

Operation/Application

Circuit Application	Power
---------------------	-------

Industry Standards

UL Rating	Recognized
-----------	------------

Agency/Standard	UL
-----------------	----

UL Flammability Rating	UL 94V-0
------------------------	----------

Packaging Features

Packaging Quantity	1000
--------------------	------

Packaging Method	Bag
------------------	-----

Product Compliance

For compliance documentation, visit the product page on [TE.com](https://www.te.com)>

EU RoHS Directive 2011/65/EU	Compliant
------------------------------	-----------

EU ELV Directive 2000/53/EC	Compliant
-----------------------------	-----------

China RoHS 2 Directive MIIT Order No 32, 2016	No Restricted Materials Above Threshold
---	---

EU REACH Regulation (EC) No. 1907/2006	Current ECHA Candidate List: JAN 2023 (233) Candidate List Declared Against: JAN 2023 (233) Does not contain REACH SVHC
--	---

Halogen Content	Low Halogen - Br, Cl, F, I < 900 ppm per homogenous material. Also BFR/CFR/PVC
-----------------	--

Free

Solder Process Capability

Not applicable for solder process capability

Product Compliance Disclaimer

This information is provided based on reasonable inquiry of our suppliers and represents our current actual knowledge based on the information they provided. This information is subject to change. The part numbers that TE has identified as EU RoHS compliant have a maximum concentration of 0.1% by weight in homogenous materials for lead, hexavalent chromium, mercury, PBB, PBDE, DBP, BBP, DEHP, DIBP, and 0.01% for cadmium, or qualify for an exemption to these limits as defined in the Annexes of Directive 2011/65/EU (RoHS2). Finished electrical and electronic equipment products will be CE marked as required by Directive 2011/65/EU. Components may not be CE marked. Additionally, the part numbers that TE has identified as EU ELV compliant have a maximum concentration of 0.1% by weight in homogenous materials for lead, hexavalent chromium, and mercury, and 0.01% for cadmium, or qualify for an exemption to these limits as defined in the Annexes of Directive 2000/53/EC (ELV). Regarding the REACH Regulation, the information TE provides on SVHC in articles for this part number is based on the latest European Chemicals Agency (ECHA) 'Guidance on requirements for substances in articles' posted at this URL: <https://echa.europa.eu/guidance-documents/guidance-on-reach>


Compatible Parts



TE Part # 647893-4
SRS 50 CONN KIT,GRAY,10-12AWG



TE Part # 647893-5
SRS 50 CONN KIT,BLUE,10-12AWG

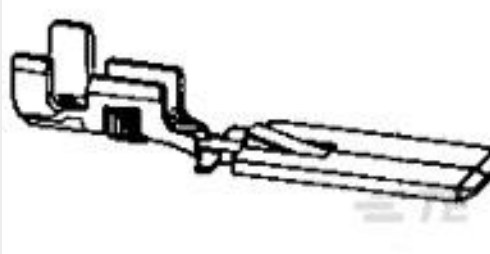


TE Part # 647845-3
SERIES 50 HOUSING,RED

Customers Also Bought



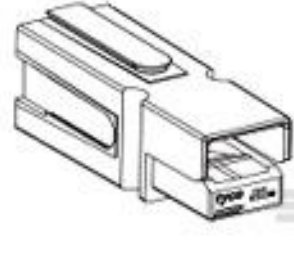
TE Part #647845-5
SERIES 50 HOUSING,BLUE



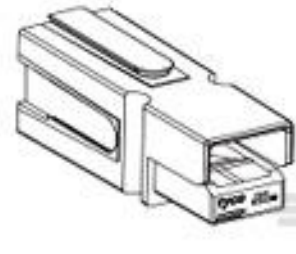
TE Part #280075-2
FF 375 TAB 3-6MM2 PTBR



TE Part #1217094-2
RCPT 250 POS-LOCK 18-14 TPBR



TE Part #1445715-2
75A HSG SUBASY BLACK



TE Part #1445715-5
75A HSG SUBASY RED



TE Part #647893-4
SRS 50 CONN KIT,GRAY,10-12AWG



TE Part #4-1625892-7
3W SM M/OX 5% 3K3



TE Part #1586853-1
09P UMNL CAP HSG, GW



Documents

Product Drawings

[SERIES 50&75 CONTACT,10-12 AWG](#)

English

CAD Files

[3D PDF](#)

English

[Customer View Model](#)

[ENG_CVM_647879-1_A.3d_igs.zip](#)

English

[Customer View Model](#)

[ENG_CVM_647879-1_A.3d_stp.zip](#)

English

[Customer View Model](#)

[ENG_CVM_647879-1_A.2d_dxf.zip](#)

English

By downloading the CAD file I accept and agree to the [Terms and Conditions](#) of use.

Datasheets & Catalog Pages

[POWER_CONNECTORS_CATALOG_SEC02_CABLE_MOUNTED](#)

English

[2_PIECE_POWER_CONNECTORS_qrg_4-1773458-1](#)

English

Product Specifications

[Application Specification](#)

English

[Application Specification](#)

English

Product Environmental Compliance

[MD_647879-1_05272014040_dmtec](#)

English

[MD_647879-1_05272014040_dmtec](#)

English



[Agency Approvals](#)

[Agency Approval Document](#)

English