



Series HC26

TE Internal #: 1103432-1

Series HC26, Circular Connector Contact Inserts, Socket, Pole Configuration 12, Wire-to-Panel / Wire-to-Wire, 12 Position, Sealable, Wire & Cable

[View on TE.com >](#)

Connectors > Circular Connectors > Circular Connector Contact Inserts



Circular Connector Insert Type: **Socket**

Pole Configuration: **12**

Connector System: **Wire-to-Panel, Wire-to-Wire**

Number of Positions: **12**

Sealable: **Yes**

Features

Product Type Features

| | |
|-----------------------------------|-----------------------------|
| Product Type | Insert |
| Connector System | Wire-to-Panel, Wire-to-Wire |
| Sealable | Yes |
| Connector & Contact Terminates To | Wire & Cable |

Configuration Features

| | |
|---------------------|----|
| Number of Positions | 12 |
|---------------------|----|

Body Features

| | |
|--------------------------------|----------|
| Material | PBT GF10 |
| Color | Gray |
| Circular Connector Insert Type | Socket |

Contact Features

| | |
|------------------------------|------|
| Pole Configuration | 12 |
| Contact Current Rating (Max) | 10 A |

Termination Features

| | |
|------------------------------------|----------------|
| Termination Method to Wire & Cable | Crimp Terminal |
|------------------------------------|----------------|

Mechanical Attachment

| | |
|-------------------------|-------------|
| Connector Mounting Type | Panel Mount |
|-------------------------|-------------|



Usage Conditions

| | |
|-----------------------------|--------------------------|
| Operating Temperature Range | -20 – 80 °C[-4 – 176 °F] |
|-----------------------------|--------------------------|

Operation/Application

| | |
|----------------------------------|----------------|
| Compatible With Connector Series | Power4Net |
| Circuit Application | Power & Signal |

Packaging Features

| | |
|--------------------|--------|
| Packaging Method | Carton |
| Packaging Quantity | 40 |

Other

| | |
|---------|--|
| Comment | Contacts sold separately., See drawing for additional product information. |
|---------|--|

Product Compliance

[For compliance documentation, visit the product page on TE.com>](#)

| | |
|---|---|
| EU RoHS Directive 2011/65/EU | Compliant |
| EU ELV Directive 2000/53/EC | Compliant |
| China RoHS 2 Directive MIIT Order No 32, 2016 | No Restricted Materials Above Threshold |
| EU REACH Regulation (EC) No. 1907/2006 | Current ECHA Candidate List: JAN 2021 (211) Candidate List Declared Against: JAN 2020 (205) SVHC > Threshold: Not Yet Reviewed |
| Halogen Content | Not Yet Reviewed for halogen content |
| Solder Process Capability | Not applicable for solder process capability |

Product Compliance Disclaimer

This information is provided based on reasonable inquiry of our suppliers and represents our current actual knowledge based on the information they provided. This information is subject to change. The part numbers that TE has identified as EU RoHS compliant have a maximum concentration of 0.1% by weight in homogenous materials for lead, hexavalent chromium, mercury, PBB, PBDE, DBP, BBP, DEHP, DIBP, and 0.01% for cadmium, or qualify for an exemption to these limits as defined in the Annexes of Directive 2011/65/EU (RoHS2). Finished electrical and electronic equipment products will be CE marked as required by Directive 2011/65/EU. Components may not be CE marked. Additionally, the part numbers that TE has identified as EU ELV compliant have a maximum concentration of 0.1% by weight in homogenous materials for lead, hexavalent chromium, and mercury, and 0.01% for cadmium, or qualify for an exemption to these limits as defined in the Annexes of Directive 2000/53/EC (ELV). Regarding the REACH Regulation, the information TE provides on SVHC in articles for this part number is based on the latest European Chemicals Agency (ECHA) 'Guidance on requirements for substances in articles' posted at this URL: <https://echa.europa.eu/guidance-documents/guidance-on-reach>

Compatible Parts



TE Part # 1103427-2
HC26.Bu.4.C.5,2

Also in the Series | **Series HC26**



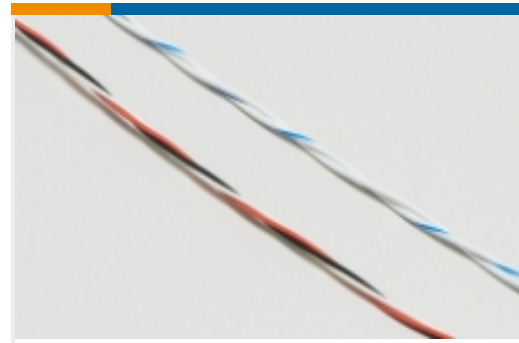
Circular Connector Contact Inserts(5)



Circular Power Connectors(2)



Insertion & Extraction Tools(2)

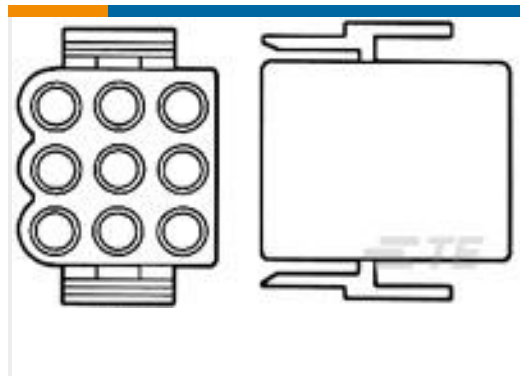


Twisted Pair Cable(1)

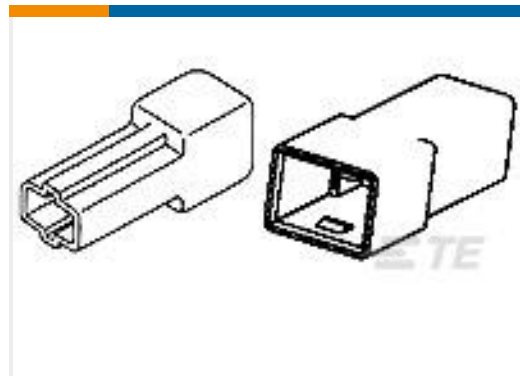
Customers Also Bought



TE Part #4-1623732-4
Wirewound Resistor: Vertical Mount



TE Part #1-480585-0
09P .140 MNL PLUG NAT



TE Part #2-180916-0
FF 250 TAB HSG 1P NYLON NAT



TE Part #2-1625886-6
1W SM M/OX 5% 56R



TE Part #4-967628-1
AMP MCP, UNSEALED CONNECTOR HOUSING



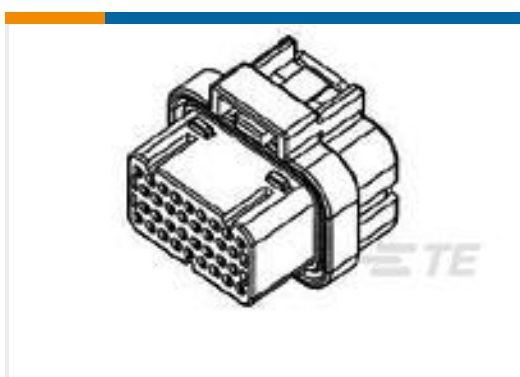
TE Part #3-966140-4
LOW & MEDIUM POWER HEADER



TE Part #9-966140-5
AMP MCP UNSEALED HEADERS



TE Part #173063-2
ECONOSEAL, CONNECTOR HOUSING



TE Part #1473712-2
SUPER SEAL 2ROW 26POS PLUG ASS



TE Part #1103431-1
MALE INSERT, CRIMP, 12-POS. TYPE III+



Documents

Product Drawings

[HC26.Bu.12.C](#)

English

CAD Files

[3D PDF](#)

3D

Customer View Model

[ENG_CVM_CVM_1103432-1_C.2d_dxf.zip](#)

English

Customer View Model

[ENG_CVM_CVM_1103432-1_C.3d_igs.zip](#)

English

Customer View Model

[ENG_CVM_CVM_1103432-1_C.3d_stp.zip](#)

English

By downloading the CAD file I accept and agree to the [Terms and Conditions](#) of use.

Product Specifications

[Product Specification](#)

English