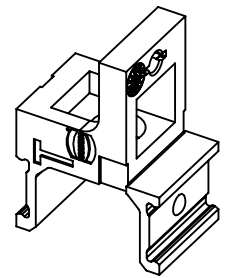
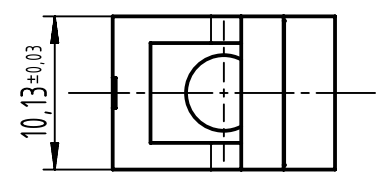
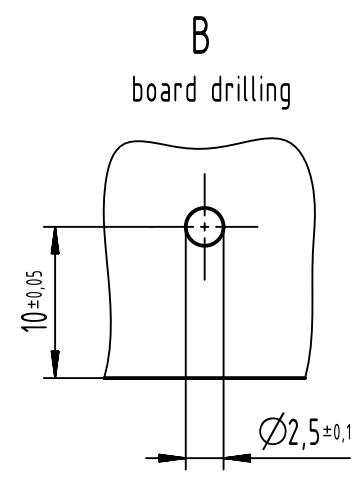
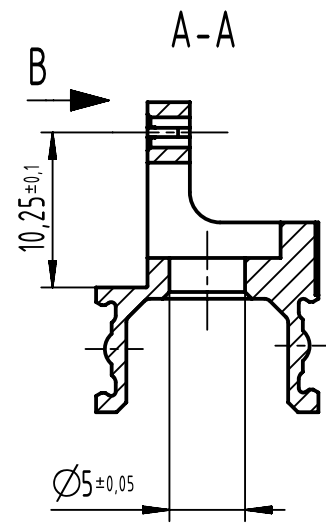
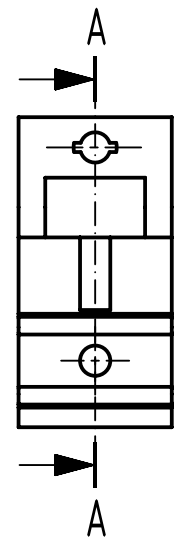
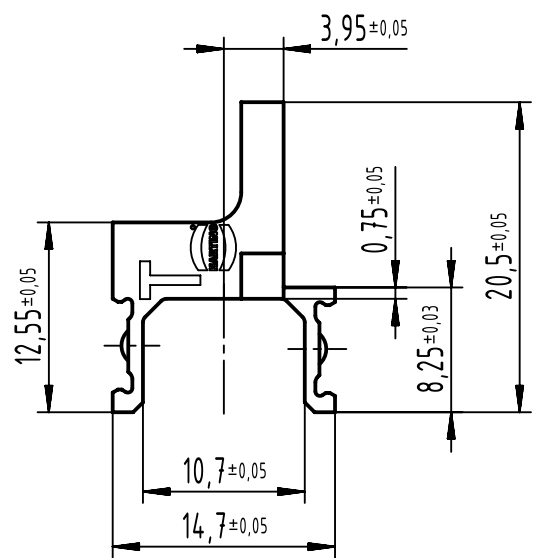



1 2 3 4 5 6

A
B
C
D



	09 06 001 9979	self-tapping screw for plastic 2,2x8-T6	0,9 - 5,3
	09 06 001 9980	self-tapping screw for plastic 2,2x7-T6	0,9 - 4,3
	09 06 001 9981	self-tapping screw for plastic 2,2x6-T6	0,9 - 3,4
	09 06 001 9982	self-tapping screw for plastic 2,2x5-T6	0,9 - 2,4
	screw - part no.	description	PCB-thickness

recommended self-tapping screw for different PCB-thickness
(please order separately)

	All rights reserved Department EL PD	Created by STORCK	Inspected by LEHNERT	Standardisation SAP_WFRT	Date 2022-09-20	State Final Release
		Title har-modular T-module male angled				
HARTING D-32339 Espelkamp		Type TB	Number 02519000001		Rev. D	Page 1/1