

# LEV200A4NAF ✓ ACTIVE

Kilovac | Kilovac LEV200

TE Internal #: 1618387-5

DC Contactors, 1 Form X, SPST-NO DM, 22 AWG Wire Size, .34 mm<sup>2</sup> Wire Size, 500 A, 12 VDC Coil Voltage, 11 Ω Coil Resistance, Kilovac LEV200

[View on TE.com >](#)



Relays, Contactors & Switches > Contactors > Mil-Aero Contactors > DC Contactors



DC Contactor Contact Arrangement: **1 Form X, SPST-NO DM**

Wire Size: **.34 mm<sup>2</sup>**

DC Contactor Contact Current Rating: **500 A**

Coil Voltage (Max): **12 VDC**

## Features

### Product Type Features

Product Classification	Relays - Contactors
Product Type	Contactor
Product Category	Electromechanical Relays
Contactor Type	Sealed
Terminal Configuration	10-32 Stud

### Configuration Features

Auxiliary Switch Contact Arrangement	None
--------------------------------------	------

### Electrical Characteristics

Actuating System	DC
Coil Voltage (Max)	12 VDC
DC Contactor Coil Resistance	11 Ω
DC Contactor Coil Voltage Rating	12 VDC
DC Contactor Contact Switching Voltage (Max)	900 VDC

### Contact Features

DC Contactor Contact Arrangement	1 Form X, SPST-NO DM
DC Contactor Contact Current Rating	500 A
Pole Configuration	1

### Termination Features

Coil Termination	10-32 UNF-2A Stud
------------------	-------------------



### Mechanical Attachment

DC Contactor Mounting Type	Side Mount
----------------------------	------------

### Dimensions

Wire Size	.34 mm <sup>2</sup>
-----------	---------------------

### Packaging Features

Packaging Method	Individual
------------------	------------

### Other

Torque	80 – 100 in-lbs
--------	-----------------

## Product Compliance

[For compliance documentation, visit the product page on TE.com>](#)

EU RoHS Directive 2011/65/EU	Compliant with Exemptions
EU ELV Directive 2000/53/EC	Compliant with Exemptions
China RoHS 2 Directive MIIT Order No 32, 2016	Restricted Materials Above Threshold
EU REACH Regulation (EC) No. 1907/2006	Current ECHA Candidate List: JAN 2022 (223) Candidate List Declared Against: JAN 2022 (223) Does not contain REACH SVHC
Halogen Content	Low Halogen - Br, Cl, F, I < 900 ppm per homogenous material. Also BFR/CFR/PVC Free
Solder Process Capability	Hand solderable with lead free solder

#### Product Compliance Disclaimer

This information is provided based on reasonable inquiry of our suppliers and represents our current actual knowledge based on the information they provided. This information is subject to change. The part numbers that TE has identified as EU RoHS compliant have a maximum concentration of 0.1% by weight in homogenous materials for lead, hexavalent chromium, mercury, PBB, PBDE, DBP, BBP, DEHP, DIBP, and 0.01% for cadmium, or qualify for an exemption to these limits as defined in the Annexes of Directive 2011/65/EU (RoHS2). Finished electrical and electronic equipment products will be CE marked as required by Directive 2011/65/EU. Components may not be CE marked. Additionally, the part numbers that TE has identified as EU ELV compliant have a maximum concentration of 0.1% by weight in homogenous materials for lead, hexavalent chromium, and mercury, and 0.01% for cadmium, or qualify for an exemption to these limits as defined in the Annexes of Directive 2000/53/EC (ELV). Regarding the REACH Regulation, the information TE provides on SVHC in articles for this part number is based on the latest European Chemicals Agency (ECHA) 'Guidance on requirements for substances in articles' posted at this URL: <https://echa.europa.eu/guidance-documents/guidance-on-reach>

## Compatible Parts



TE Part # 4-1618391-1  
LEV100A5ANH=RELAY,SPST-NO  
24VDC VMT 15



TE Part # 3-1618389-2  
LEV200H4ANF=RELAY, SPST-NO

Also in the Series | **Kilovac LEV200**



DC Contactors(15)



Definite Purpose Contactors(1)

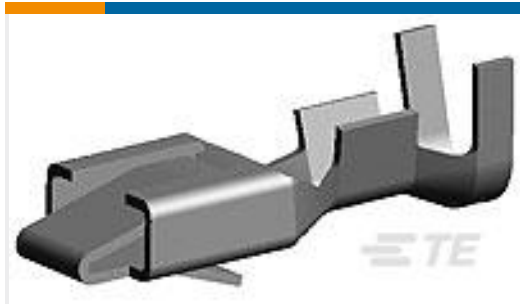


General Purpose Contactors(4)



High Voltage Relays(13)

Customers Also Bought



TE Part #640418-2  
BLADE REC 250 18-14AWG TPBR



TE Part #5-1618388-9  
LEV200A6NAF=RELAY, SPST-NO



TE Part #HDP24-24-91PN-P064  
REC, 9P, BLK, N, NO JMP, 8/12/16, P



TE Part #K1060028  
Relay 29-111-12



TE Part #K1060259  
Relay 29-511-12



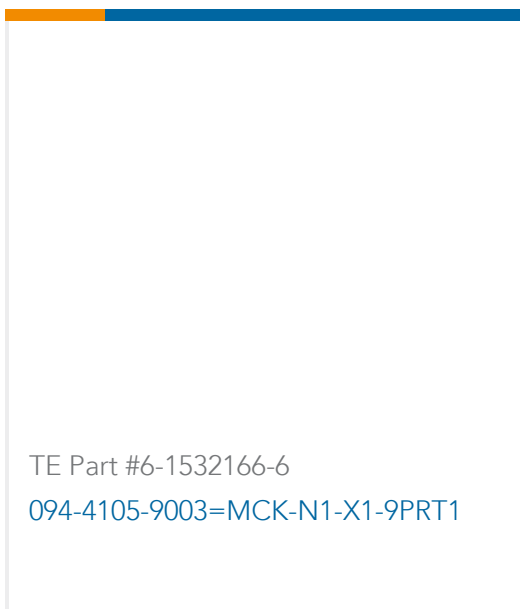
TE Part #8-1393292-4  
V23074A1001A403-SZ-CBOX



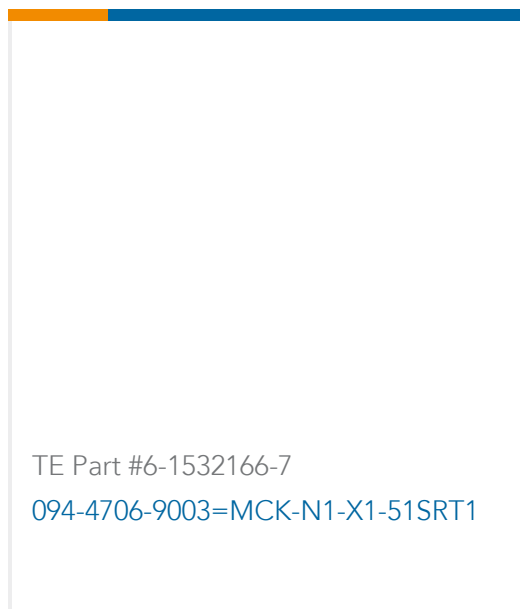
TE Part #3-1393159-3  
20C176=SPRING



TE Part #1055451-1  
LOCATOR TOOL



TE Part #6-1532166-6  
094-4105-9003=MCK-N1-X1-9PRT1



TE Part #6-1532166-7  
094-4706-9003=MCK-N1-X1-51SRT1



## Documents

### CAD Files

#### 3D PDF

3D

Customer View Model

[ENG\\_CVM\\_CVM\\_1618387-5\\_E.2d\\_dxf.zip](#)

English

Customer View Model

[ENG\\_CVM\\_CVM\\_1618387-5\\_E.3d\\_igs.zip](#)

English

Customer View Model

[ENG\\_CVM\\_CVM\\_1618387-5\\_E.3d\\_stp.zip](#)

English

By downloading the CAD file I accept and agree to the [Terms and Conditions](#) of use.

### Datasheets & Catalog Pages

[5-1773450-5\\_sec7\\_LEV200](#)

English