

# GN 817.3 | Indexing plungers with flange

Steel



**1 BASE FLANGE**  
Black-oxide steel.



**2 PLUNGER**  
Ground and black-oxide steel with hardened end.  
Suggested tolerance for matching hole = G6.



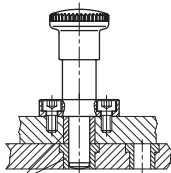
**3 KNOB**  
High-resilience polyamide based (PA) special technopolymer, black colour, matte finish.  
Standard executions  
- **GN 817.3-B:** without rest position.  
- **GN 817.3-C:** with rest position.



**6 FEATURES AND APPLICATIONS**  
GN 817.3 indexing plungers are particularly suitable for applications where precise positioning is necessary. For this purpose, they are generally used in combination with guide bushings DIN 172 (see page 680) or DIN 179 (see page 682) whose length is determined by the protrusion of the plunger (l2).

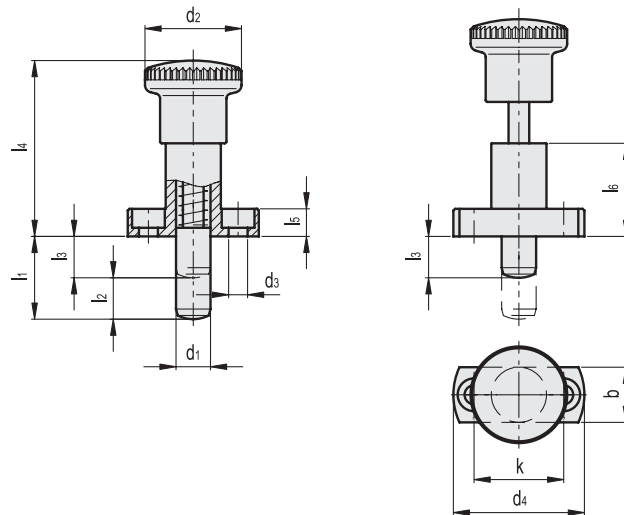


**8 ACCESSORIES ON REQUEST**  
GN 770 guide bushings in ground and hardened steel, with matching hole in G6 tolerance.



DIN 172  
DIN 179

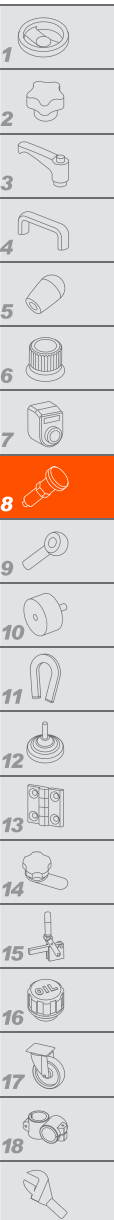
GN 817.3-B



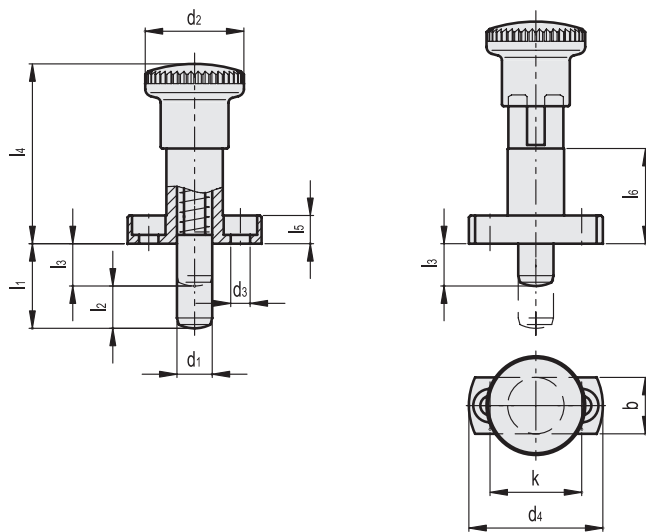
GN 817.3

Code	Description	d1 Plunger h7 Hole G6	d2	d3	d4	b	k	l1	l2	l3	l4	l5	l6	Spring preload [N]	Spring max load [N]	
GN.33971	GN 817.3-6-18-B	6	23	4.3	34	13	23	18	9	9	45	6	25	6	25	43
GN.33975	GN 817.3-6-24-B	6	23	4.3	34	13	23	24	9	15	45	6	25	6	25	46
GN.34001	GN 817.3-8-20-B	8	28	5.5	38	16	26	20	10	10	51	8	27	8.5	28	47
GN.33981	GN 817.3-8-22-B	8	28	5.5	38	16	26	22	10	12	51	8	27	8.5	28	50
GN.34011	GN 817.3-8-26-B	8	28	5.5	38	16	26	26	10	16	51	8	27	8.5	28	56
GN.33985	GN 817.3-8-30-B	8	28	5.5	38	16	26	30	10	20	51	8	27	8.5	28	60
GN.34025	GN 817.3-10-24-B	10	28	5.5	38	16	26	24	12	12	51	8	27	9.5	38	64
GN.34035	GN 817.3-10-32-B	10	28	5.5	38	16	26	32	12	20	51	8	27	9.5	38	74

Indexing and positioning elements



GN 817.3-C



GN 817.3-C

Code	Description	d1 Plunger h7 Hole G6	d2	d3	d4	b	k	l1	l2	l3	l4	l5	l6	Spring preload [N]	Spring max load [N]	⚖️
GN.33972	GN 817.3-6-18-C	6	23	4.3	34	13	23	18	9	9	45	6	25	6	25	46
GN.33976	GN 817.3-6-24-C	6	23	4.3	34	13	23	24	9	15	45	6	25	6	25	49
GN.34002	GN 817.3-8-20-C	8	28	5.5	38	16	26	20	10	10	51	8	27	8.5	28	50
GN.34012	GN 817.3-8-26-C	8	28	5.5	38	16	26	26	10	16	51	8	27	8.5	28	59
GN.34026	GN 817.3-10-24-C	10	28	5.5	38	16	26	24	12	12	51	8	27	9.5	38	67
GN.34036	GN 817.3-10-32-C	10	28	5.5	38	16	26	32	12	20	51	8	27	9.5	38	78