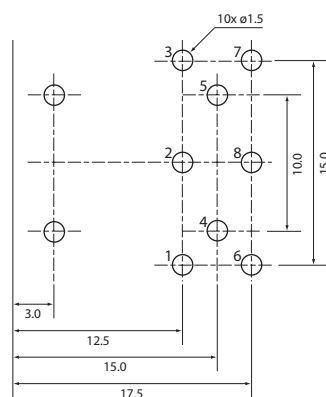
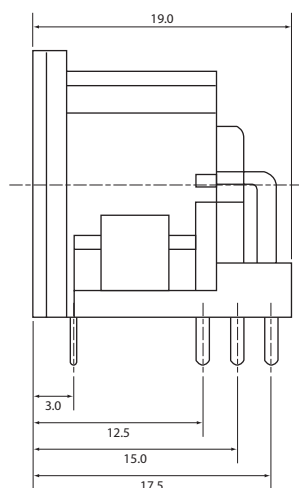
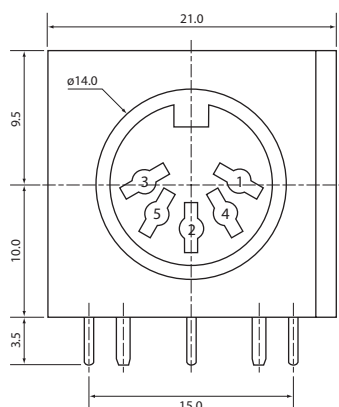
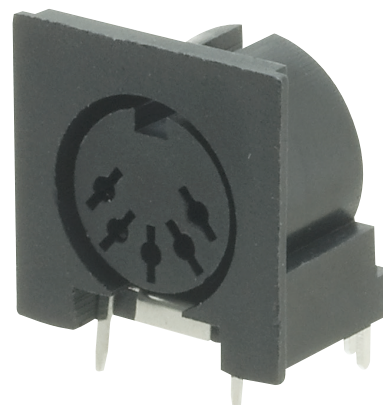


Specifications:

Voltage rating:	30V DC
Contact current rating:	1A max. per pin
Contact resistance:	30 milliohms max.
Dielectric withstanding voltage:	500V AC(rms) for 1 minute
Insulation resistance:	1000 megaohms min.
Operating temperature:	-20°C ~ to +80°C



Recommended PCB layout (tolerance = ±0.05)