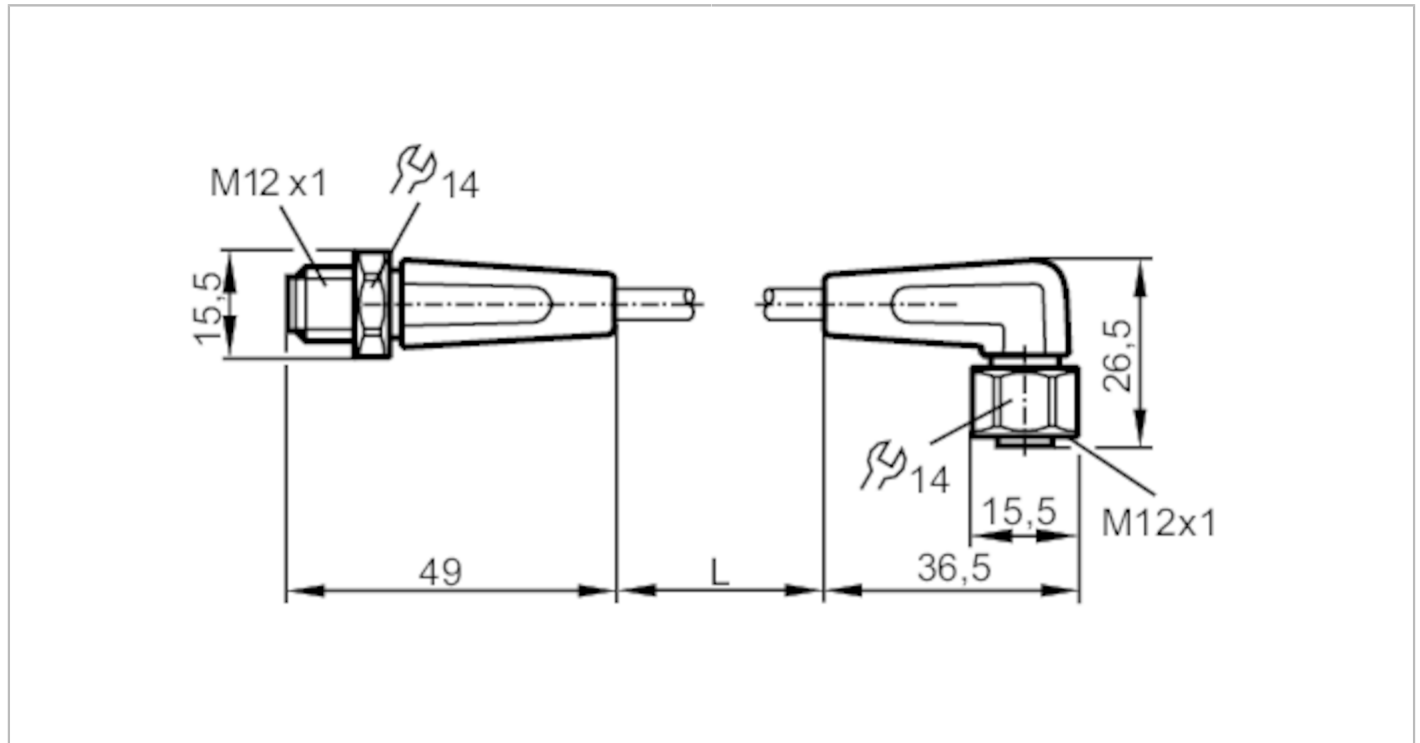


# EVT120



## Connection cable

VDOAH040VAS01,5E04STGH040VAS



| Application                          |  |
|--------------------------------------|--|
| Special feature                      | Free from silicone; Gold-plated contacts; Drag chain suitability |
| Application                          | hygienic and wet areas in the food industry                      |
| Free from silicone                   | yes  |
| Electrical data                      |  |
| Operating voltage [V]                | < 250 AC / < 300 DC  |
| Protection class                     | II   |
| Max. current load total [A]          | 4  |
| Operating conditions                 |  |
| Ambient temperature [°C]             | -25...100  |
| Note on ambient temperature          | cULus: ...50   |
| Ambient temperature (moving) [°C]    | 5...100  |
| Note on ambient temperature (moving) | cULus: ...50   |
| Protection                           | IP 65; IP 67; IP 68; IP 69K                                      |

# EVT120



## Connection cable

VDOAH040VAS01,5E04STGH040VAS

| Mechanical data        |   |  |
|------------------------|---|--|
| Weight [g]             | 87.8  |  |
| Materials              | housing: PVC orange; Sealing: EPDM                                |  |
| Material nut           | stainless steel (1.4404 / 316L) / stainless steel (1.4404 / 316L) |  |
| Drag chain suitability | yes   |  |
| Drag chain suitability | bending radius for flexible use                                   | min. 10 x cable diameter   |
|                        | travel speed  | max. 3.3 m/s for a horizontal travel length of 5 m and max. acceleration of 5 m/s <sup>2</sup> |
|                        | bending cycles  | > 1 Mio.   |
|                        | torsional strain  | ± 180 °/m  |

| Remarks       |        |
|---------------|--------|
| Pack quantity | 1 pcs. |

## Electrical connection - plug

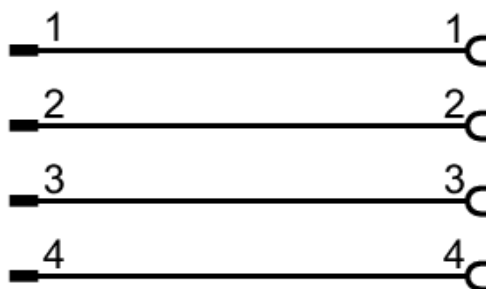
Connector: 1 x M12, straight; Locking: stainless steel (1.4404 / 316L); Contacts: gold-plated; Tightening torque: 0.6...1.5 Nm



## Electrical connection

Cable: 1.5 m, PVC, orange, Ø 4.9 mm; 4 x 0.34 mm<sup>2</sup> (42 x Ø 0.1 mm )

## Connection



## Electrical connection - socket

Connector: 1 x M12, angled; Locking: stainless steel (1.4404 / 316L); Contacts: gold-plated; Tightening torque: 0.6...1.5 Nm

# EVT120



## Connection cable

VDOAH040VAS01,5E04STGH040VAS

