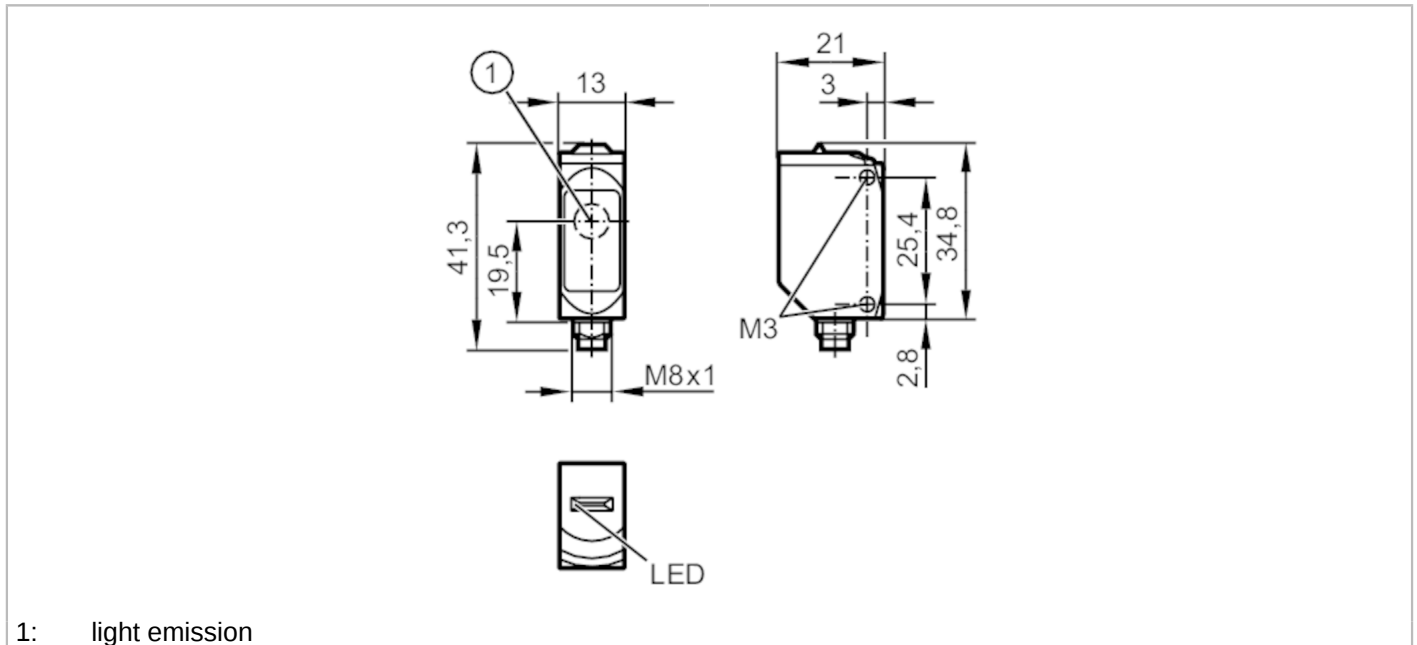


O6S302



Through-beam sensor transmitter

O6S-00KG/AS/3P



1: light emission



Product characteristics

Type of light	red light
Housing	rectangular
Dimensions [mm]	34.8 x 13 x 21

Application

Function principle	Through-beam sensor
--------------------	---------------------

Electrical data

Operating voltage [V]	10...30 DC
Current consumption [mA]	11; ((24 V))
Protection class	III
Type of light	red light
Wave length [nm]	633

Detection zone

Transmitter / receiver	transmitter
Range [m]	< 10
Max. light spot diameter [mm]	300
Light spot dimensions refer to	at maximum range

Operating conditions

Ambient temperature [°C]	-25...80
Protection	IP 65; IP 67; IP 68; IP 69K

Tests / approvals

EMC	EN 60947-5-2
MTTF [years]	2600
UL approval	UL Approval no. E002

O6S302



Through-beam sensor transmitter

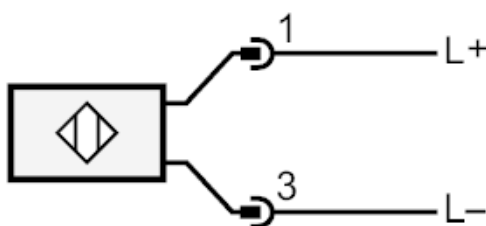
O6S-OOKG/AS/3P

Mechanical data		
Weight	[g]	33.7
Housing		rectangular
Dimensions	[mm]	34.8 x 13 x 21
Materials		housing: stainless steel (1.4404 / 316L); plastics: PPSU; Sealing: EPDM
Lens material		PMMA
Lens alignment		side lens
Displays / operating elements		
Display	operation	1 x LED, green
Remarks		
Remarks		operating voltage "supply class 2" according to cULus
Pack quantity		1 pcs.
Electrical connection		

Connector: 1 x M8



Connection



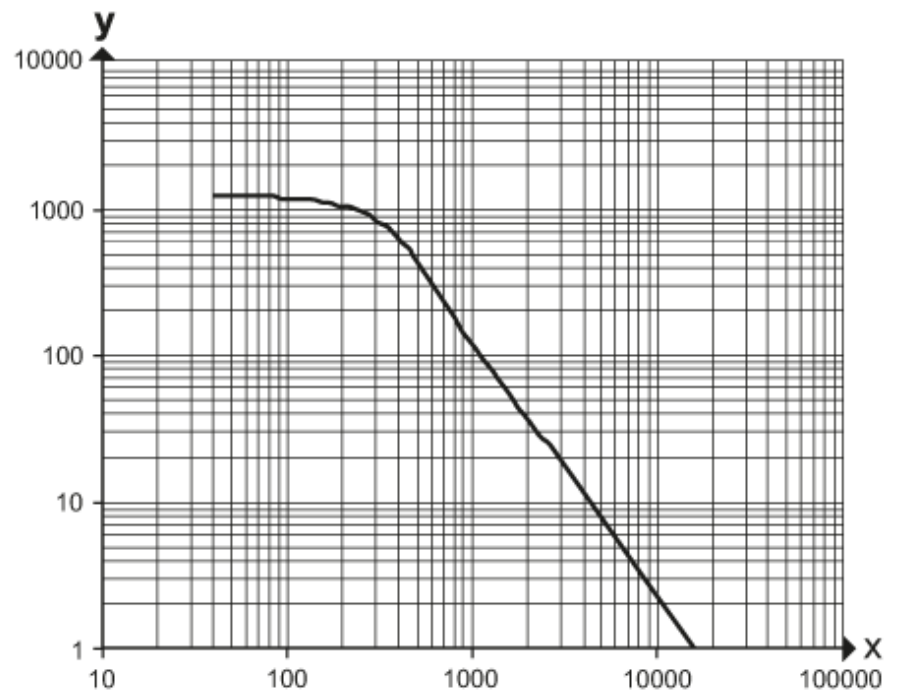


Through-beam sensor transmitter

O6S-OOKG/AS/3P

Diagrams and graphs

excess gain graph



x: distance [mm]

y: excess gain factor