

**M23 FEMALE, 90° 19 POLE**

PUR 12x0.34+3X0.75 GRAY, drag ch 15m

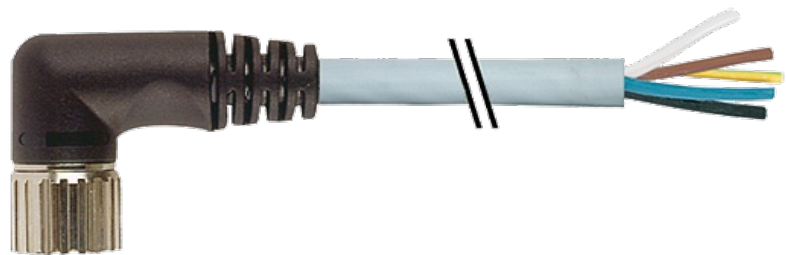
M23

Female 90°

19-pole

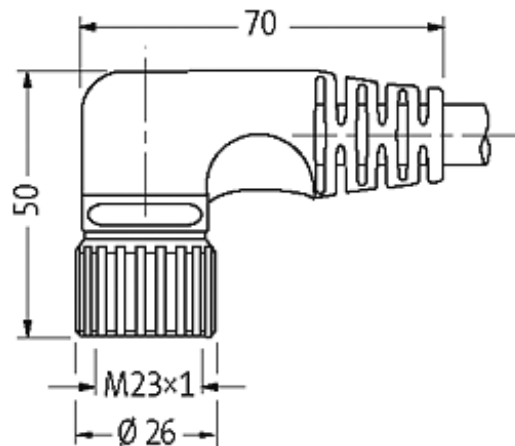
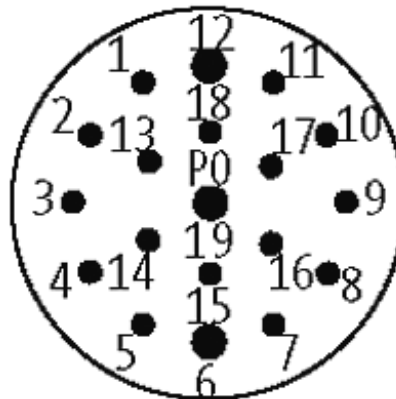
15-pole used

Further cable lengths on request. Plastic housings with good resistance against chemicals and oils. The resistance to aggressive media should be individually tested for your application. Further details on request.

[Link to Product](#)**Illustration**

15	white
7	gray/pink
5	green
4	red/blue
16	yellow
8	white/green
3	gray
14	brown/green
17	pink
9	white/yellow
2	red
13	yellow/brown
19	brown 0.75 mm <sup>2</sup>
6	blue 0.75 mm <sup>2</sup>
12	green/yellow 0.75 mm <sup>2</sup>

## Female



Product may differ from Image

**Form**

23331

**Technical Data**

Operating voltage	max. 125 V AC/DC
Operating current per contact	max. 7.5 A
Locking of ports	Screw thread M23 × 1 mm
Protection	IP67 inserted and tightened (EN 60529)

**Cables**

Cable number	388
No./diameter of wires	12×0.34 + 3×0.75 mm <sup>2</sup>
Wire isolation	PVC (yebr, rd, grpk, wh, rdbl, gn, whgn, ye, brgn, gr, whye, pk, br, gnye, bl)
C-track properties	2 Mio.
Jacket Color	gray
Shore hardness outer jacket	80 ± 5A
Material (jacket)	PUR/PVC
Outer diameter	approx. 9.8 mm

The information in this brochure has been compiled with the utmost care.

Liability for the correctness completeness and topicality of the information is restricted to gross negligence. Version: 05/15

Bend radius (fixed)	10 × outer Ø
Bend radius (moving)	12 × outer Ø
Temperature range (fixed)	-30...+80 °C
Temperature range (mobile)	-5...+70 °C

**Commercial data**

country of origin	QU
customs tariff number	85444290
minimum order quantity	1