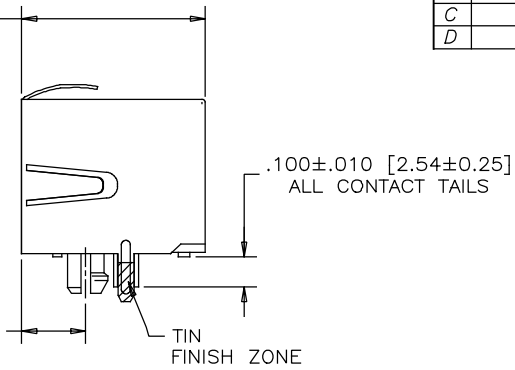
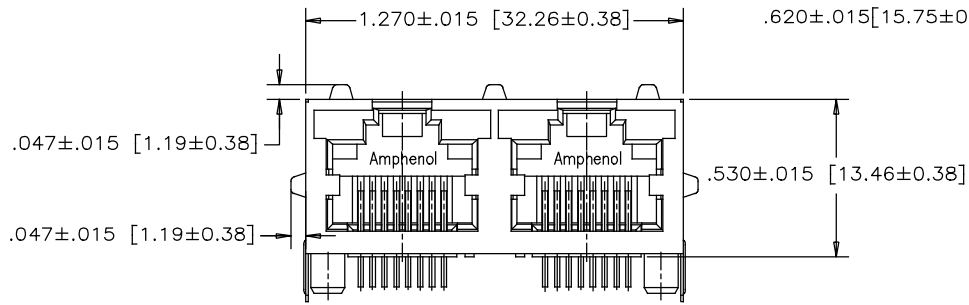


REVISIONS			
REV	DESCRIPTION, ECN, EAR NO.	DATE	APP'D
A	PROPOSAL	AUG02/13	L.CHAN
B	ADD TOLERANCE	AUG12/14	L.CHAN
C	ADD DIMENSIONS	JUL04/16	L.CHAN
D	CHANGE TO TIN FINISH	JUN20/17	L.CHAN



∅.035±.002  
[∅0.89±0.05]  
HOLES 16 REQ'D

FRONT VIEW

∅.062±.002  
[∅1.57±0.05]  
HOLES 2 REQ'D

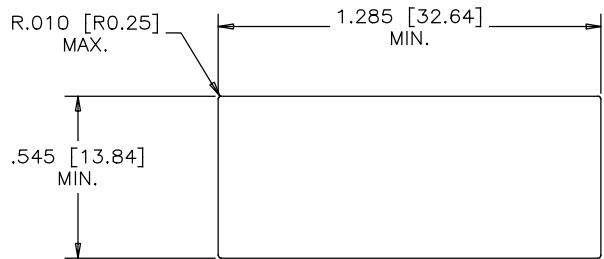
∅.128±.002  
[∅3.25±0.05]  
2 HOLES REQ'D.  
[USE 3.25MM DRILL BIT  
TO DRILL HOLE DIAM]

.110 [2.79]  
.040 [1.02] TYP.  
.080 [2.03] TYP.

.620 [15.75]  
.070 [1.78]

LOCATE HOLES  
⊕ ∅.005 [0.13]  
POSITION DIMENSIONS  
ARE BASIC

RECOMMENDED P.C.B. LAYOUT  
(COMPONENT SIDE OF BOARD)



RECOMMENDED PANEL CUTOUT



**MATERIALS:**

PLASTIC HOUSING: HIGH TEMPERATURE THERMOPLASTIC  
FLAMMABILITY RATING UL 94V-0,  
COLOUR: BLACK

**CONTACTS:**

PHOSPHOR BRONZE  
PLATING: 50 u" [1.27 MICRONS]  
MIN. GOLD ON MATING SURFACES.  
50 u" [1.27 MICRONS]  
MIN. NICKEL UNDERPLATE  
100 u" [2.54 MICRONS]  
MIN. MATTE TIN ON CONTACT TAILS.

**SHIELD:**

STAINLESS STEEL WITH TIN FINISH ON PCB TAILS.

PART NUMBER: RJHSE-5380-02

UNLESS SPECIFIED OTHERWISE	DRAWN AMY.Z	DATE AUG02/14
PRIMARY UNITS INCH	CHECKED L.CHAN	AUG02/14
SECONDARY MILLIMETERS	M.E. APP'D	
REFERENCE IN PARENTHESES	Q.A. APP'D	
GENERAL TOLERANCES	DWG APPR.	
1 DECIMAL PLACE	ENG. REL. NO.	
2 DECIMAL PLACES ±0.020	REF.	
3 DECIMAL PLACES ±0.015	THIRD ANGLE PROJECTION	DO NOT SCALE DRAWING
ANGULAR DEGREES ±1.0°		

<b>Amphenol Canada Corp.</b> www.amphenolcanada.com	
TITLE 2 PORT HIGH SPEED MODULAR JACK, 8P8C, SHIELDED, WITHOUT LED OPTIONS - RoHS COMPLIANT	
DWG. NO.	REV
P-RJHSE-5380-02	D
CODE ID NO. 03554   DWG SIZE: C   SCALE: N/A   SHEET 1 OF 1	

THIS DOCUMENT CONTAINS PROPRIETARY INFORMATION AND SUCH INFORMATION MAY NOT BE DISCLOSED TO OTHERS FOR ANY PURPOSE OR USED FOR MANUFACTURING PURPOSES WITHOUT WRITTEN PERMISSION FROM AMPHENOL CANADA CORP.