

Dot laser, red, 650 nm, 5 mW

LFD650-5-3(8x23)-F3000
Order Number: 70140583

Main Parameters (*)	min	typ	max	Unit
Wavelength		650		nm
Optical Diode Power		5		mW
Operating Voltage	2.6	3	3.3	V DC
Operating Current	10	20	30	mA
Operating Temperature	-20		40	°C
Storage Temperature	-40		80	°C

Main Data

Warranty	1 years
----------	---------

Technical Parameters

Lifetime	> 3,000 h
RoHS	yes

Optical Parameters

Beam Shape	Dot
Laser Class	3R
Divergence	G - 0.8 mrad
Beam Diameter	3.5 mm
Size of Laserdot	<3..4mm@3m
Operating Distance	3 m
Optics	acryl lense
Laser technology	diode
Focus	fixed (3000mm)

Electrical Parameters

Potential of Housing	VDD(+)
----------------------	--------

Mechanical Parameters

Size	Ø8x23 mm
Material	Brass
Cable length	100 mm
Wire type	26AWG, 0,14mm ²
Output Aperture	3.5 mm
Weight	3.5 g

(*) Over the complete operating temperature range

Features

- Operating Voltage 3 V DC
- Laser Class 3R
- Compact size
- Fixed focus
- Low cost

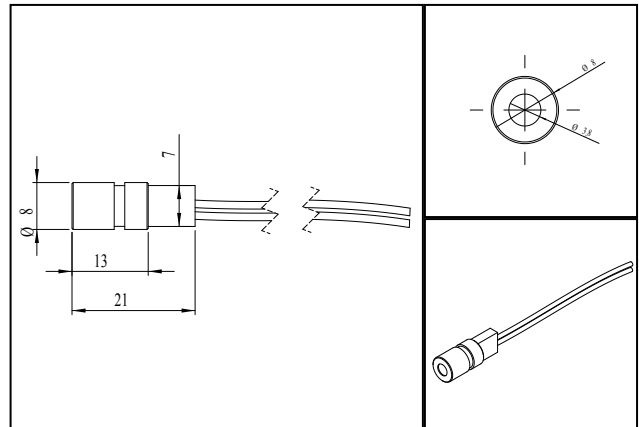
Picture



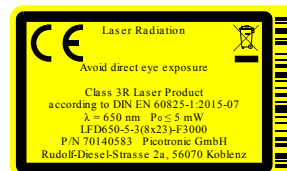
Cable color

Ground		white	GND
positive		red	2.6 - 3.3, typ 3 V DC

Drawing



Safety Label



Valid Revision

| 24-AUG-2021