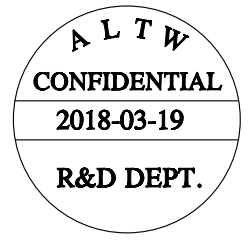
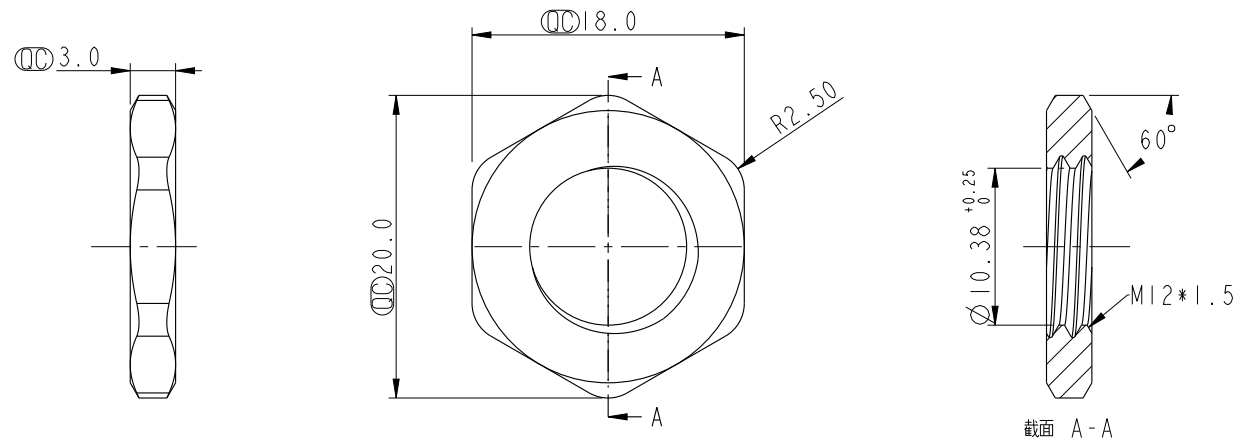


THIS DOCUMENT IS SUBJECT TO CHANGE WITHOUT NOTICE. IT IS CONFIDENTIAL AND A PROPERTY OF AMPHENOL LTW. DISCLOSURE TO THIRD PARTY HAS TO BE AUTHORIZED BY AMPHENOL LTW.

REV.	ECN NO.	DATE	SIGN	DESCRIPTION
A	Initial Release	2018/03/19	Ethan	



Note:
 * \varnothing Important Dimension.
 * Material: Brass C3604
 * Finish: Nickel Plated 120u''
 * 需耐鹽霧測試48H
 * M12*1.5以二級牙規為牙徑檢驗標準及實配為牙徑檢驗標準，飽牙度80%以上

UNIT: mm		
TOLERANCE		
.X	±0.25	
.XX	±0.1	
.XXX	±0.05	
ANGLES	±1°	

TITLE NUT (M12*1.5)		
SCALE 2:1	SIZE A4	SHEET 1 OF 1
REV. A	WC-REV. A.1	\varnothing : Inspection item

Amphenol LTW
安費諾亮泰企業股份有限公司

ITEM NO. APTM-AMBPA012-001	DRAWN BY Ethan	DATE 2018-03-19
DWG NO. APTM-AMBPA012-001	CHECKED BY Feng-li	DATE 2018-03-19
CUSTOMER ALTW	APPROVED BY Jerry	DATE 2018-03-19