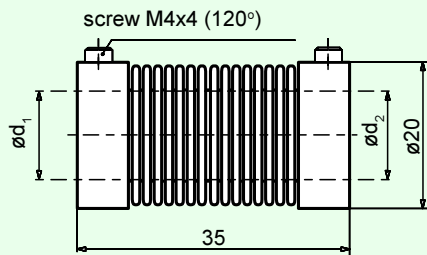


Bellows coupling 9409

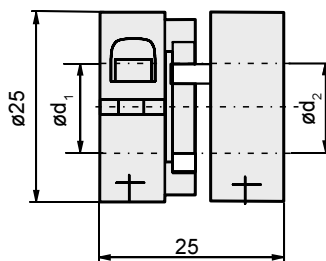


d_1	6	6	6	10	12
d_2	6	8	10	10	12

Technical Data

Max. rpm	8000 min ⁻¹
Nominal torque	0.8 Nm
Max. radial mismatch	± 0.3 mm
Max. angle error	± 4 Grad
Max. axial mismatch	± 0.5 mm
Moment of inertia	22 kgm ² · 10 ⁻⁷
Binding posts	M4 (DIN 916)
Max. torque	150 Ncm
Material	Cu Zn 20 nickel-faced
Weight	≈ 34 g

Precision coupling 9410

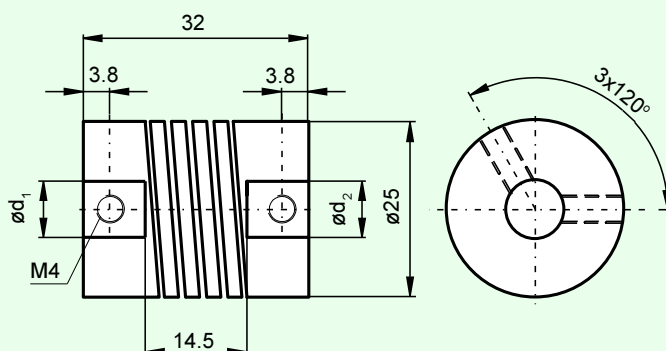


d_1	6	10	12	12	16
d_2	6	10	12	12	16

Technical Data

Max. rpm	15 000 min ⁻¹
Nominal torque	1 Nm
Max. radial mismatch	0.5 mm
Max. angle error	1.5 °
Max. axial mismatch	0.3 mm
Moment of inertia	20 kgm ² · 10 ⁻⁷
Binding posts	M3
Max. torque	130 Ncm
Material	Delrin 107, AlMgSi 1 hard covered
Weight	≈ 25 g

Coupling KW- d_1/d_2



d_1	d_2	order number
6	6	KW-6/6
6	8	KW-6/8
6	10	KW-6/10
10	10	KW-10/10
12	12	KW-12/12

Technical Data

Max. rpm	8000 min ⁻¹
Nominal torque	0.8 Nm
Max. radial mismatch	± 0.3 mm
Max. angle error	± 4 °
Max. Axialversatz	± 0.5 mm
Moment of inertia	22 kgm ² · 10 ⁻⁷
Binding posts	M4 (DIN 916)
Max. torque	150 Ncm
Material	Cu Zn 20 nickel-faced
Weight	≈ 34 g