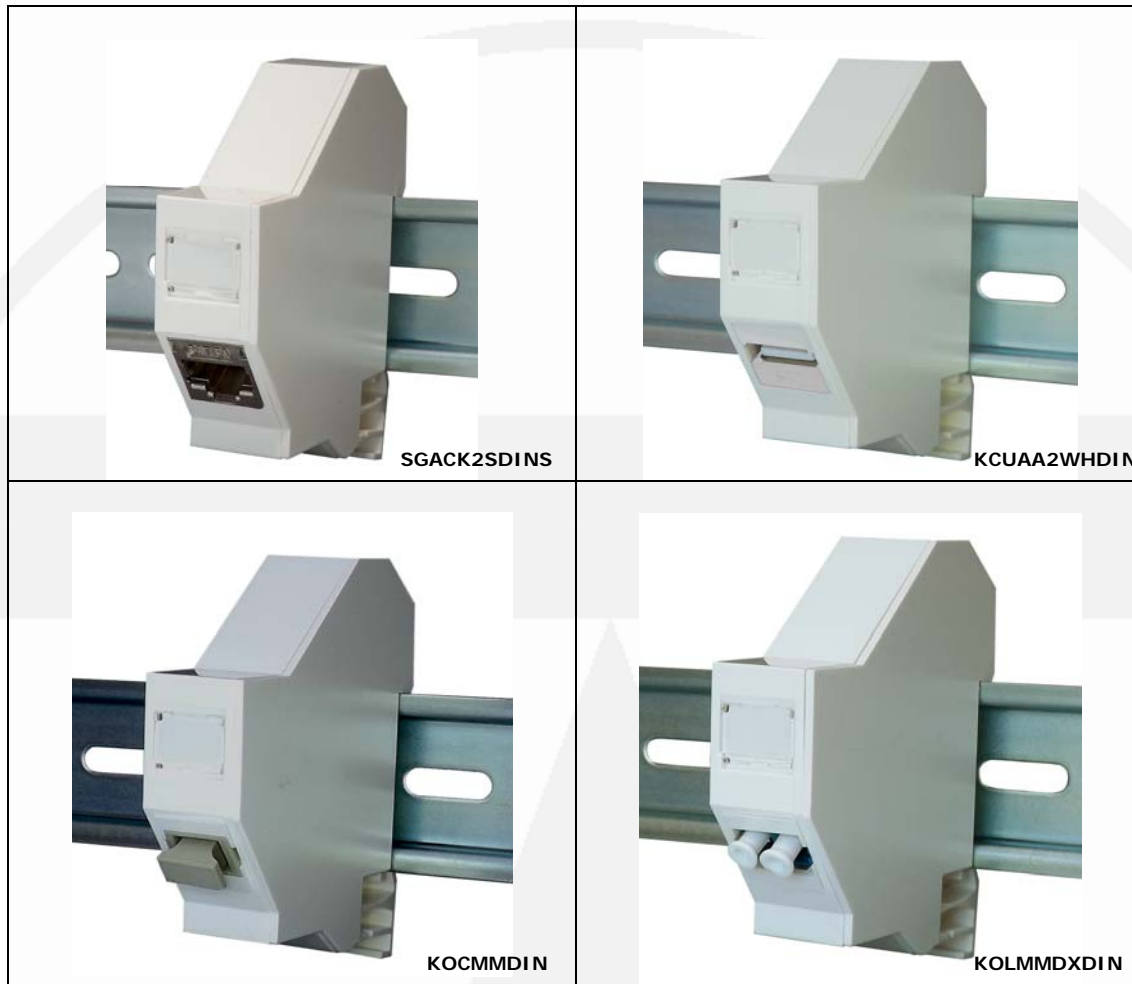


DIN rail mountable connector range



The DIN rail mountable connector range allows the performance and reliability of our standard connectors to be combined with the simplicity, affordability and usability of industrial DIN rail mounting. These connectors offer clear labelling, front access and easy installation onto any 35mm standard DIN rail. The range consists of connectors for installations of fibre (SC and LC), USB2 and Category 5/6/6A (coupler and socket).

Features

- High performance couplers and sockets
- Designed for standard 35mm wide DIN rails
- Easily mountable side by side on DIN rail. Side covers can be omitted if space is restricted.
- Easy access to the connector and wiring through removable side covers
- Angled presentation provides gravity compensation for patch leads
- 'Slip-in' label facility for clear labelling
- Installation does not require any special tools – the module slides or clips easily onto the DIN rail

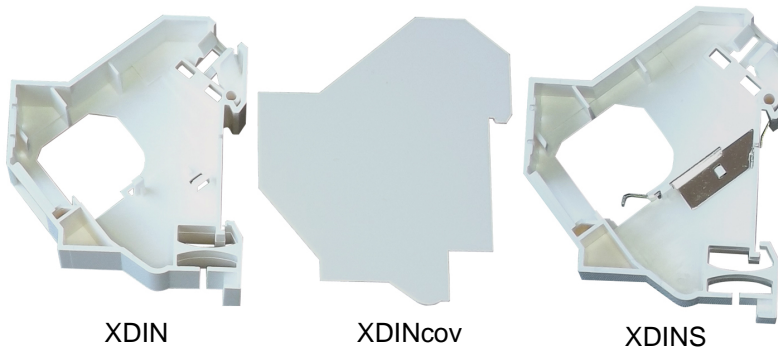
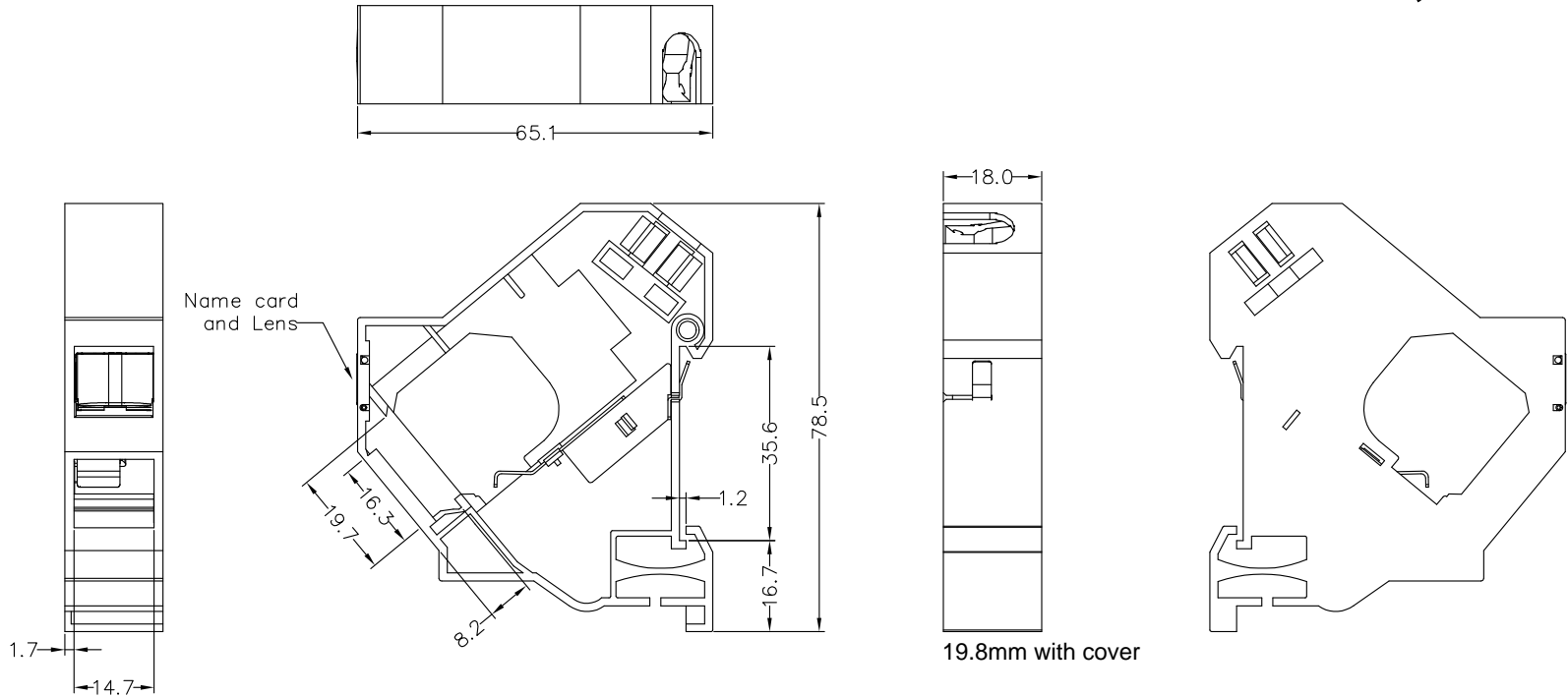
- Outstanding value

Specifications

- Kit includes coupler/socket, DIN rail adaptor (shielded or unshielded) and cover
- Adaptor housing materials: PC + ABS, 94V-0 (for connector materials see detailed specification)
- For detailed specifications of each connector see separate pages as follows:
 - Cat 6A FTP keystone coupler (for SGACK2SDINS):
http://www.tuk.co.uk/tuk_live/product_details.php?category_id=&pld=150
 - Cat 6A FTP keystone jack (for SGKSSUDINS):
http://www.tuk.co.uk/tuk_live/product_details.php?category_id=&pld=113
 - USB2 coupler (for KCUAA2WHDIN):
http://www.tuk.co.uk/tuk_live/product_details.php?category_id=&pld=224
 - Fibre connectors (for KOCMMDIN, KOCSMDIN, KOLMMDXDIN and KOLSMDXDIN):
http://www.tuk.co.uk/tuk_live/product_details.php?category_id=&pld=209

ROHS Compliant

Code:XDIN, XDINS



Specifications:

1. Housing + Lens: PC + ABS, 94 V-0
2. Shielding plate: Nickel plated phosphor bronze
3. Card board: White paper