

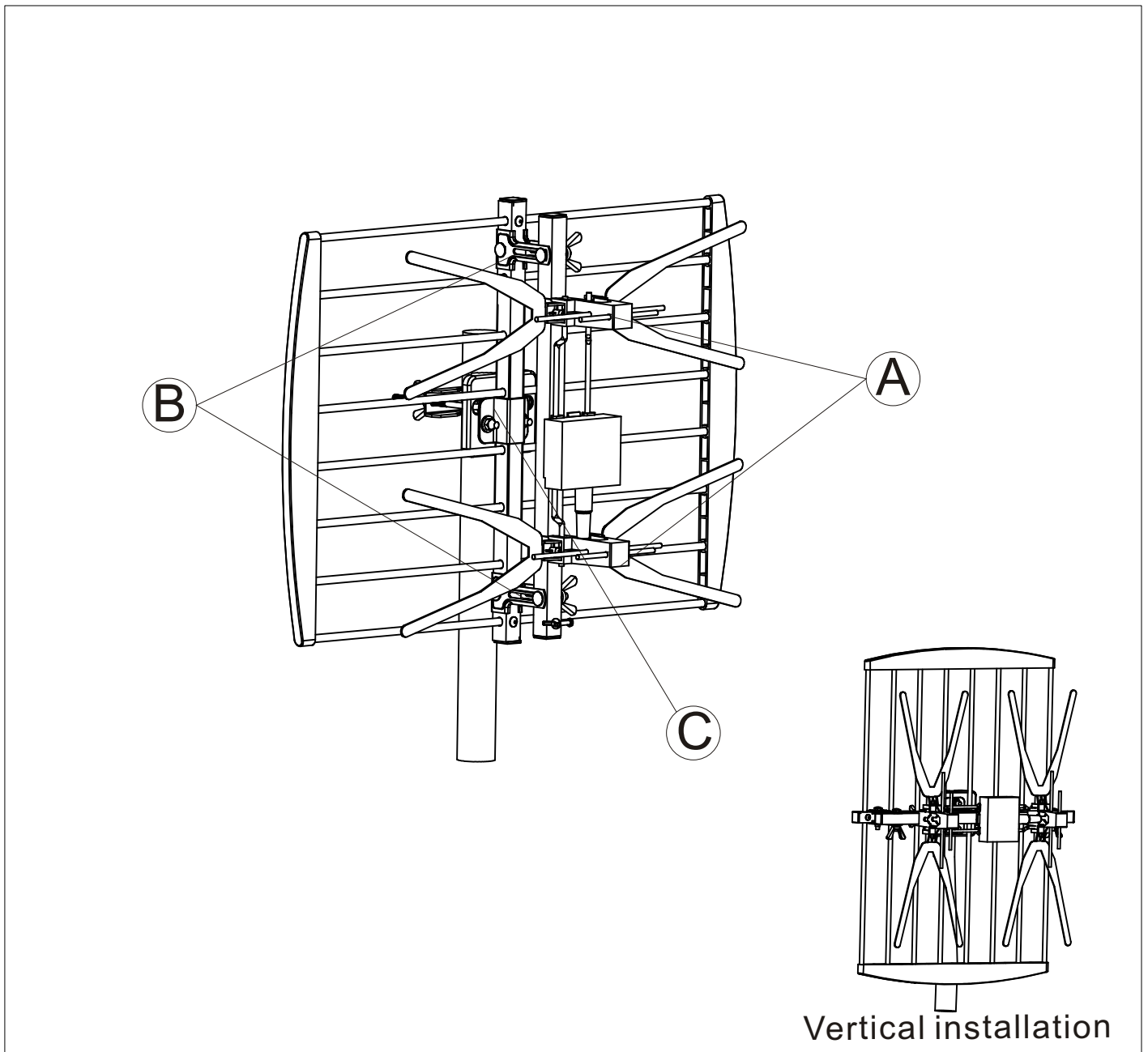
Model #30-2420
Dual Bowtie UHF/HDTV Television Antenna

Distributed exclusively by:
MCM Electronics
www.mcmelectronics.com

Technical data:

| Frequency | Channel | Imped | No. of elements | Gain | Front-back ratio | Beam width | Length |
|-------------|-----------|-------------|-----------------|-------|------------------|------------|--------|
| 470~862 MHz | Ch. 21-69 | 75 Ω | 2 | 6-8dB | 22dB | H60° | 400mm |

Antenna connection:



Antenna Assembly

