



Alcoswitch

TE Internal #: 1437603-2

Pushwheel Switches, 1-2-4-8 BCD Code Type, .4VA Pushwheel

Switch Contact Current Rating, 10 Position, Snap Detent, 0-9 Wheel

Markings

[View on TE.com >](#)

Relays, Contactors & Switches > Switches > Pushwheel Switches

Code Type: **1-2-4-8 BCD**

Pushwheel Switch Contact Current Rating: **.4 VA**

Number of Pushwheel Switch Positions: **10**

Pushwheel Switch Mounting Type: **Snap Detent**

Repeating Readout: **Without**

Features

Product Type Features

Product Type	Switch
Code Type	1-2-4-8 BCD

Configuration Features

Number of Pushwheel Switch Positions	10
Repeating Readout	Without
Configuration (Pole-Throw)	Single Pole - Single Throw

Contact Features

Contact Base Material	Copper Alloy
Pushwheel Switch Contact Current Rating	.4 VA

Termination Features

Termination Type	Card Edge Tabs
------------------	----------------

Mechanical Attachment

Pushwheel Switch Mounting Type	Snap Detent
Pushwheel Switch Mounting Location	Front

Identification Marking

Wheel Markings	0-9
----------------	-----

Product Compliance

[For compliance documentation, visit the product page on TE.com>](#)

EU RoHS Directive 2011/65/EU	Compliant
------------------------------	-----------



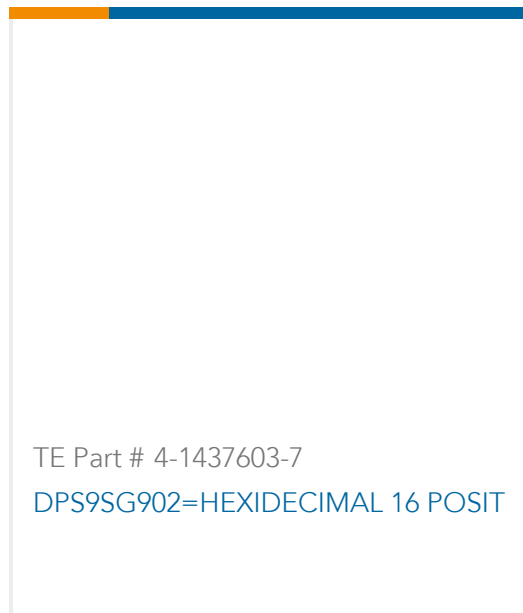
EU ELV Directive 2000/53/EC	Compliant
China RoHS 2 Directive MIIT Order No 32, 2016	No Restricted Materials Above Threshold
EU REACH Regulation (EC) No. 1907/2006	Current ECHA Candidate List: JAN 2021 (211) Candidate List Declared Against: JAN 2018 (181) SVHC > Threshold: Not Yet Reviewed
Halogen Content	Not Low Halogen - contains Br or Cl > 900 ppm.
Solder Process Capability	Not applicable for solder process capability

Product Compliance Disclaimer

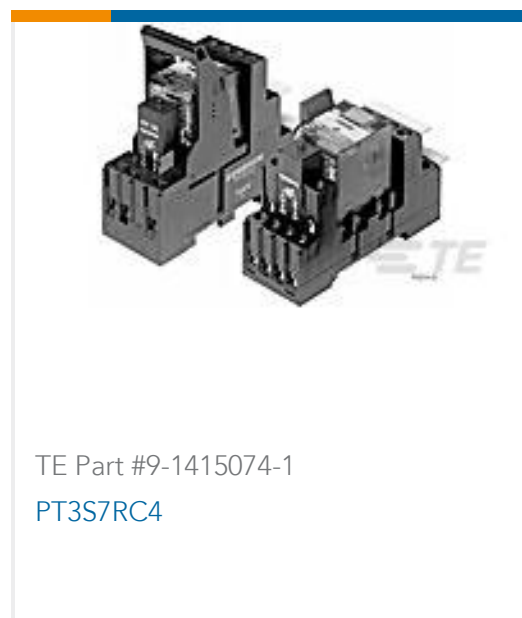
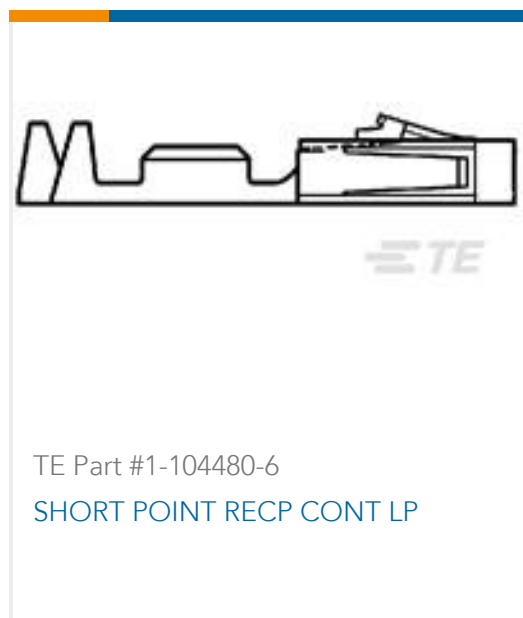
This information is provided based on reasonable inquiry of our suppliers and represents our current actual knowledge based on the information they provided. This information is subject to change. The part numbers that TE has identified as EU RoHS compliant have a maximum concentration of 0.1% by weight in homogenous materials for lead, hexavalent chromium, mercury, PBB, PBDE, DBP, BBP, DEHP, DIBP, and 0.01% for cadmium, or qualify for an exemption to these limits as defined in the Annexes of Directive 2011/65/EU (RoHS2). Finished electrical and electronic equipment products will be CE marked as required by Directive 2011/65/EU. Components may not be CE marked. Additionally, the part numbers that TE has identified as EU ELV compliant have a maximum concentration of 0.1% by weight in homogenous materials for lead, hexavalent chromium, and mercury, and 0.01% for cadmium, or qualify for an exemption to these limits as defined in the Annexes of Directive 2000/53/EC (ELV). Regarding the REACH Regulation, the information TE provides on SVHC in articles for this part number is based on the latest European Chemicals Agency (ECHA) 'Guidance on requirements for substances in articles' posted at this URL: <https://echa.europa.eu/guidance-documents/guidance-on-reach>

Compatible Parts

 <p>TE Part # 3-1437603-8 DPS9131AK=1-2-4-8 BCD CODE</p>	 <p>TE Part # 1-1437603-2 DPS8131AK=1-2-4-8 BCD CODE</p>	 <p>TE Part # 3-1437603-5 DPS910P=END MOUNTING PLATE PAI</p>	 <p>TE Part # 2-1437603-9 DPS8PW=END MOUNTING PLATE</p>
 <p>TE Part # 1-1437603-1 DPS8111AK=DECIMAL CODE (1-OF-1)</p>	 <p>TE Part # 1437603-7 DPS10301AK=HEXADECIMAL CODE SE</p>	 <p>TE Part # 3-1437603-6 DPS9111AK=BCD COMPLEMENT CODE</p>	 <p>TE Part # 3-1437602-6 SP1.5=STOP PIN 1.5 MM</p>



Customers Also Bought



Documents

Product Drawings

[DPS10131AK2=PUSHWHEEL DPS](#)

English

CAD Files

[3D PDF](#)

[3D](#)

[Customer View Model](#)

[ENG_CVM_CVM_1437603-2_99.2d_dxf.zip](#)



English

Customer View Model

[ENG_CVM_CVM_1437603-2_99.3d_igs.zip](#)

English

Customer View Model

[ENG_CVM_CVM_1437603-2_99.3d_stp.zip](#)

English

By downloading the CAD file I accept and agree to the [Terms and Conditions](#) of use.

Datasheets & Catalog Pages

[SWITCHES_CORE_PROGRAM_CATALOG](#)

English