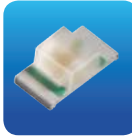
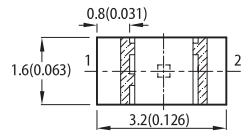
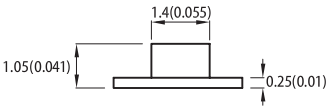
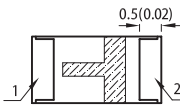
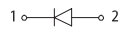

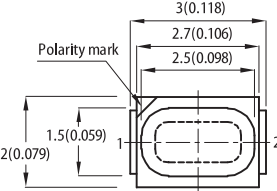
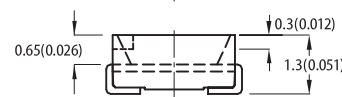
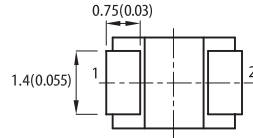
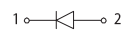
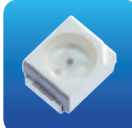
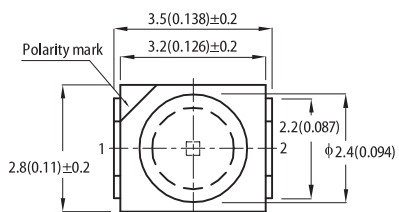
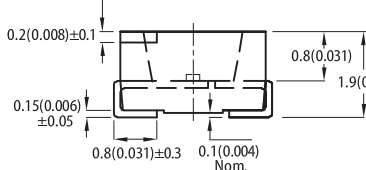
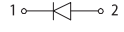


REVERSE MOUNT SMD LED

Part Number	Material	λ_D (nm)	Lens Type	Iv (mcd) @20mA		Viewing Angle	Dimensions
				Min.	Typ.		
KPTR-3216SURCK	AlGaInP	630	water clear	40	80	140°	3.2mm x 1.6mm x 1.05mm (1206 Reverse Mount)  KPTR-3216     Units: mm (inch) Tolerance: ± 0.2 (0.008)
KPTR-3216SECK	AlGaInP	605	water clear	80	180	140°	
KPTR-3216SYCK	AlGaInP	590	water clear	80	150	140°	
KPTR-3216CGCK	AlGaInP	570	water clear	20	50	140°	
KPTR-3216ZGC	InGaN	525	water clear	300	600	140°	
KPTR-3216QBC-D	InGaN	465	water clear	40	100	140°	

TOP-EMITTING PLCC SMD LED

Part Number	Material	λ_D (nm)	Lens Type	Iv (mcd) @20mA		Viewing Angle	Dimensions
				Min.	Typ.		
KA-3021SURSK	AlGaInP	630	water clear	40	90	120°	3.0mm x 2.0mm x 1.3mm  KA-3021     Units: mm (inch) Tolerance: ± 0.2 (0.008)
KA-3021SGS	GaP	568	water clear	12	20	120°	
KA-3021CGSK	AlGaInP	570	water clear	40	80	120°	
KA-3021ZGS	InGaN	525	water clear	400	800	120°	
KA-3021QBS-D	InGaN	465	water clear	80	120	120°	
KA-3528SURCKT	AlGaInP	630	water clear	55	100	120°	3.5mm x 2.8mm x 1.9mm  KA-3528    Units: mm (inch) Tolerance: ± 0.25 (0.01)
KA-3528SECKT	AlGaInP	605	water clear	120	230	120°	
KA-3528SYCKT	AlGaInP	590	water clear	120	250	120°	
KA-3528CGCKT	AlGaInP	570	water clear	40	100	120°	
KA-3528ZGCKT	InGaN	525	water clear	500	1000	120°	
KA-3528VBS-D	InGaN	470	water clear	300	450	120°	
KA-3528QBS-D	InGaN	465	water clear	80	150	120°	

NOTES:

1. KP series custom-made is available upon request.
2. Luminous intensity value is traceable to CIE127-2007 standards.