



Z-Type Marker

TE Internal #: EC0225-000

Pre-Printed Markers, Push-On, 7 Marker Size, White, Straight Cut, C Printed Marking, Width 4.5 mm [.177 in], Black, Flexible PVC, Z-Type Marker

[View on TE.com >](#)

Identification & Labeling > Pre-Printed Markers > Z-Type Push-On Markers



Marker Style: **Push-On**

Marker Size: **7**

Compatible Cable Diameter Range: **2 – 3.2 mm [.08 – .13 in]**

Primary Product Color: **White**

Marker Cut: **Straight**

[All Z-Type Push-On Markers \(2227\)](#)

Features

Body Features

Marker Style	Push-On
Marker Size	7
Primary Product Color	White
Primary Product Material	Flexible PVC

Dimensions

Compatible Cable Diameter Range	2 – 3.2 mm [.08 – .13 in]
Product Width	4.5 mm [.177 in]

Printer/Label Features

Marker Cut	Straight
Printed Marking	C

Packaging Features

Packaging Method	Box
Packaging Quantity	1000

Other

Printed Marking Color	Black
-----------------------	-------



Product Compliance

[For compliance documentation, visit the product page on TE.com>](#)

EU RoHS Directive 2011/65/EU	Compliant
EU ELV Directive 2000/53/EC	Compliant
China RoHS 2 Directive MIIT Order No 32, 2016	No Restricted Materials Above Threshold
EU REACH Regulation (EC) No. 1907/2006	Current ECHA Candidate List: JUNE 2022 (224) Candidate List Declared Against: JUNE 2022 (224) Does not contain REACH SVHC
Halogen Content	Not Low Halogen - contains Br or Cl > 900 ppm.
Solder Process Capability	Not applicable for solder process capability

Product Compliance Disclaimer

This information is provided based on reasonable inquiry of our suppliers and represents our current actual knowledge based on the information they provided. This information is subject to change. The part numbers that TE has identified as EU RoHS compliant have a maximum concentration of 0.1% by weight in homogenous materials for lead, hexavalent chromium, mercury, PBB, PBDE, DBP, BBP, DEHP, DIBP, and 0.01% for cadmium, or qualify for an exemption to these limits as defined in the Annexes of Directive 2011/65/EU (RoHS2). Finished electrical and electronic equipment products will be CE marked as required by Directive 2011/65/EU. Components may not be CE marked. Additionally, the part numbers that TE has identified as EU ELV compliant have a maximum concentration of 0.1% by weight in homogenous materials for lead, hexavalent chromium, and mercury, and 0.01% for cadmium, or qualify for an exemption to these limits as defined in the Annexes of Directive 2000/53/EC (ELV). Regarding the REACH Regulation, the information TE provides on SVHC in articles for this part number is based on the latest European Chemicals Agency (ECHA) 'Guidance on requirements for substances in articles' posted at this URL: <https://echa.europa.eu/guidance-documents/guidance-on-reach>

Compatible Parts

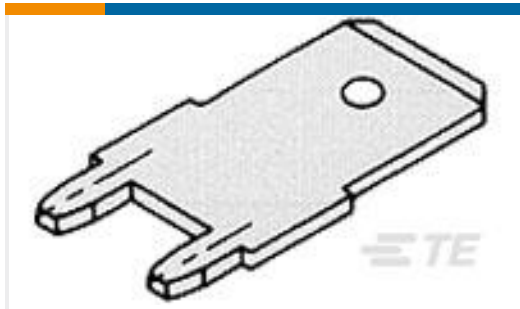


Also in the Series | [Z-Type Marker](#)



Pre-Printed Markers(2211)

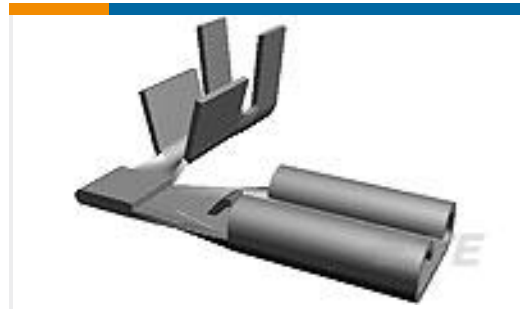
Customers Also Bought



TE Part #62409-1
250 FASTON TAB TPBR



TE Part #41772
250 FASTON REC 22-18 AWG TPBR



TE Part #62336-1
110 FASTON FLAG REC 22-18 AWG TPBR



TE Part #350566-7
MINI AMP-IN 22-18 AWG POST TIN PLTD



TE Part #1734795-1
RJ45,8P8C,SHD,W/O LED,DIP 6u"



TE Part #EC0249-000
Z-Type Push-On Markers



TE Part #EC2040-000
07191400

Documents

Product Drawings

05811912

English

Datasheets & Catalog Pages

Z-TYPE Marker Technical datasheet

English

Z-type Wire & Cable Markers

English