

TECHNICAL SPECIFICATIONS

D-Sub Hood:

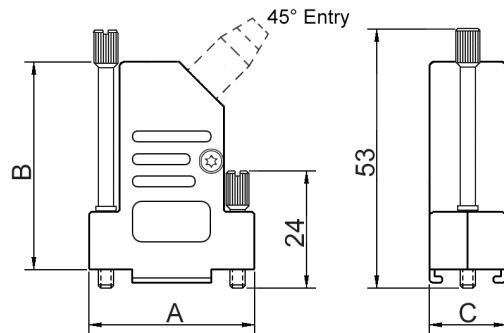
Material: Zinc, Nickel Plated
 Operating Temperature: -40°C to +120°C
 Cable Entry: 45° Side Entry
 Rubber Grommet RGS
 Strain relief: Clamp + Insert
 Thumbscrews: **Long Jackscrews**
 UNC 4-40 (Standard)
 M2,5 or M3 on request
 Cable O.D: Up to 11.5mm

Male D-Sub Solder Cup:

Insulator: PBT, Black, UL94 V-0
 Shell: Steel, Tin Plated
 Contact pins: Copper Alloy
 Stamped & Formed Pins: Class 3, 100 inserts min.
 Machined Contact Pins: Class 1, 500 inserts min.
 Contact Plating: Selective Gold over Nickel
 Operating Temperature: -55°C to +105°C
 Withstanding voltage: 1000V for 1 minute
 Insulator resistance: 1000MΩ min.

Features:

- Full Metal D-Sub hood
- Long Jackscrews
- Universal Rubber Grommet
- 360° EMI Shielding
- Quick assembly
- Pre-mounted locking screws
- Supports all types of cables
- Suitable for any common D-Sub connector
- Available in Sizes 9-15-25-37



Size DTSL	Dim A	Dim B	Dim C
9-way	32,2	42,0	15,0
15-way	40,8	42,3	15,0
25-way	54,0	42,3	15,0
37-way	70,5	48,0	15,0

Ordering information - Black Insulator:

Size:	P/N - Kitted:	Class 3 - 100 inserts min.
9-way	6355-0042-01	DTSL09-LJSRG-S-DBP-K
15-way	6355-0042-02	DTSL15-LJSRG-S-DBP-K
25-way	6355-0042-03	DTSL25-LJSRG-S-DBP-K
37-way	6355-0042-04	DTSL37-LJSRG-S-DBP-K

Size:	P/N - Kitted:	Class 1 - 500 inserts min.
9-way	6355-0042-21	DTSL09-LJSRG-S-DMP-K
15-way	6355-0042-22	DTSL15-LJSRG-S-DMP-K
25-way	6355-0042-23	DTSL25-LJSRG-S-DMP-K
37-way	6355-0042-24	DTSL37-LJSRG-S-DMP-K

Ordering information - White Insulator:

Size:	P/N - Kitted:	Class 3 - 100 inserts min.
9-way	6355-8042-01	DTSL09-LJSRG-S-DBP-W-K
15-way	6355-8042-02	DTSL15-LJSRG-S-DBP-W-K
25-way	6355-8042-03	DTSL25-LJSRG-S-DBP-W-K
37-way	6355-8042-04	DTSL37-LJSRG-S-DBP-W-K

Size:	P/N - Kitted:	Class 1 - 500 inserts min.
9-way	6355-8042-21	DTSL09-LJSRG-S-DMP-W-K
15-way	6355-8042-22	DTSL15-LJSRG-S-DMP-W-K
25-way	6355-8042-23	DTSL25-LJSRG-S-DMP-W-K
37-way	6355-8042-24	DTSL37-LJSRG-S-DMP-W-K

