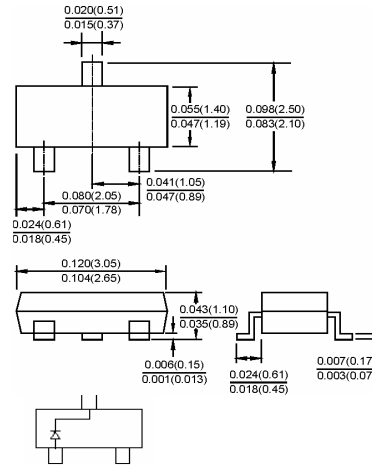




Features

- ✧ Fast switching speed
- ✧ For general purpose switching applications
- ✧ High conductance
- ✧ Marking: A6



Dimensions in inches and (millimeters)

Maximum Ratings and Electrical Characteristics

Rating at 25°C ambient temperature unless otherwise specified.

| Maximum Ratings | | | |
|---|-----------------|--------------|-------|
| Type Number | Symbol | Value | Units |
| Non-Repetitive Peak Reverse Voltage | V_{RM} | 100 | V |
| Peak Repetitive Reverse Voltage | V_{RRM} | 75 | V |
| Working Peak Reverse Voltage | V_{RWM} | | |
| DC Blocking Voltage | V_R | | |
| RMS Reverse Voltage | $V_{R(RMS)}$ | 53 | V |
| Forward Continuous Current | I_{FM} | 300 | mA |
| Average Rectifier Output Current | I_O | 150 | mA |
| Peak Forward Surge Current @ $t=1.0\mu s$ @ $t=1.0s$ | I_{FSM} | 2.0 1.0 | A |
| Power Dissipation | P_d | 225 | mW |
| Thermal Resistance Junction to Ambient | $R_{\theta JA}$ | 556 | °C/W |
| Operating and Storage Temperature Range | T_J, T_{STG} | -55 to + 150 | °C |

| Electrical Characteristics | | | | |
|--|-------------|-----|-------------------------------|---------|
| Type Number | Symbol | Min | Max | Units |
| Reverse Breakdown Voltage $I_R=100\mu A$ | $V_{R(BR)}$ | 75 | | V |
| Forward Voltage $I_F=1.0mA$ $I_F=10mA$ $I_F=50mA$ $I_F=150mA$ | V_F | - | 0.715 0.855 1.0 1.25 | V |
| Peak Reverse Current $V_R=75V$ | I_R | | 1.0 | μA |
| Junction Capacitance $V_R=0, f=1.0MHz$ | C_j | - | 2.0 | pF |
| Reverse Recovery Time (Note 1) | t_{rr} | - | 6.0 | nS |

Notes: 1. Reverse Recovery Test Conditions: $I_F=I_R=10mA, I_{rr}=0.1 \times I_R, R_L=100\Omega$.

RATINGS AND CHARACTERISTIC CURVES (BAS16)

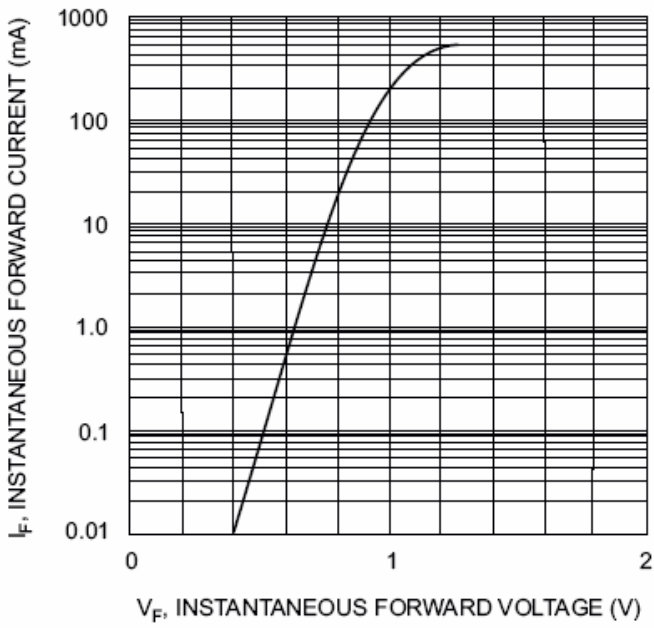


Fig. 1 Forward Characteristics

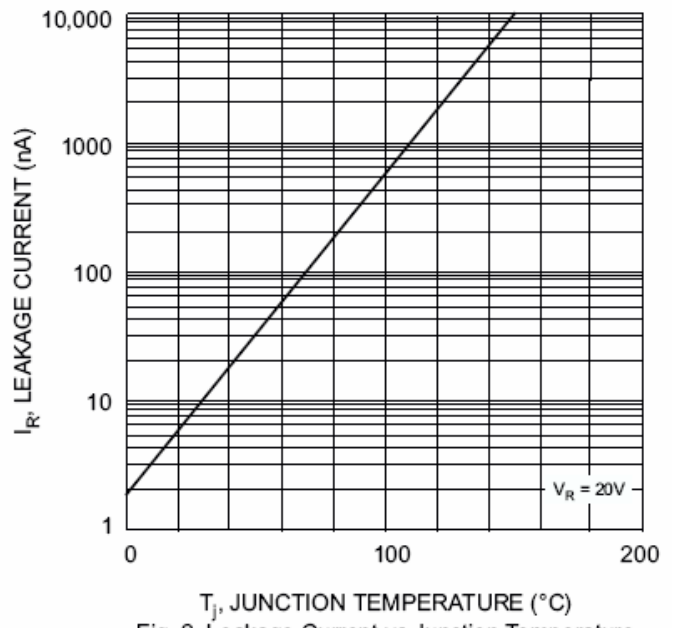


Fig. 2 Leakage Current vs Junction Temperature