



Datenblatt - Fiche technique - Data sheet

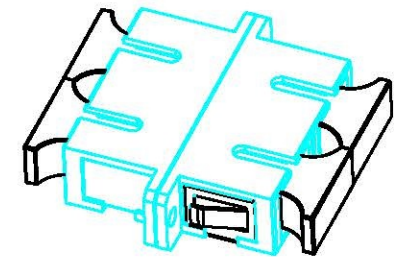
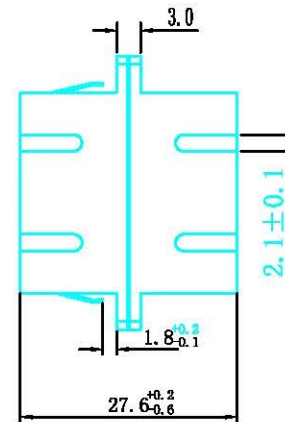
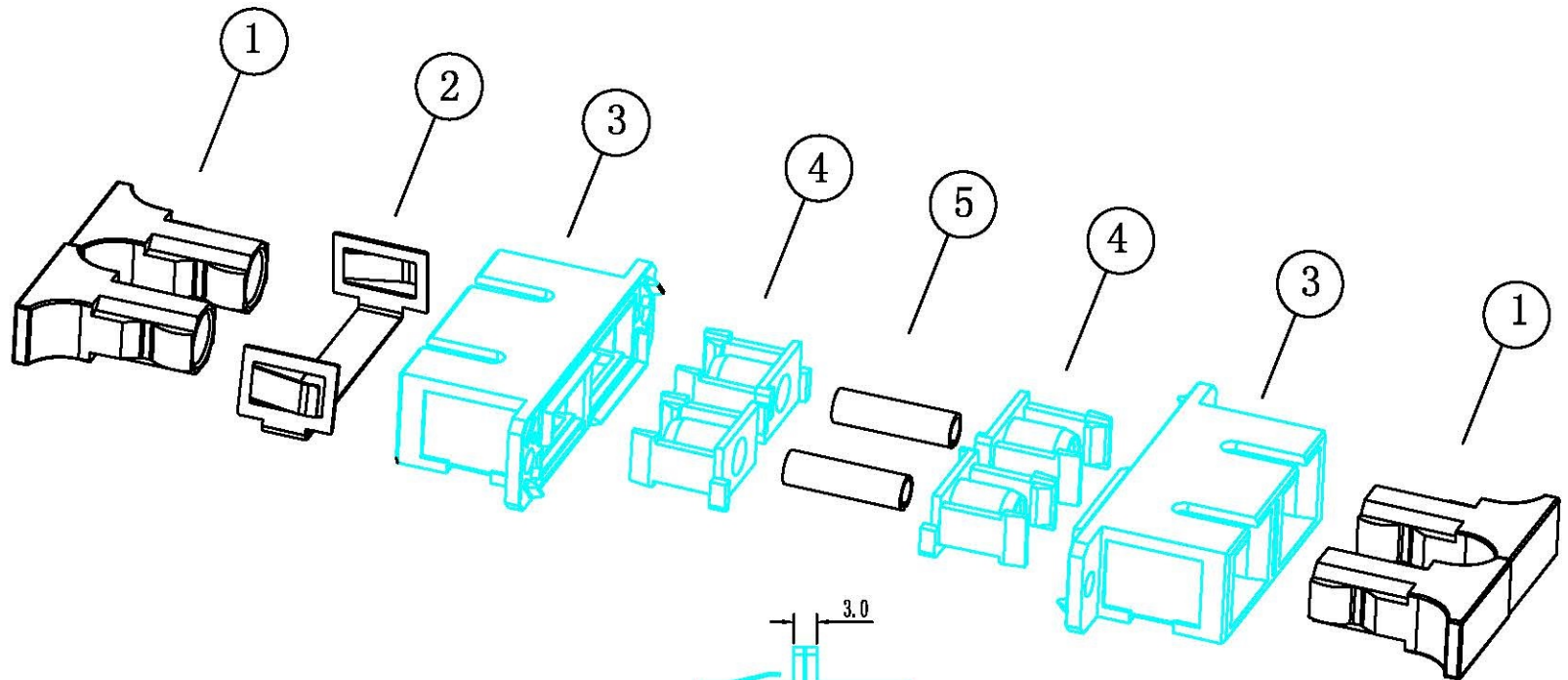
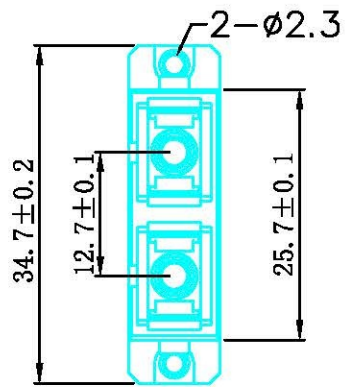
21.99.0655



VALUE LWL-Kupplung SC/SC duplex, OM3, PB

VALUE Coupleur optique SC/SC duplex, OM3, PB

VALUE Fibre Optic Adapter SC/SC Duplex, OM3, PB



NOTE:
RoHS & REACH Compliant

Insertion Loss (dB)	≤0.30
Operating Temperature (° C)	-40 ~ +85
Storage Temperature (° C)	-40 ~ +85

MATERIAL LIST:

⑤	SC (ceramic) Sleeve (Multi-Mode) Duplex, OM3	2pcs	
④	Aqua Bush	4pcs	
③	Aqua Body	2pcs	
②	Metal Mount	1pcs	
①	Black Dust cap	4pcs	
NO.	SPECIFICATION STANDARD	QT' Y	REMARK

VALUE Fiber Optic Adapter, SC type, Duplex, Multimode, OM3, Aqua color

Item No. 21.99.0655

rotronic

		NEW	UNIT	MM				
BY	CHK	REVISION RECORD MODIFICATIONS	2013-08-30	A	DRAWNBY	CHECKBY	APPOBY	DATE
			DATE	REV.				2013-08-30