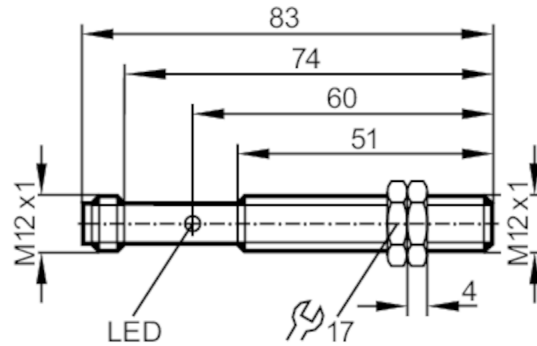


IF5598



Inductive sensor

IFA2002-FRKG/US-100-IRF



Product characteristics

Electrical design	PNP/NPN
Output function	normally open / normally closed; (selectable)
Sensing range [mm]	2
Housing	threaded type
Dimensions [mm]	M12 x 1 / L = 83

Electrical data

Operating voltage [V]	10...55 DC
Protection class	III
Reverse polarity protection	yes

Outputs

Electrical design	PNP/NPN
Output function	normally open / normally closed; (selectable)
Max. voltage drop switching output DC [V]	4.6
Minimum load current [mA]	4
Max. leakage current [mA]	0.5
Permanent current rating of switching output DC [mA]	300
Switching frequency DC [Hz]	1100
Short-circuit protection	yes
Type of short-circuit protection	pulsed
Overload protection	yes

Detection zone

Sensing range [mm]	2
Real sensing range S_r [mm]	$2 \pm 10\%$
Operating distance [mm]	0...1.6

Accuracy / deviations


Hysteresis [% of S_r]	1...15
Switch point drift [% of S_r]	-10...10

IF5598



Inductive sensor

IFA2002-FRKG/US-100-IRF

Operating conditions		
Ambient temperature	[°C]	-25...80
Protection		IP 67
Tests / approvals		
EMC	EN 60947-5-2	
	EN 55011	class B
MTTF	[years]	1815
UL approval	Ta	0...40 °C
	Enclosure type	Type 1
	voltage supply	Hazardous voltage
	File number UL	E174191
Mechanical data		
Weight	[g]	32.7
Housing		threaded type
Mounting		flush mountable
Dimensions	[mm]	M12 x 1 / L = 83
Thread designation		M12 x 1
Materials		brass white bronze coated; sensing face: PC
Displays / operating elements		
Display	switching status	1 x LED, yellow
Accessories		
Accessories (supplied)		lock nuts: 2
Remarks		
Pack quantity		1 pcs.
Electrical connection - plug		
Connector: 1 x M12		
		

IF5598



Inductive sensor

IFA2002-FRKG/US-100-IRF

