

MVP12, 4XM12, 5POLE, BASIC HOUSING

Without cap, with potent. sep.

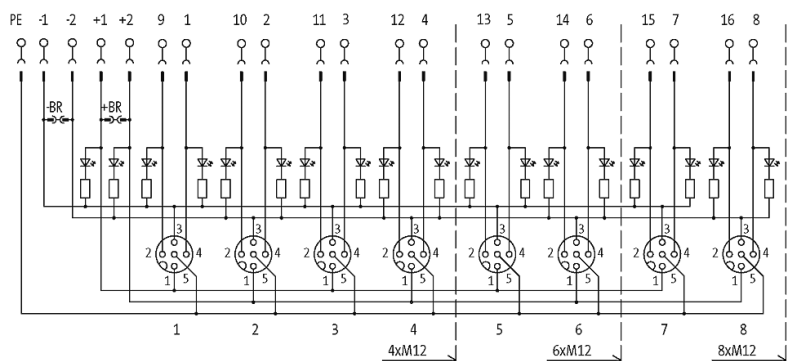
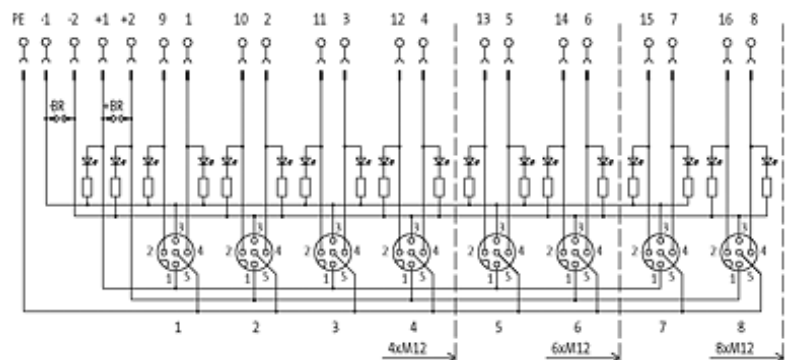
4-way, 5-pole

Potential separation as option

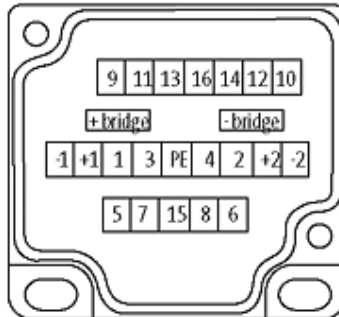
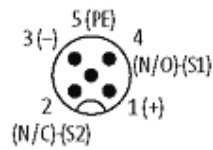
Plastic housings with good resistance against chemicals and oils. The resistance to aggressive media should be individually tested for your application. Further details on request.

[Link to Product](#)

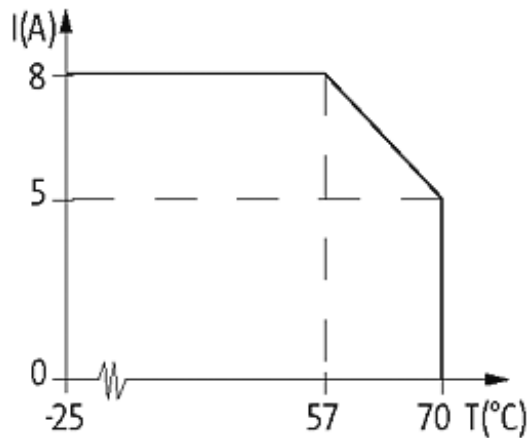
Illustration



M12 Females 5-pole



for 2 signals per port



Product may differ from Image

Approvals



Technical Data

Operating voltage	24 V DC
Signal per port	2
Operating current per contact	max. 4 A
Total current	max. 2 × 8 A
Housing	Plastic, flame retardant
Protection	IP67 inserted and tightened (EN 60529)
Locking of ports	Screw thread M12 × 1 mm

General data

Temperature range	-20...+80 °C
-------------------	--------------

Dimensions H x W x D 99.2x50.2x17.2 mm

Contact layout

Contact 1 (+)

Contact 2 (NC)/(S2)

Contact 3 (-)

Contact 4 (NO)/(S1)

Contact 5 (Earth)

LED display LED (green): Power / LED (yellow): (S1/S2)

Commercial data

country of origin DE

customs tariff number 85369010

minimum order quantity 1