

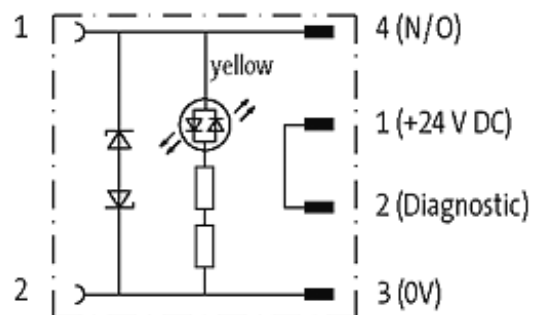
## M12 ADAPTOR ON TOP OF MSUD VALVE PLUG FORM A 18MM

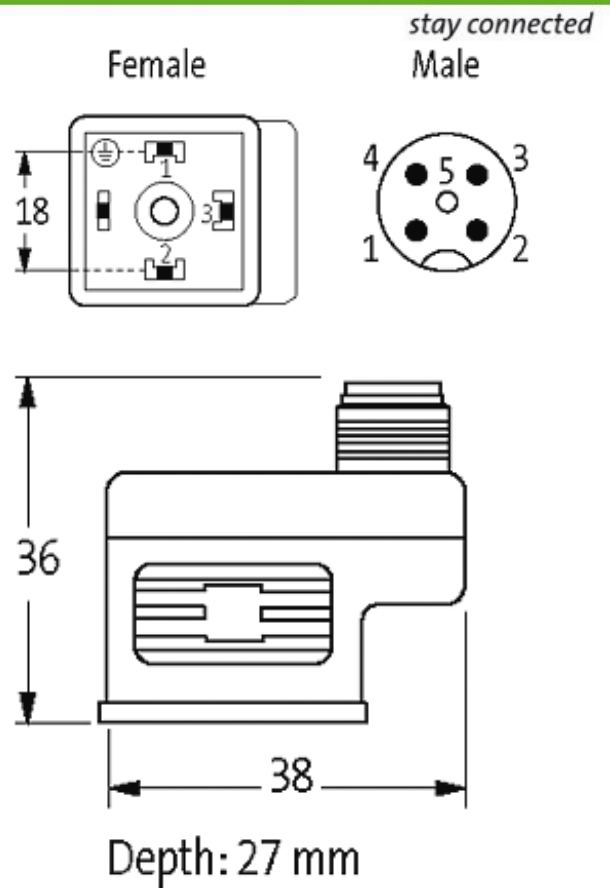
Form A (18 mm) – M12, connector top entry  
for pressure switches  
LED (yellow)  
4-pole

Plastic housings with good resistance against chemicals and oils. The resistance to aggressive media should be individually tested for your application. Further details on request.

### [Link to Product](#)

#### Illustration





Product may differ from Image

#### Approvals



#### Form

41321

#### Technical Data

Operating voltage	24 V AC/DC $\pm 25\%$
Operating current per contact	max. 4 A
Switch off peak	max. 55 V
Locking of ports	M3 (recommended torque 0.4 Nm)
Protection	IP67 inserted and tightened (EN 60529)

#### General data

Temperature range	-25...+90 °C
-------------------	--------------

#### Commercial data

country of origin	CZ
customs tariff number	85369010
minimum order quantity	1