



TOGGLE SWITCH, 16MM, ROUND, PLASTIC, BLACK, 2 SWITCH POSITIONS O-I, MOMENTARY CONTACT, RETURN FROM RIGHT, ACTUATING ANGLE 50 DEGREES

Figure similar

Design of the product		Single device round
Enclosure:		
Number of control points		1
Actuator:		
Design of the operating mechanism		selector switch
Manner of function of the actuating element		Momentary contact type
Product expansion optional Light source		No
Color		
• of the actuating element		black
Material of the actuating element		plastic
Outer diameter of the actuating element	mm	19
Type of unlocking device		without
Number of switching positions		2
Actuating angle		
• clockwise	°	50
Front ring:		
Product component front ring		Yes
Design of the front ring		Standard
Material of the front ring		plastic
Color of the front ring		black
Holder:		
Material of the holder		Plastic
General technical data:		
Product function		

<ul style="list-style-type: none"> • EMERGENCY OFF function • EMERGENCY STOP function 		No
Vibration resistance		
<ul style="list-style-type: none"> • acc. to IEC 60068-2-6 		20 ... 200 Hz: 5g
Operating frequency maximum	1/h	1 000
Mechanical service life (switching cycles)		
<ul style="list-style-type: none"> • typical 		300 000
Protection class IP		IP65
Equipment marking		
<ul style="list-style-type: none"> • acc. to DIN 40719 extended according to IEC 204-2 acc. to IEC 750 • acc. to DIN EN 61346-2 • acc. to DIN EN 81346-2 		S S S




Ambient conditions:

Ambient temperature		
<ul style="list-style-type: none"> • during operation 	°C	-25 ... +70
<ul style="list-style-type: none"> • during storage 	°C	-40 ... +80

Installation/ mounting/ dimensions:

Mounting type		front mounting
Shape of the installation opening		round
Mounting diameter	mm	16

Certificates/ approvals:

General Product Approval	Declaration of Conformity	Test Certificates	other
 UL		 EG-Konf.	Special Test Certificate other Confirmation

other

[Environmental Confirmations](#)

Further information

Information- and Downloadcenter (Catalogs, Brochures,...)

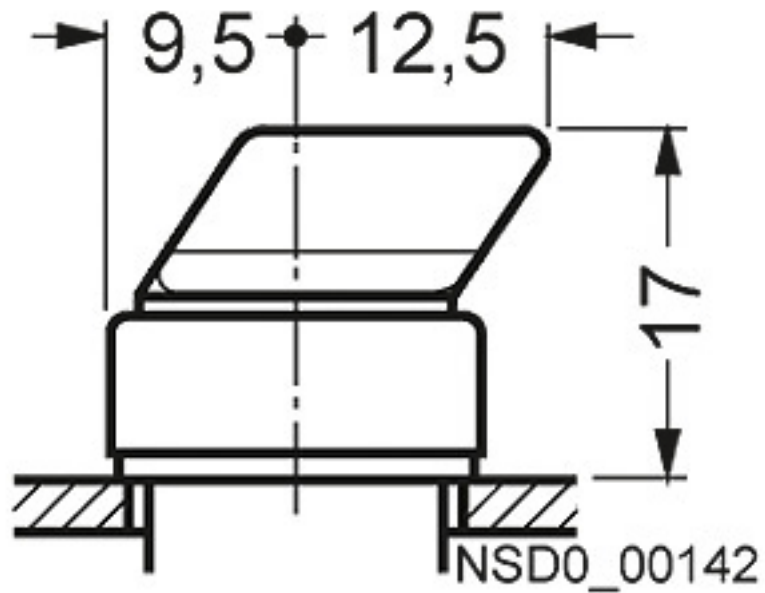
<http://www.siemens.com/industrial-controls/catalogs>

Industry Mall (Online ordering system)

<http://www.siemens.com/industrymall>

Cax online generator

<http://support.automation.siemens.com/WW/CAXorder/default.aspx?lang=en&mlfb=3SB20002BB01>



last modified:

09.03.2015