



CIRCUIT BREAKER 400V 15KA, 4-POLE, D, 0.3A, D=70MM

| Model  |    |                                 |
|--|----|---------------------------------|
| product brand name   |    | SENTRON                         |
| Product designation  |    | 5SY miniature circuit breaker   |
| <b>Design of the product</b>   |    | 5SY miniature circuit breakers  |
| General technical data   |    |                                 |
| <b>Number of poles</b>   |    | 4                               |
| <b>Number of poles / Note</b>  |    | 4P                              |
| <b>Tripping characteristic class</b>   |    | D                               |
| <b>circuit-breaker / Design</b>  |    | 5SY7                            |
| <b>Mechanical service life (switching cycles) / typical</b>  |    | 20 000                          |
| <b>Overvoltage category</b>  |    | 3                               |
| Voltage  |    |                                 |
| <b>Insulation voltage</b>  |    |                                 |
| <ul style="list-style-type: none"> <li>with multi-phase operation / with AC / Rated value</li> </ul> | V  | 440                             |
| Supply voltage   |    |                                 |
| Supply voltage frequency / Rated value   | Hz | 50                              |
| Protection class   |    |                                 |
| <b>Protection class IP</b>   |    | IP20, with connected conductors |
| <b>Energy limiting class</b>   |    | 3                               |
| Switching capacity   |    |                                 |
| <b>Switching capacity current</b>  |    |                                 |
| <ul style="list-style-type: none"> <li>for DC / acc. to IEC 60947-2 / Rated value</li> </ul>         | kA | 15                              |

- acc. to EN 60898 / Rated value
- acc. to IEC 60947-2 / Rated value

|    |    |
|----|----|
| kA | 15 |
| kA | 50 |

### Dissipation

#### Active power loss

- for rated value of the current / with AC / in hot operating state / per pole

|   |   |
|---|---|
| W | 1 |
|---|---|

### Electricity

rated current  $I_n$  / IEC, DIN/VDE / at 40 Cel

|   |       |
|---|-------|
| A | 0.285 |
|---|-------|

Current / with AC / Rated value

|   |     |
|---|-----|
| A | 0.3 |
|---|-----|

### Product details

Product feature / Touch protection

|  |     |
|--|-----|
|  | Yes |
|--|-----|

#### Product component

- combined terminal top
- combined terminal bottom

|  |     |
|--|-----|
|  | Yes |
|  | Yes |

#### Product property

- Properties for main switches in accordance with EN 60204-1
- halogen-free
- sealable
- silicon-free

|  |     |
|--|-----|
|  | Yes |
|  | Yes |
|  | Yes |
|  | Yes |

Product expansion / can be installed / supplementary devices

|  |     |
|--|-----|
|  | Yes |
|--|-----|

### Product function

Product function / neutral conductor switching

|  |    |
|--|----|
|  | No |
|--|----|

### Short circuit

#### Breaking capacity short-circuit current ( $I_{cn}$ )

- with AC / acc. to UL 1077 and CSA C22.2 No.235
- for DC / acc. to EN 60898-2

|    |    |
|----|----|
| kA | 5  |
| kA | 15 |

### Number

Number of test cycles / for environmental testing / acc. to IEC 60068-2-30

|  |   |
|--|---|
|  | 6 |
|--|---|

### Connections

#### Connectable conductor cross-section / stranded

- minimum
- maximum

|                 |      |
|-----------------|------|
| mm <sup>2</sup> | 0.75 |
| mm <sup>2</sup> | 35   |

#### Connectable conductor cross-section

- solid
  - minimum
  - maximum

|                 |      |
|-----------------|------|
| mm <sup>2</sup> | 0.75 |
| mm <sup>2</sup> | 35   |

|  |                 |      |
|--|-----------------|------|
| <ul style="list-style-type: none"> <li>• finely stranded / with core end processing <ul style="list-style-type: none"> <li>— minimum</li> <li>— maximum</li> </ul> </li> </ul> | mm <sup>2</sup> | 0.75 |
|  | mm <sup>2</sup> | 25   |
| <b>AWG number / as coded connectable conductor cross section</b>   |                 |      |
| <ul style="list-style-type: none"> <li>• minimum</li> <li>• maximum</li> </ul>   |                 | 14   |
|  |                 | 4    |
| <b>Tightening torque [lbf·in] / with screw-type terminals</b>  |                 |      |
| <ul style="list-style-type: none"> <li>• minimum</li> <li>• maximum</li> </ul>   | lbf·in          | 22   |
|  | lbf·in          | 26   |
| <b>Tightening torque / with screw-type terminals</b>   |                 |      |
| <ul style="list-style-type: none"> <li>• minimum</li> <li>• maximum</li> </ul>   | N·m             | 2.5  |
|  | N·m             | 3    |
| Position / of power supply cord  |                 | Any  |

### Mechanical Design

|                              |    |                       |
|------------------------------|----|-----------------------|
| <b>Height</b>                | mm | 90                    |
| <b>Width</b>                 | mm | 72                    |
| <b>Depth</b>                 | mm | 76                    |
| <b>mounting position</b>     |    | any                   |
| <b>Installation depth</b>    | mm | 70                    |
| <b>Number of width units</b> |    | 4                     |
| <b>Mounting type</b>         |    | Quick assembly system |

### Environmental conditions

|  |    |   |
|--|----|---|
| <b>Influence of the surrounding temperature</b>  |    | Max. 95% humidity   |
| Shock resistance / acc. to IEC 60068-2-27  |    | 150m/s <sup>2</sup> at 11ms half-sine                                   |
| Vibration resistance / acc. to IEC 60068-2-6   |    | 50m/s <sup>2</sup> at 25 to 150Hz and 60m/s <sup>2</sup> at 35Hz (4sec) |
| <b>Ambient temperature</b>   |    |   |
| <ul style="list-style-type: none"> <li>• minimum</li> <li>• maximum</li> <li>• during storage / minimum</li> <li>• during storage / maximum</li> </ul> | °C | -25   |
|  | °C | 55  |
|  | °C | -40   |
|  | °C | 75  |

### Certificates

|  |  |   |
|--|--|---|
| Equipment marking / acc. to DIN EN 61346-2 |  | F |
|--|--|---|

## General Product Approval



CCC



IMQ



GOST



UL



VDE



Declaration of  
Conformity

Shipping Approval

other



EG-Konf.



BUREAU  
VERITAS



DNV



LRS



RINA

[other](#)

## Further information

**Information- and Downloadcenter (Catalogs, Brochures,...)**

<http://www.siemens.com/lowvoltage/catalogs>

**Industry Mall (Online ordering system)**

<https://eb.automation.siemens.com/mall/en/WW/Catalog/Product/5SY74148>

**Service&Support (Manuals, Certificates, Characteristics, FAQs,...)**

<http://support.automation.siemens.com/WW/view/en/5SY74148/all>

**Image database (product images, 2D dimension drawings, 3D models, device circuit diagrams, ...)**

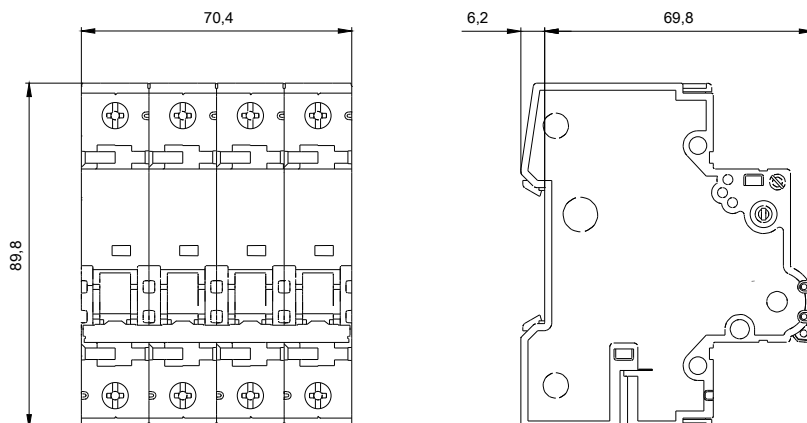
[http://www.automation.siemens.com/bilddb/cax\\_en.aspx?mlfb=5SY74148](http://www.automation.siemens.com/bilddb/cax_en.aspx?mlfb=5SY74148)

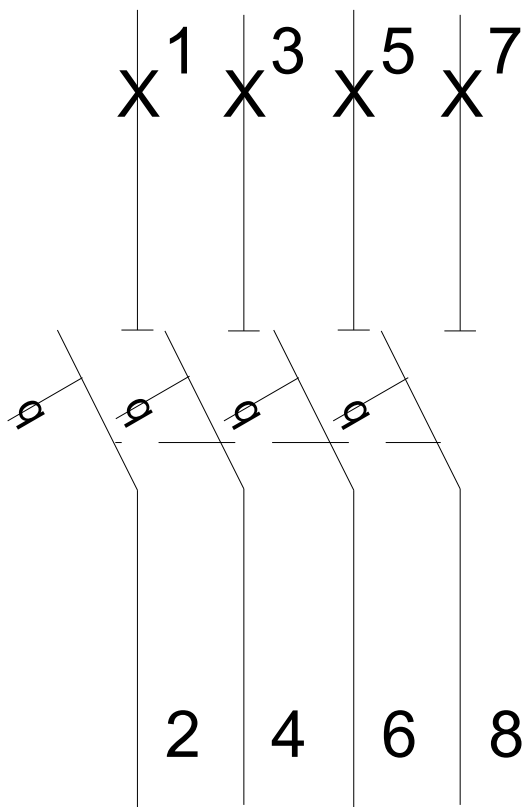
**CAX-Online-Generator**

<http://www.siemens.com/cax>

**Tender specifications**

<http://ausschreibungstexte.siemens.com/tiplv>





last modified:

11.03.2015