

## SiC MOSFET Isolated Gate Driver

Bob Callanan, Cree Inc

This article describes an implementation of an isolated gate driver suitable for testing and evaluating SiC MOSFETs in a variety of applications. This design replaces previous versions of this application note and include new enhancements. The enhancements are as follows:

- The circuit board has been extended so that now 2 watt as well as 1 watt DC-DC converters can be used. This enables driving larger MOSFETs or driving of smaller MOSFETs at higher frequency.
- The creep/strike clearance has been significantly increased.
- A separate regulator has been added for the opto-isolator. This allows simpler bypassing of the DC-DC converters when non-isolated operation is desired.
- The output resistor network has been modified with an additional diode to allow separate optimization of turn-on and turn-off transitions.

The top and bottom view of the enhanced gate driver is shown in Figures 1 and 2. The enhanced creep distance is accomplished with the groove in the printed circuit card. Some of the components are not populated because of the added flexibility in setting up the output network.

Figure 1: Isolated Gate Driver Top View

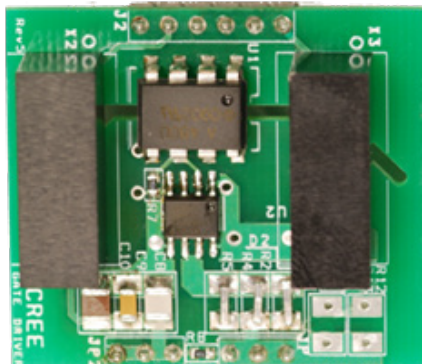
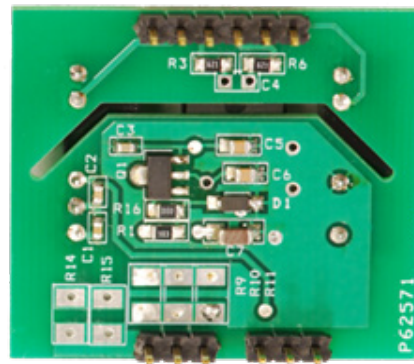


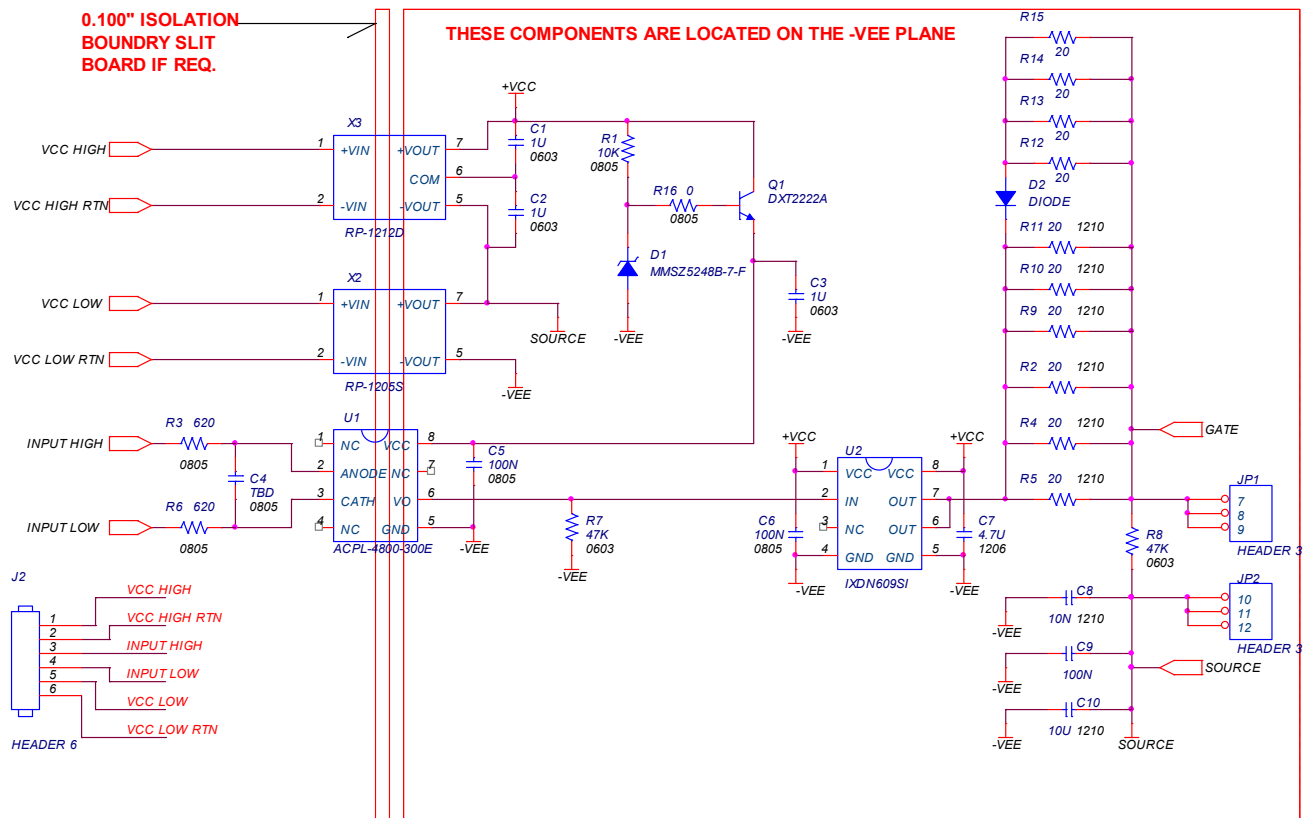
Figure 2: Isolated Gate Driver Bottom View



The new schematic for the enhanced gate driver is shown in Figure 3. The circuit consists of two isolated DC-DC converters (X2 and X3), an opto-isolator (U1) and the gate driver integrated circuit (U2). This integrated circuit, the Clare/IXYS IXDN609SI can provide 35V output swing and up to 9A of current with a typical output resistance of 0.8  $\Omega$ . The opto-isolator, the Avago ACPL-4800-300E, has high common mode transient immunity (30kV/ $\mu$ sec) and can operate from 4.5 to 20V. A provision for an input filtering capacitor (C4) has been included if needed. Power is provided by isolated DC-DC converters; one for the positive bias and the other for negative bias. X2 and X3 are both from the Recom RP series of 1 watt unregulated isolated DC-DC converters or the Recom [1] RxxP2xx series of 2 watt DC-DC converters. Either type can be accommodated depending on the application.

These converters are inexpensive with an isolation voltage rating of 5.2kV and also have very low isolation capacitance. In this particular configuration, X2 is a 12V in 5V out converter and X3 is a 12V in, +/-12V out converter. As shown in the schematic, the outputs of the converters are series connected and the common connection is referenced to the source terminal. Therefore, VCC determines the gate pulse positive voltage and -VEE determines the negative gate pulse voltage. The -VEE node is used as the ground reference for opto-isolator and the gate driver. The opto-isolator's maximum operating voltage is 20V which can be greater than the voltage appearing at VCC. An emitter follower clam consisting of Q1 and D1 has been added to limit the voltage to the opto-isolator to 17.3V nominal. A base resistor (R16) was included if additional dampening is desired for the emitter follower. In practice, a zero ohm resistor works fine. Resistors R2, R4, R5, R9-R15 and diode D2 can be populated to provide optimum turn-on and turn-off performance. In this case, only R2, R4 and R5 are populated with 20 ohm 1/3 watt resistors. To minimize stray inductance, capacitors C8-C10 are located very close to the source output pin and the gate driver to provide very tight coupling between the source output terminal and the -VEE node.

Figure 3: Isolated Gate Driver Schematic



Operation of the gate driver is as follows. A +10 to +12V pulse is applied to the opto causes the gate terminal to go high. The intent of this circuit is to afford the maximum flexibility. Therefore, unregulated DC-DC converters were used so that the output gate pulse positive and negative voltage levels can be adjusted at ground level. The gate voltage positive level is adjusted by varying the voltage between the VCC HIGH and VCC HIGH RTN and the negative pulse level is adjusted by varying the voltage between the VCC LOW and VCC LOW RTN pins. The procedure is to observe the output of the gate driver board with an oscilloscope and adjust VCC HIGH and VCC LOW input voltages until the gate pulse is set to the desired values. Care must be taken during adjustment to insure that the voltage between the VCC and -VEE nodes does not exceed the maximum ratings of U2, which is 35V.

The circuit can be modified to remove the isolated DC-DC converters to allow direct connection of VCC, source, and -VEE directly to external power supplies. This is accomplished by removing the converters and replacing them with jumper wires. The schematic of this change is shown in Figure 4. Notice that X2 and X3 have been removed and replaced by jumpers shown as the dark blue nets. Also note, the gate driver can also be configured for no negative gate bias by not populating the negative gate bias DC/DC converter as shown in Figure 5. Notice that DC-DC converter X3 is not populated and a jumper is placed as shown in the dark blue net.

Non-regulated DC-DC converters are used in this design to allow convenient adjustment of the high and low gate pulse amplitudes at ground level. The VCC high input sets the high level and the VCC low input sets the low level. The procedure is to observe the output of the gate driver board with an oscilloscope and adjust VCC high and VCC low until the output pulse high and low levels are set to the desired values.

**Figure 4: Non-Isolated Configuration Schematic**

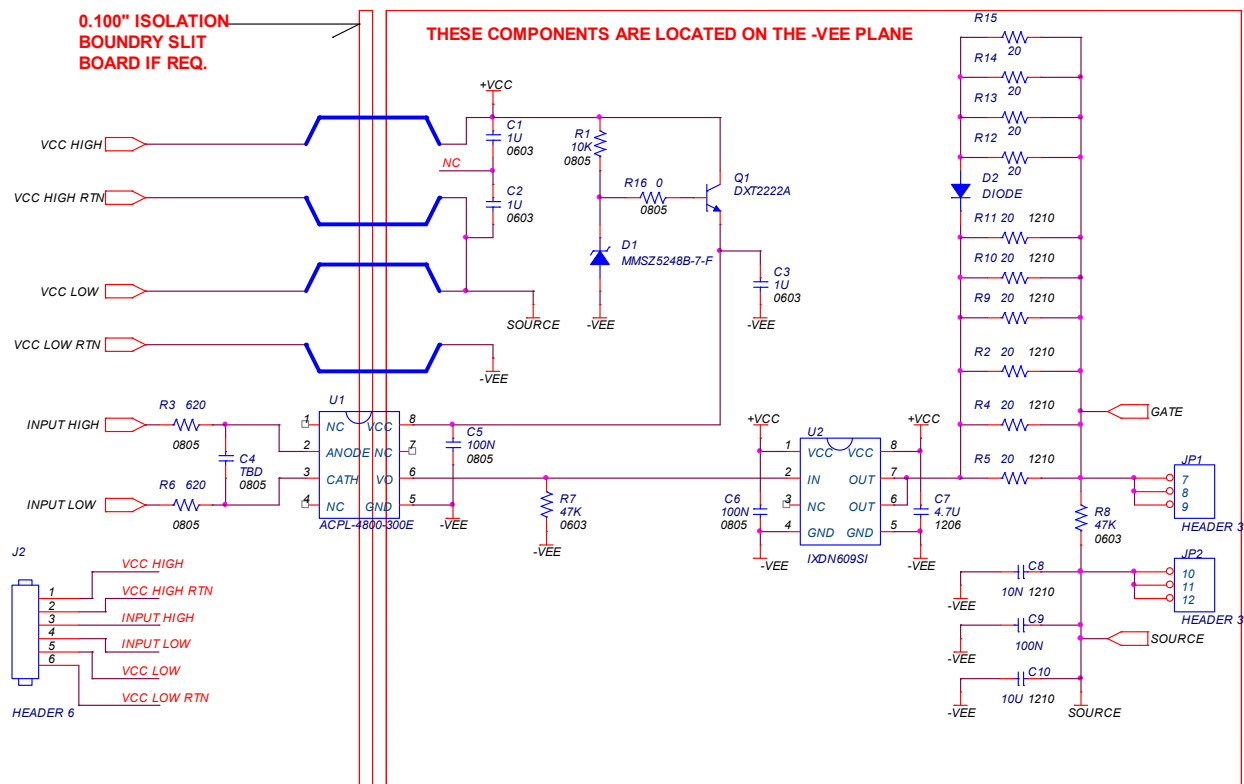
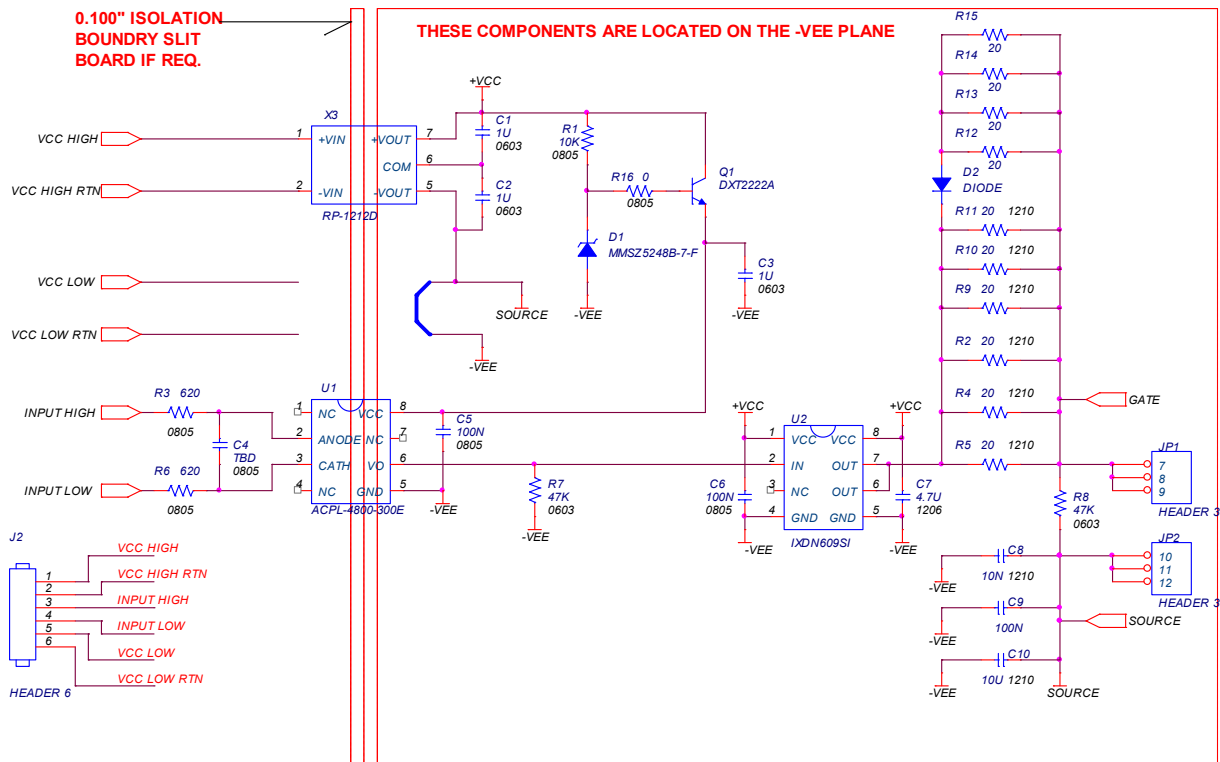


Figure 5: Isolated Configuration Schematic - No Negative Bias



The bill of materials for the isolated gate driver is shown in Table 1. Please note that different Recom isolated DC-DC converters can be used. Also note that the photographs of the populated board shown in Figures 1 and 2 are for reference only and does not correlate to this BOM. Also, C4, D2 and R9-R15 are not populated so they are listed as TBD. It is up to the user to select these parts depending on the application.



**Table 1: Isolated Gate Driver Bill of Materials**

Item	Quant.	Ref. Des.	Value	Description	Manufacturer	Manufacturer P/N
1	3	C1,C2,C3	1U	Capacitor, Ceramic 1UF 25V X5R 0603	AVX	06033D105MAT2A
2	1	C4	TBD	Capacitor, Ceramic TBD 0805		
3	2	C5,C6	100N	Capacitor, Ceramic 100n 50V X7R 0805	Kemet	C0805C104K5RACTU
4	1	C7	4.7U	Capacitor, Ceramic 4.7UF 50V X5R 1206	Kemet	C1206C475K5PACTU
5	1	C8	10N	Capacitor, Ceramic 10n 50V NP0 1210	Kemet	C1210C103J5GACTU
6	1	C9	100N	Capacitor, Ceramic 100n 50V X7R 1206	Kemet	C1206C104K5RACTU
7	1	C10	10U	Capacitor, Ceramic 10UF 16V X5R 1210	Kemet	C1210C106K4PACTU
8	1	D1	MMSZ5248B-7-F	DIODE ZENER 18V 500MW SOD-123	Diodes Inc.	MMSZ5248B-7-F
9	1	D2	DIODE	Diode, TBD SOD-123AC		
10	2	JP1,JP2	HEADER 3	3 Pins Cut to length	Sullins Connector Solutions	PBC36SAAN
11	1	J2	HEADER 6	6 Pins Cut to length	Sullins Connector Solutions	PBC36SAAN
12	1	Q1	DXT2222A	Transistor, NPN General Purpose, 40V SOT-23	Diodes Inc.	DXT2222A-13
13	1	R1	10K	Resistor, 10k 1/8W 5% 0805	Vishay/Dale	CRCW080510K0JNEA
14	3	R2,R4,R5	20	Resistor, 20 Ohm 1/3W 5% 1210	Vishay/Dale	CRCW121020R0JNEA
15	7	R9-R15	TBD	Resistor, TBD 1/3W 5% 1210		
16	2	R3,R6	620	Resistor, 620 Ohm 1/8W 5% 0805	Vishay/Dale	CRCW0805620RJNEA
17	2	R7,R8	47K	Resistor, 47k 1/10W 5% 0603	Vishay/Dale	CRCW060347K0JNEA
18	1	R16	0	Resistor, 10k 1/8W 5% 0805	Vishay/Dale	CRCW08050000Z0EA
19	1	U1	ACPL-4800-300E	Opto-Isolator	Avago	ACPL-4800-300E
20	1	U2	IXDN609SI	Gate Driver Non-Inverting	IXYS	IXDN609SI
21	1	X2	RP-1205S	DC/DC Converter, 1W 12V in 5V out	Recom	RP-1205S
22	1	X3	RP-1212D	DC/DC Converter, 1W 12V in +/-12V out	Recom	RP-1212D
23	1	-	-	ISOLATED GATE DRIVER REV5 PCB	Cree	

[1] <http://www.recom-power.com/>

Copyright © 2012 Cree, Inc. All rights reserved. The information in this document is subject to change without notice. Cree, the Cree logo, and Zero Recovery are registered trademarks of Cree, Inc.

This document is provided for informational purposes only and is not a warranty or a specification. This product is currently available for evaluation and testing purposes only, and is provided "as is" without warranty. For preliminary, non-binding product specifications, please see the preliminary data sheet available at [www.cree.com/power](http://www.cree.com/power).

Cree, Inc.  
4600 Silicon Drive  
Durham, NC 27703  
USA Tel: +1.919.313.5300  
Fax: +1.919.313.5451  
[www.cree.com/power](http://www.cree.com/power)