

Clamps · with nose

23180.0226

Product Description

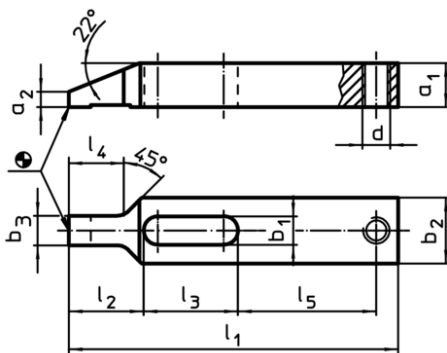
This clamp (clamping claw) with nose is mainly used in mechanical clamping technology for clamping workpieces.

Material

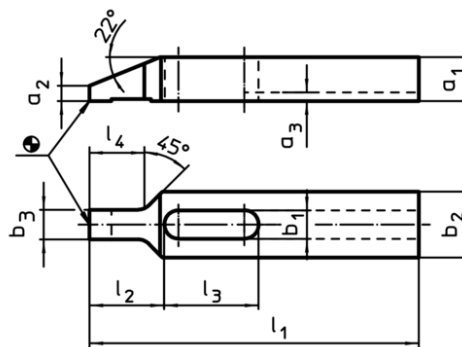
- Heat-treated steel, tempered, blackened



Drawing



picture 1

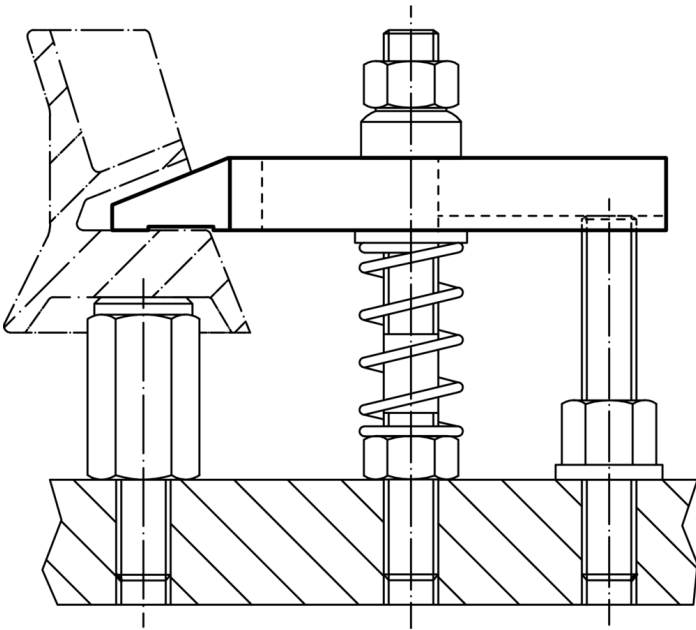


picture 2

Order information

Nominal dimension b_1 [mm]	Dimensions										Art. No.
	l_1	a_1	a_2	a_3	b_2	b_3	l_2	l_3	l_4	[g]	
with keyway – picture 2											
26	250	40	17.5	5.5	60	21.5	60	71	36	3340	23180.0226

Application example



Compliance

RoHS compliant

Compliant according to Directive 2011/65/EU and Directive 2015/863

Does not contain SVHC substances

No SVHC substances with more than 0.1% w/w contained - SVHC list [REACH] as of 10.06.2022

Does not contain Proposition 65 substances

No Proposition 65 substances included
<https://www.P65Warnings.ca.gov/>

Free from Conflict Minerals

This product does not contain any substances designated as "conflict minerals" such as tantalum, tin, gold or tungsten from the Democratic Republic of Congo or adjacent countries.