

fischer 

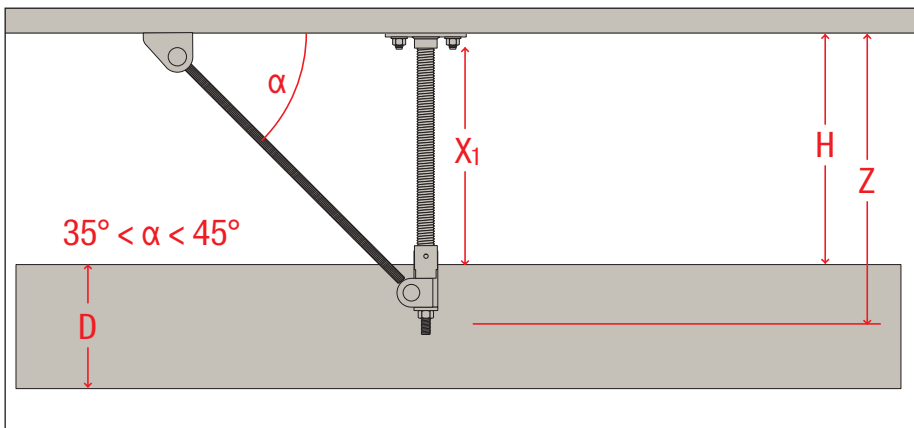
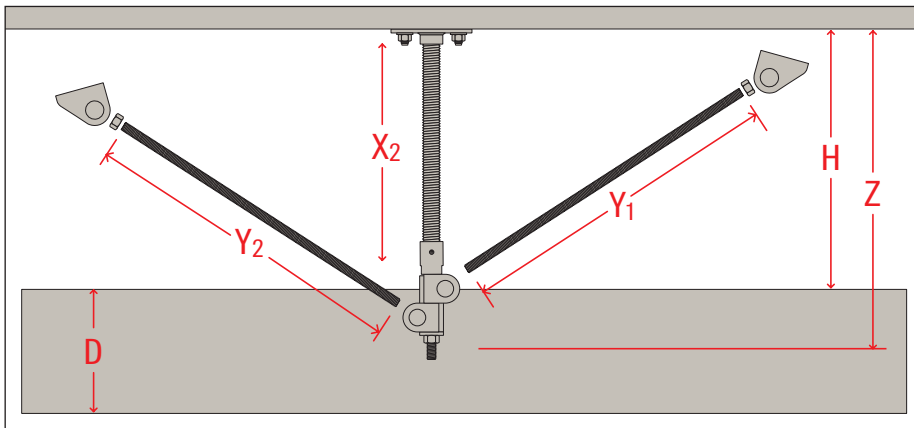
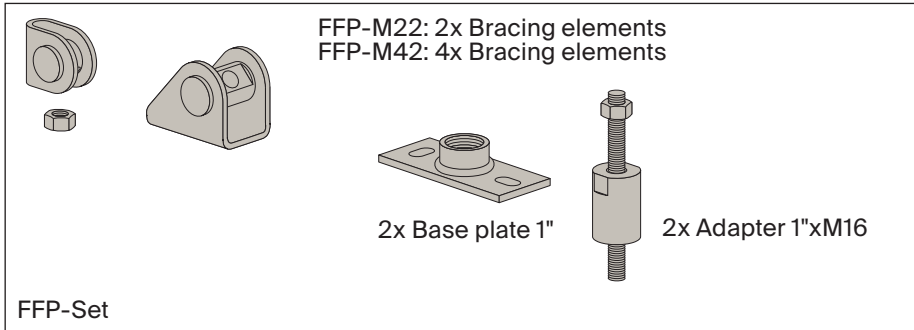
FFP-M22 #567703

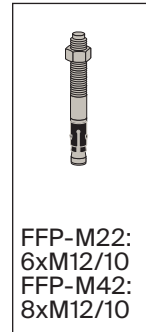
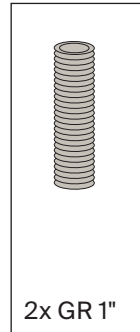
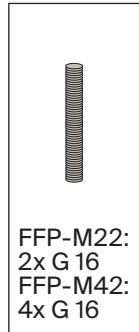
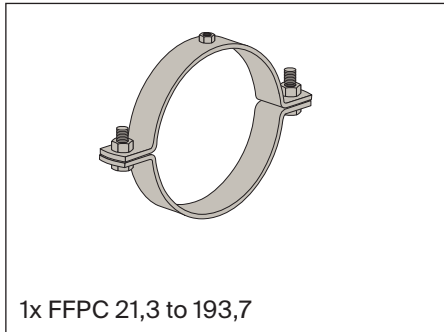
FFP-M42 #567704

DE Bedienungsanleitung
EN Operating instructions
FR Manuel d'utilisation
NL Gebruiksaanwijzing
IT Manuale d'uso

ES Manual de instrucciones
TR Kullanım Kılavuzu
SV Bruksanvisning
FI Käyttöohje
NO Bruksanvisning

DA Betjeningsvejledning
PL Instrukcja obsługi
SK Používateľská príručka
HU Használati útmutató
CS Návod k obsluze





Z [mm]	X ₁ [mm]	X ₂ [mm]	Y ₁ (45°) [mm]	Y ₂ (45°) [mm]
200	45	95	153	224
300	145	195	295	365
400	245	295	436	507
500	345	395	578	648
600	445	495	719	790
700	545	595	860	931
800	645	695	1002	1072
900	745	795	1143	1214
1000	845	895	1285	1355
1100	945	995	1426	1497
1200	1045	1095	1567	1638
1300	1145	1195	1709	1780
1400	1245	1295	1850	1921
1500	1345	1395	1992	2062

$$X_1 = Z - 155,5$$

$$H = Z - D/2$$

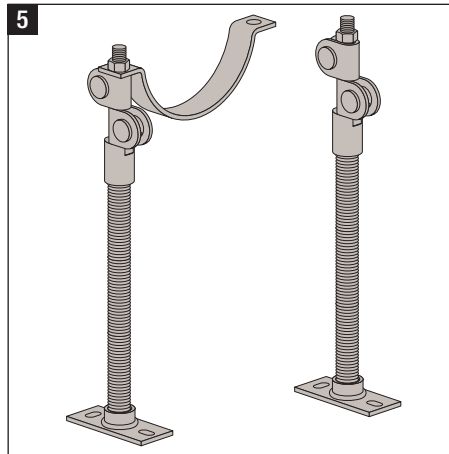
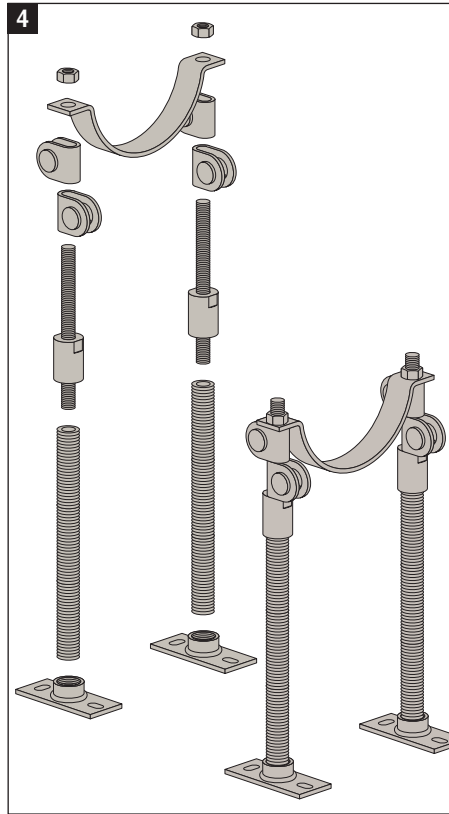
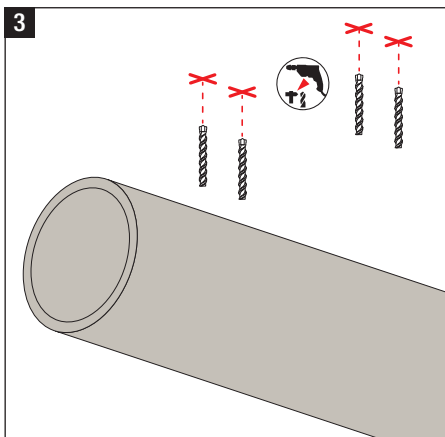
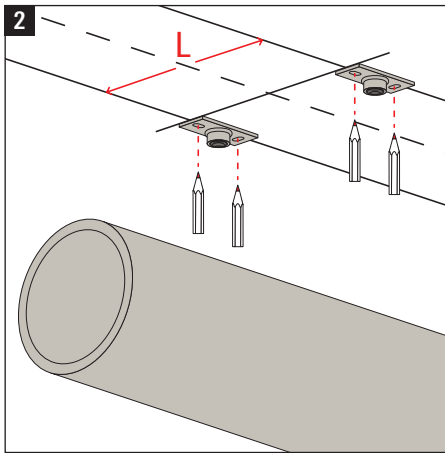
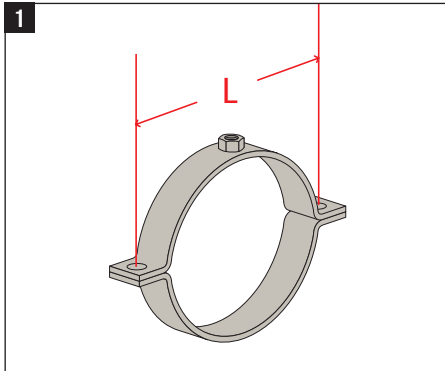
$$X_2 = Z - 105,5$$

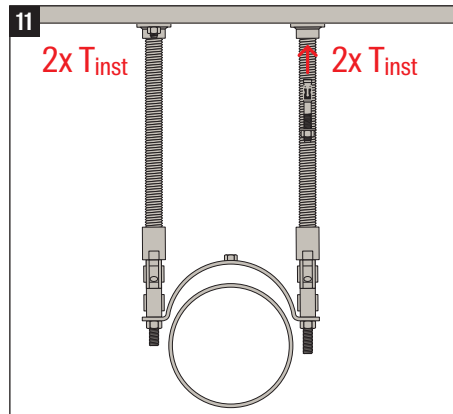
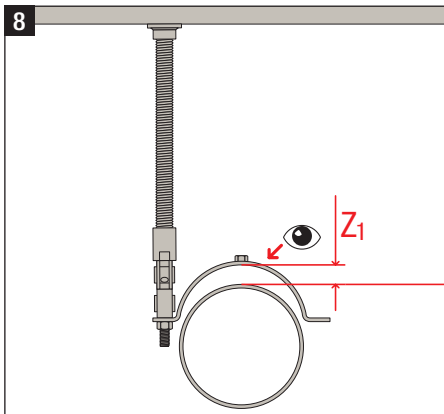
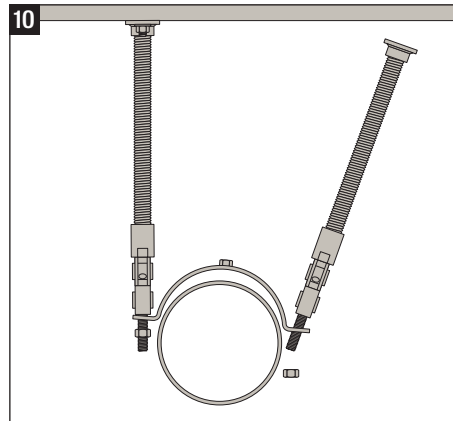
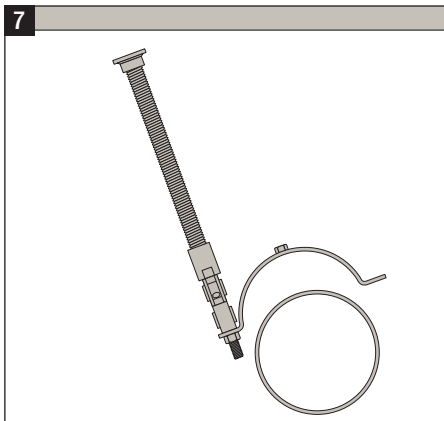
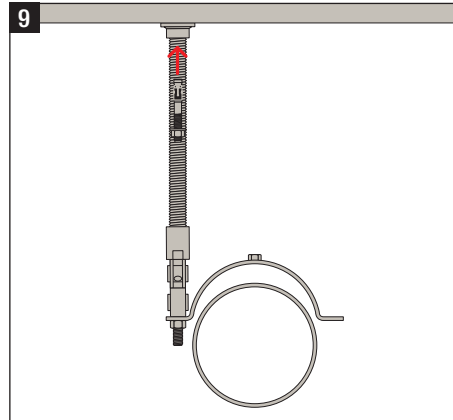
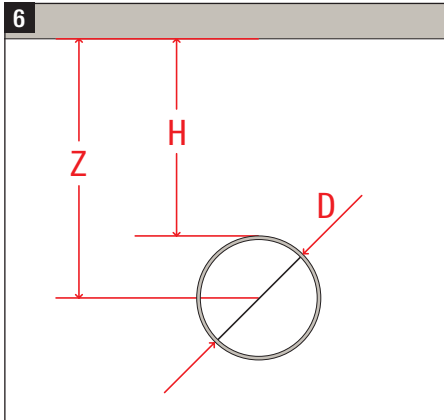
$$H = Z - D/2$$

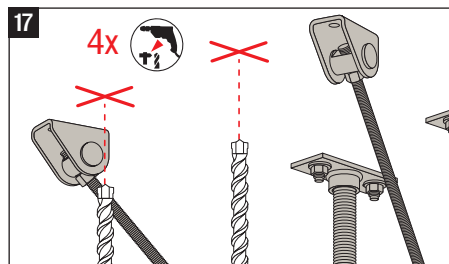
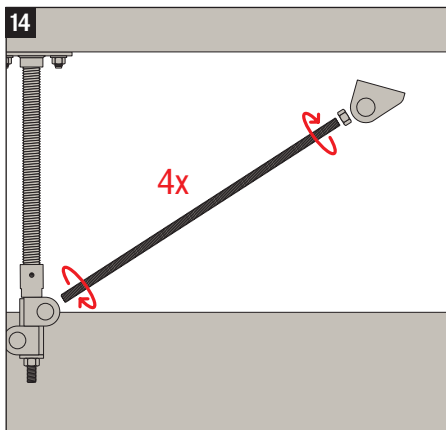
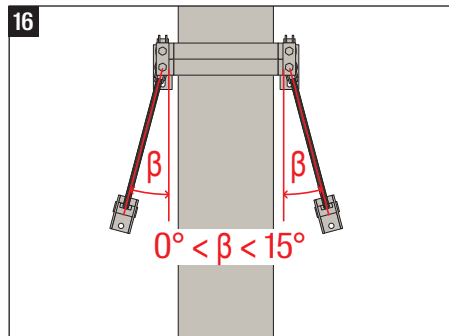
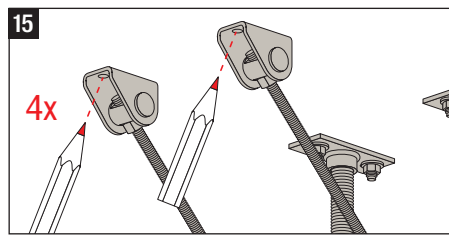
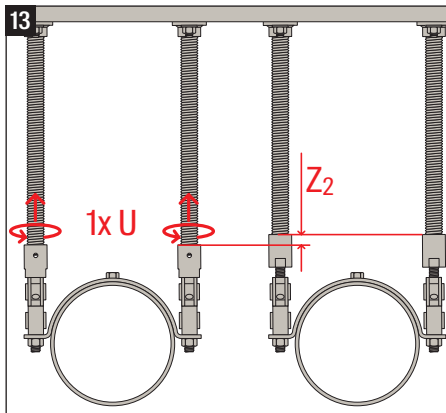
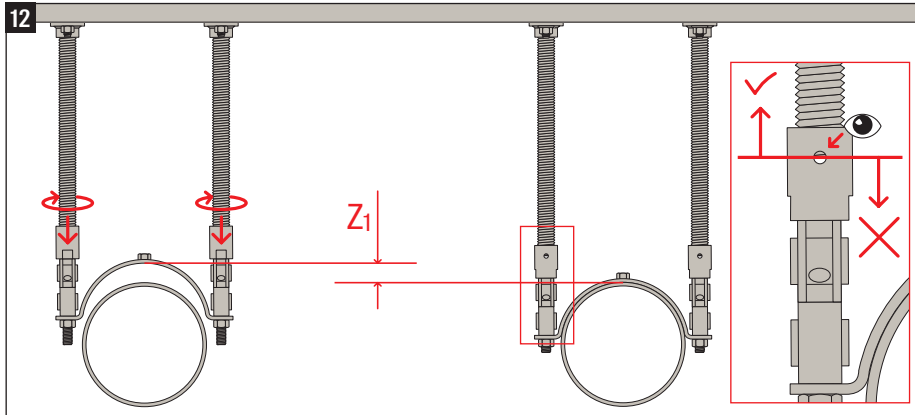
$$Y_1 = \frac{Z - 127}{\sin \alpha} + 50$$

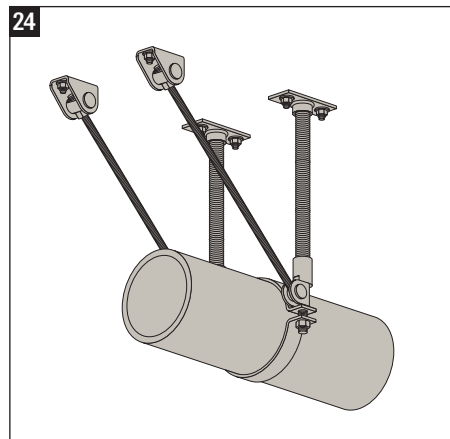
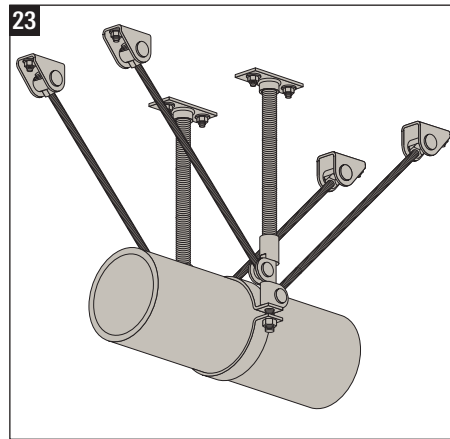
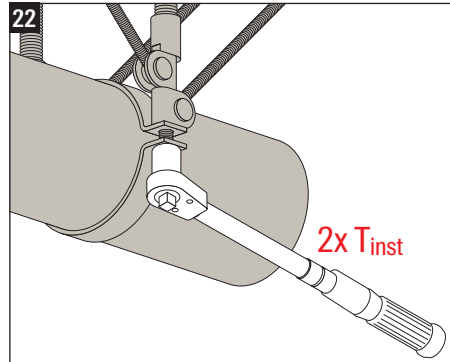
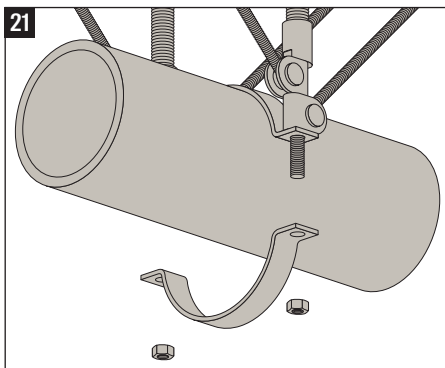
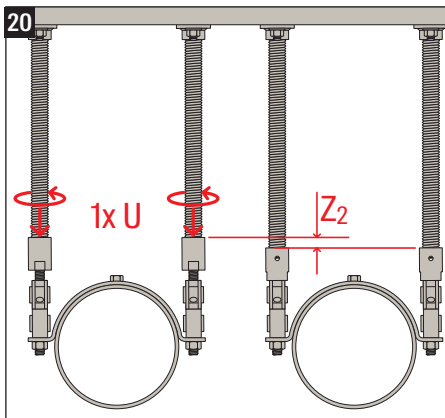
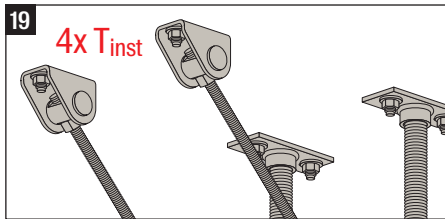
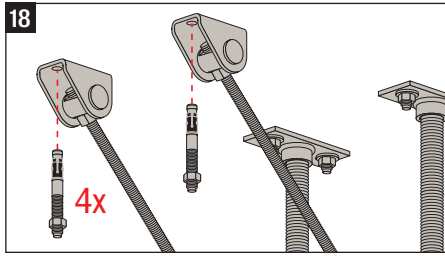
$$Y_2 = \frac{Z - 77}{\sin \alpha} + 50$$













fischer stands for

Fixing Systems

Automotive

fischertechnik

Consulting

Electronic Solutions

fischerwerke GmbH & Co. KG

Klaus-Fischer-Straße 1
72178 Waldachtal
Germany

P +49 7443 12 - 0
F +49 7443 12 - 8297

info@fischer.de
www.fischer-international.com

00202620 (1) - 09/2023 (UID) - Printed in Germany
We cannot be responsible for any errors, and we reserve the right to make technical and range modifications without notice.