

Line laser, green, 520 nm, 10 °, 1 mW

LE520-1-3(12x32)10DEG-F110
Order Number: 70129250

Main Parameters (*)	min	typ	max	Unit
Wavelength	515	520	525	nm
Optical Output Power		1		mW
Operating Voltage	2.7	3	3.3	V DC
Operating Current	30	50	100	mA
Operating Temperature	-10		60	°C
Storage Temperature	-40		80	°C

Main Data

Warranty 1 years

Technical Parameters

Lifetime > 6,000 h
RoHS yes

Optical Parameters

Beam Shape	Line
Laser Class	1
Fan Angle	10 °
Line Thickness	<1mm@0.110m
Operating Distance	0.11 m
Optics	glass lens AR coated
Laser technology	Single Mode Diode
Focus	fixed (110mm)
internal modulation frequency	1 kHz

Electrical Parameters

Potential of Housing isolated

Mechanical Parameters

Size	Ø12x32 mm
Material	aluminium
Cable length	100 mm
Wire type	Belden, Typ 1007, 26AWG
Output Aperture	5 mm
Housing Color	black
Weight	10 g
Stripping of wire	5 mm

(*) Over the complete operating temperature range

Features



- Direkt green Lasermodule
- Operating Voltage 3 V DC
- Glas lenses anti reflex coated
- Laser Class 1

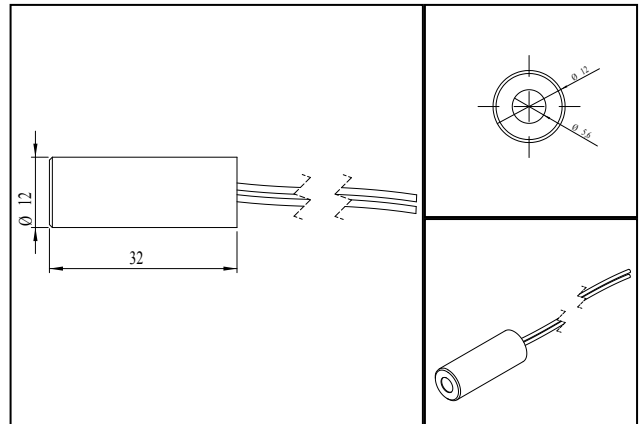
Picture



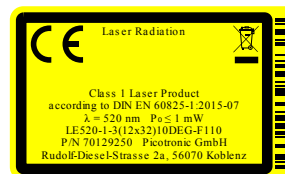
Cable color

Ground		black	GND
positive		red	2.7 - 3.3, typ 3 V DC

Drawing



Safety Label



Valid Revision

| 23-FEB-2021