

RCA Keystone Coupler



RCA connectors, also known as “phono” or “cinch” connectors, have been used for many years to carry audio and video signals. TUK is now pleased to offer these in a range of colours and coloured identifiers in the convenient keystone format.

Features

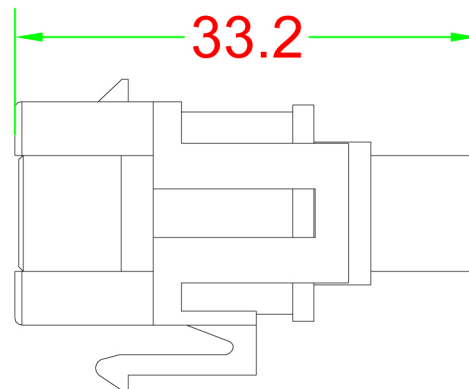
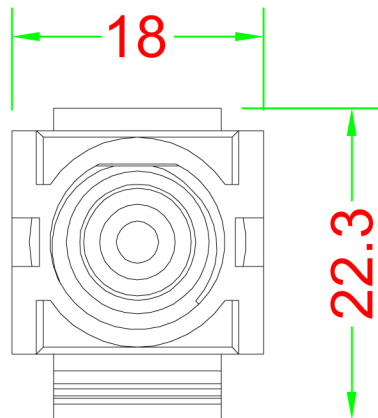
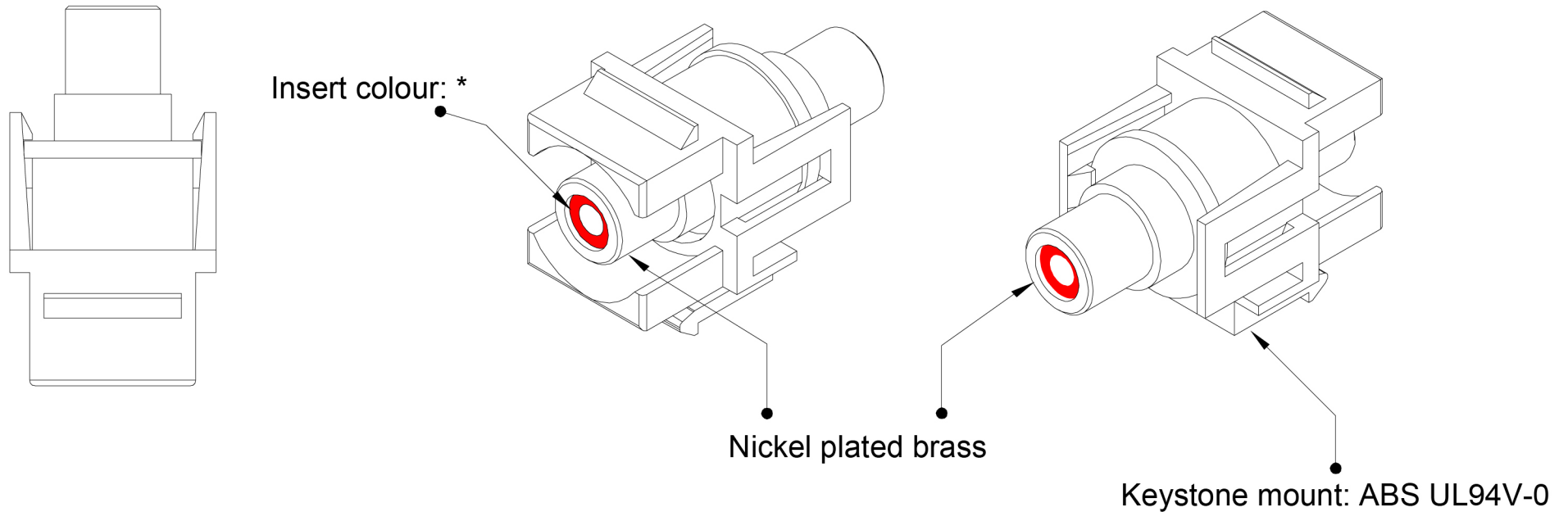
- Available in white and black keystone mount to match panel or faceplate colour
- Coloured inserts (black, red, white and yellow)
- Standard format keystone fits a wide range of panels, adaptors and faceplates
- Available as part of our innovative panel mount and D UNIVERSAL range

Specifications

- Available in white and black keystone mount to match panel or faceplate colour
- Materials:
 - Body: Nickel plated brass
 - Keystone mount: ABS UL94V-0
- Weight: 8g approx.
- Codes: KRCAbkbk, KRCAbkwh, KRCArbk, KRCArdwh, KRCAwhbk, KRCAwhwh, KRCAywbk, KRCAywwh

ROHS Compliant

Code: KRCA*?



* = Insert colour
 bk: Black
 rd: Red
 yw: Yellow
 wh: White

? = Keystone mount colour
 bk: Black
 wh: White