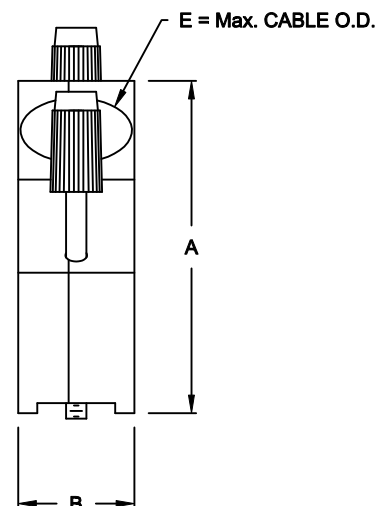
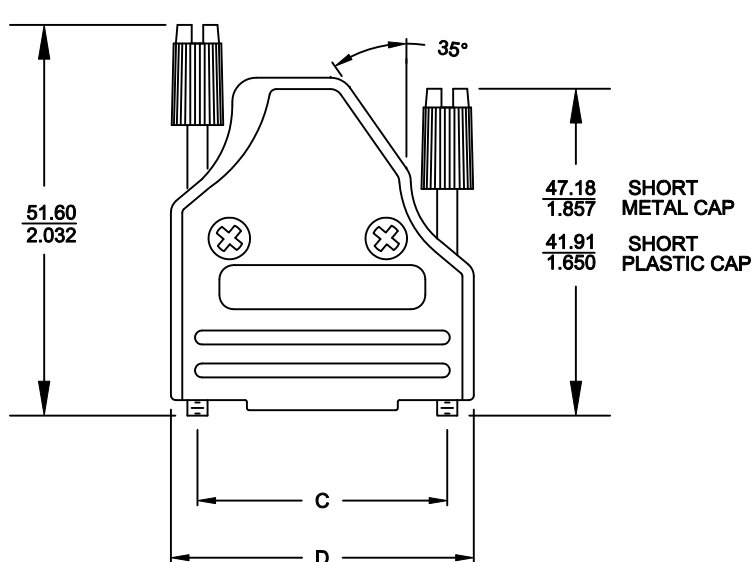


BACKSHELL KIT INCLUDES:

- (2) BACKSHELL HALVES
- (2) STRAIN RELIEF CLAMPS
- (2) STRAIN RELIEF SCREWS
- (2) MOUNTING SCREWS
- (2) THUMBSCREWS *** (SEE NOTE) ***
- (1-SET) METALIZED PLASTIC INSERTS - VARIOUS SIZES
DIAMETER: 6.2mm (0.244"), 8.2mm (0.323"), 10.2mm (0.402")

DIMENSIONS (mm/in.)					
SIZE	A ± 0.25 ± 0.010	B ± 0.25 ± 0.010	C ± 0.13 ± 0.005	D ± 0.25 ± 0.010	E
09	43.00	15.49	24.99	32.00	13.00
	1.693	0.610	0.984	1.260	0.512
15	43.00	15.49	33.32	40.41	13.00
	1.693	0.610	1.312	1.591	0.512
25	48.00	15.49	47.04	54.00	13.00
	1.890	0.610	1.852	2.126	0.512
37	53.00	15.49	63.50	70.51	13.00
	2.087	0.610	2.500	2.776	0.512



NOTE:

- 9-POSITION - 1 LONG THUMBSCREW WITH PLASTIC CAP
- 15-POSITION - 1 LONG THUMBSCREW WITH PLASTIC CAP
1 SHORT THUMBSCREW WITH METAL CAP
- 25-POSITION - 1 LONG THUMBSCREW WITH PLASTIC CAP
1 SHORT THUMBSCREW WITH PLASTIC CAP
- 37-POSITION - 1 LONG THUMBSCREW WITH PLASTIC CAP
1 SHORT THUMBSCREW WITH PLASTIC CAP

ORDERING INFORMATION:

SIZE:	P/N - KITTED:	PRODUCT CODE:
9-WAY	6560-0139-11	MHDM35-9-K
15-WAY	6560-0139-12	MHDM35-15-K
25-WAY	6560-0139-13	MHDM35-25-K
37-WAY	6560-0139-14	MHDM35-37-K

SIZE:	P/N - BULK:	PRODUCT CODE:
9-WAY	6561-0139-11	MHDM35-9
15-WAY	6561-0139-12	MHDM35-15
25-WAY	6561-0139-13	MHDM35-25
37-WAY	6561-0139-14	MHDM35-37

SPECIFICATION:

- BACKSHELL MATERIAL: DIE CAST ZINC ALLOY
NICKEL PLATED
- STRAIN RELIEF CLAMPS: STEEL - NICKEL PLATED
- STRAIN RELIEF SCREWS: STEEL - Zn PLATED
- HOUSING SCREWS: STEEL - Zn PLATED
- COMPRESSION INSERT: ABS - UL RECOGNIZED
- 4-40 THUMBSCREWS: STEEL/HDPE - Zn PLATED
- OPERATING TEMP: -40°C TO +120°C

THESE DRAWINGS AND SPECIFICATIONS ARE THE PROPERTY OF MH CONNECTORS LTD. AND SHALL NOT BE REPRODUCED, COPIED OR USED AS THE BASIS FOR THE MANUFACTURE OR SALE OF APPARATUS WITHOUT WRITTEN PERMISSION.

DRAWN		DATE	
P. JENKINS		03-14-12	
APPROVED		DATE	
D. CROFT		03-14-12	
SCALE	SHEET	OF	REV:
NTS	1	1	A

DRAWING No
MHDM35 SERIES

RoHS COMPLIANT



MH CONNECTORS LTD.