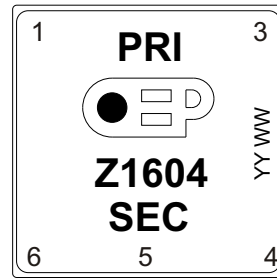


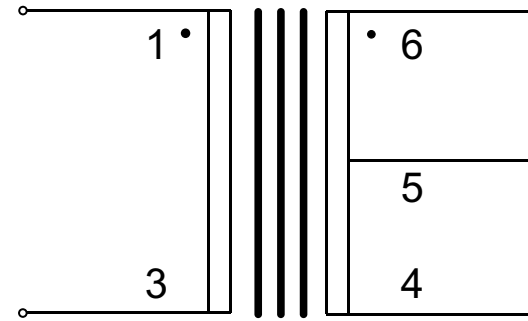


Note: pin numbers are shown here for clarification only. They are not printed on the label.

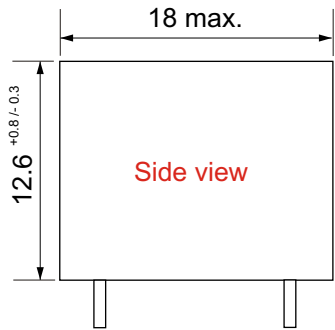


YY WW = date code

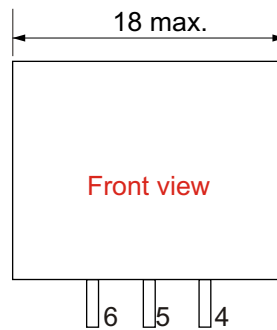
Top view



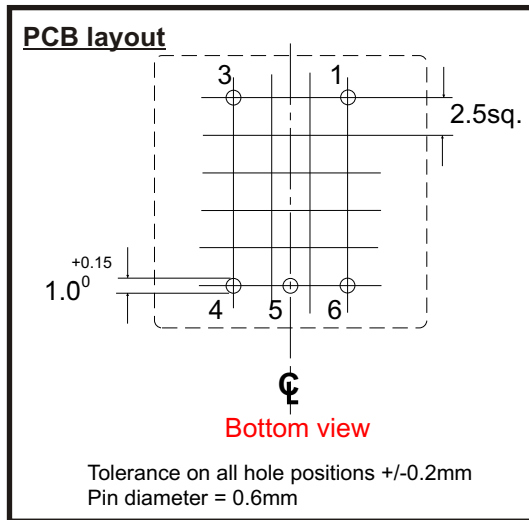
Electrical schematic
● = electrical start



Side view



Front view



Bottom view

Tolerance on all hole positions +/-0.2mm
Pin diameter = 0.6mm

Specification:

Turns ratio: 1:1 C.T.

Primary DC resistance: 109 +/-15%

Total secondary DC resistance: 134 +/-15%

Impedance matching:

600 to 600 C.T.

Power handling:

60Hz - 25kHz 2mW/600 for <1% THD at 60Hz

Frequency response at 2mW: 60Hz - 25kHz +/- 0.5dB

Frequency response at 0.2mW: 30Hz - 25kHz +/- 0.7dB

THD at levels below saturation typically <0.02%

Return loss better than 19dB, 300Hz - 3.4kHz

Inductance, measured at 0.27V, 100Hz, series equivalent

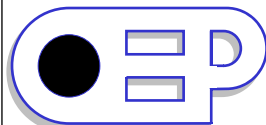
Primary: 7H min.

Secondary: 1.79H min. + 1.79H min.

Hi-pot, primary to secondary: 2kVAC for 2 seconds

Operating temperature range: -20 to + 75°C

Storage temperature range: -40°C to +125°C



Unit 5, Oxonian Park, Langford Locks,
Kidlington, Oxfordshire. OX5 1FP
Tel: (01865) 855085 Fax: (01865) 855075
Website: www.oep.co.uk

DESCRIPTION	ISSUE	DATE	DRAWN	CHECKED	DRAWING NUMBER
Specification for Z1604	1	04/07/02	CS		Z1604
	8	25/06/10	CS		
	9	06/06/11	CS		
	10	24/06/11	CS		

Scale: 2 to 1

All dimensions in mm unless stated otherwise