

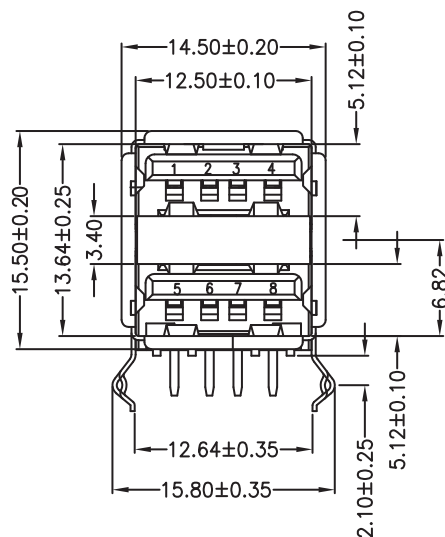
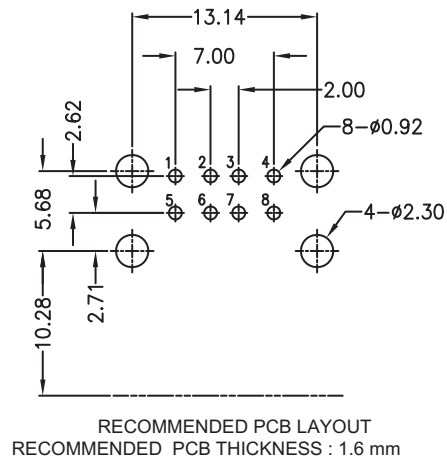
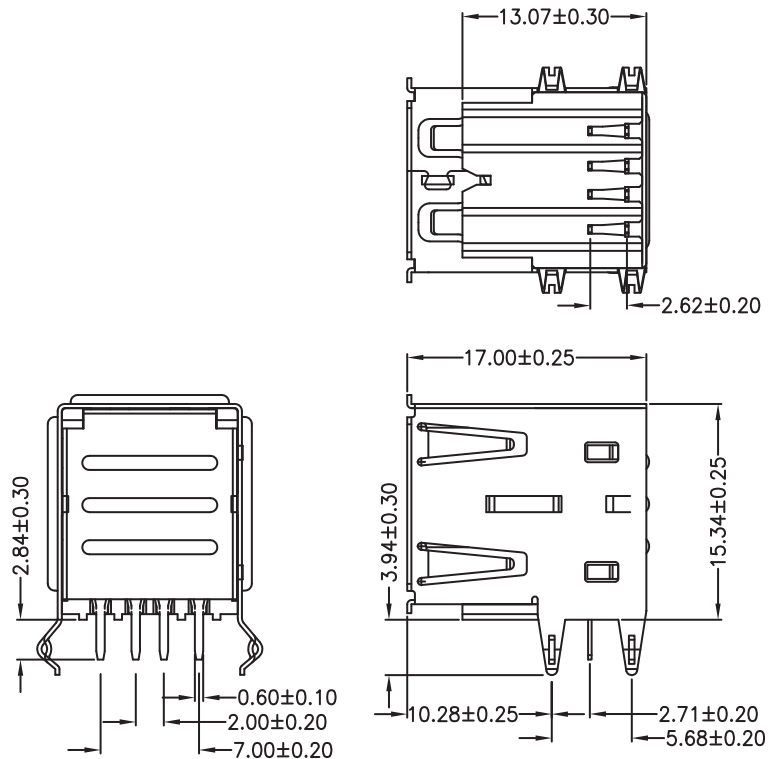
1

2

3

4

5



TECHNICAL CHARACTERISTICS

MATERIAL
INSULATOR: PBT
FLAMMABILITY RATING: UL94-V0
COLOR: WHITE
CONTACT MATERIAL: COPPER ALLOY
CONTACT TYPE: STAMPED
CONTACT PLATING: SELECTIVE GOLD
SHIELDING: BRASS Ni PLATED
QUALITY CLASS: 1500 MATING CYCLES

ENVIRONMENTAL
OPERATING TEMPERATURE: -40°C UP TO +105°C
COMPLIANCE: LEAD FREE AND ROHS

ELECTRICAL
CURRENT RATING: 1.5 A
WORKING VOLTAGE: 30 V
INSULATOR RESISTANCE: >1000 MΩ
DIELECTRIC WITHSTANDING VOLTAGE: 750 VAC/MIN
CONTACT RESISTANCE: 20 mΩ MAX

STANDARD
CERTIFIED: E323964

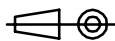
SOLDERING
JEDEC LEAD FREE WAVE SOLDERING

PACKAGING
TRAY

RoHS Compliant

N	03-OCT-17	TPK	AK
M	09-AVR-15	PCB THICKNESS	QP
L	27-OCT-14	REVIEW	QL
K	23-MAY-13	CURRENT RATING	QL
J	15-FEV-13	DESIGNATION	AR
I	25-SEP-12	DESCRIPTION	GG
H	09-JAN-12	NEW DRAWING	GG
REV	DATE	FILE	BY

PROJECTION:



APPROVAL: NPr

GENERAL TOLERANCE

.X = +/- 0.2

.XX = +/- 0.15



DESCRIPTION: DUAL USB 2.0 TYPE A HORIZONTAL

WERI PART NO: 614 008 260 21

SIZE

A4

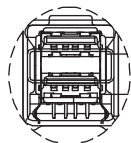
1

2

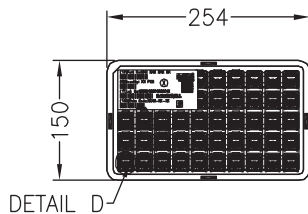
3

4

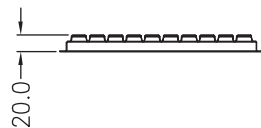
5



DETAIL D

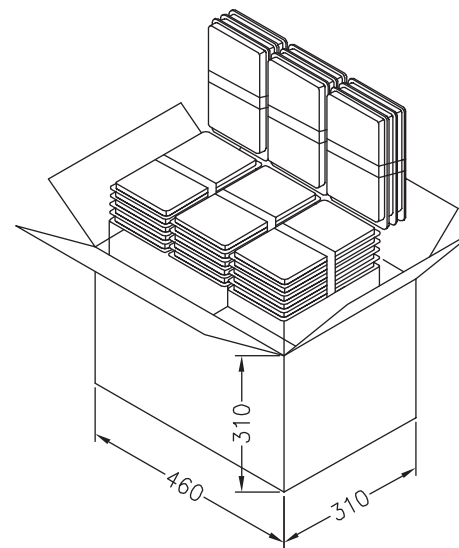
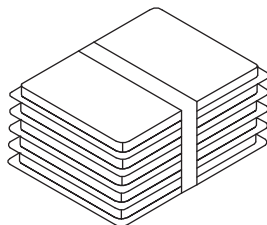


DETAIL D



Box size: 150*254*20mm

Flat 5 Tray/pile
Vertical 3 Tray/pile



Carton Size: 460*310*310mm

50 pcs/tray
56 trays/carton
2800 pcs/carton

RoHS Compliant

G			
F			
E			
D			
C			
B			
A			
REV	DATE	FILE	BY

PROJECTION:

GENERAL TOLERANCE
.X = +/- 0.2
.XX = +/- 0.15

APPROVAL: NPr

UNIT: MM
SCALE:
SHEET: 2/3
DRAW: AK



DESCRIPTION: DUAL USB 2.0 TYPE A HORIZONTAL
WERI PART NO: 614 008 260 21

SIZE
A4

A

B

C

D

1

2

3

4

5

Cautions and Warnings:

This electronic component is designed and developed with the intention for use in general electronics equipments.

Before incorporating the components into any equipments in the field such as aerospace, aviation, nuclear control, submarine, transportation, (automotive control, train control, ship control), transportation signal, disaster prevention, medical, public information network etc. where higher safety and reliability are especially required or if there is possibility of direct damage or injury to human body, Würth Elektronik must be asked for a written approval.

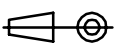

In addition, even electronic component in general electronic equipments, when used in electrical circuits that require high safety, reliability functions or performance, the sufficient reliability evaluation-check for the safety must be performed before by the user before usage.

A

B

C

RoHS Compliant

G				PROJECTION: 	GENERAL TOLERANCE .X = +/- 0.2 .XX = +/- 0.15		
F							
E							
D							
C				APPROVAL: JC	UNIT: MM	DESCRIPTION: DISCLAIMER	SIZE A4
B					SCALE:		
A	10-SEP-14	PDF	QL		SHEET: 3/3	WERI PART NO: DISCLAIMER	
REV	DATE	FILE	BY		DRAW: QL		

D