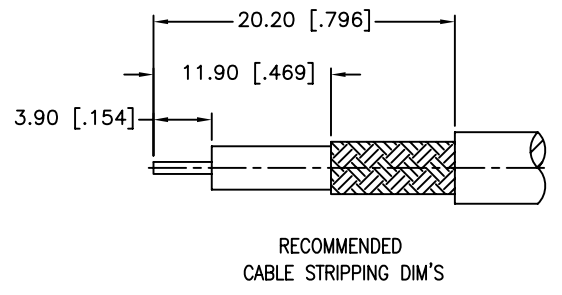
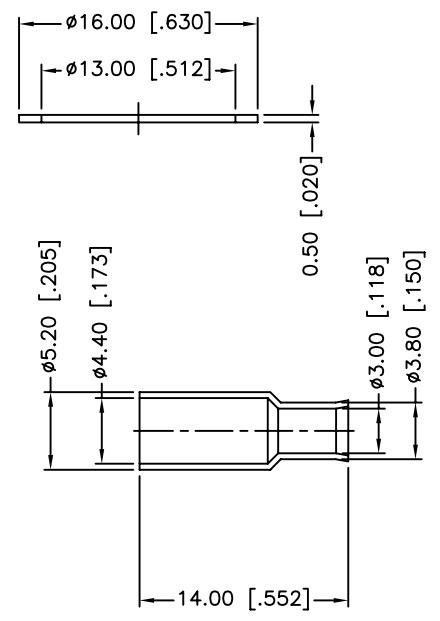
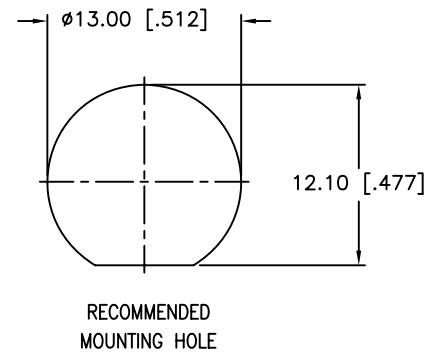
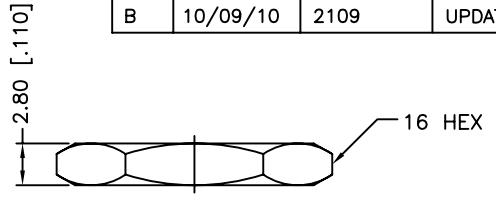
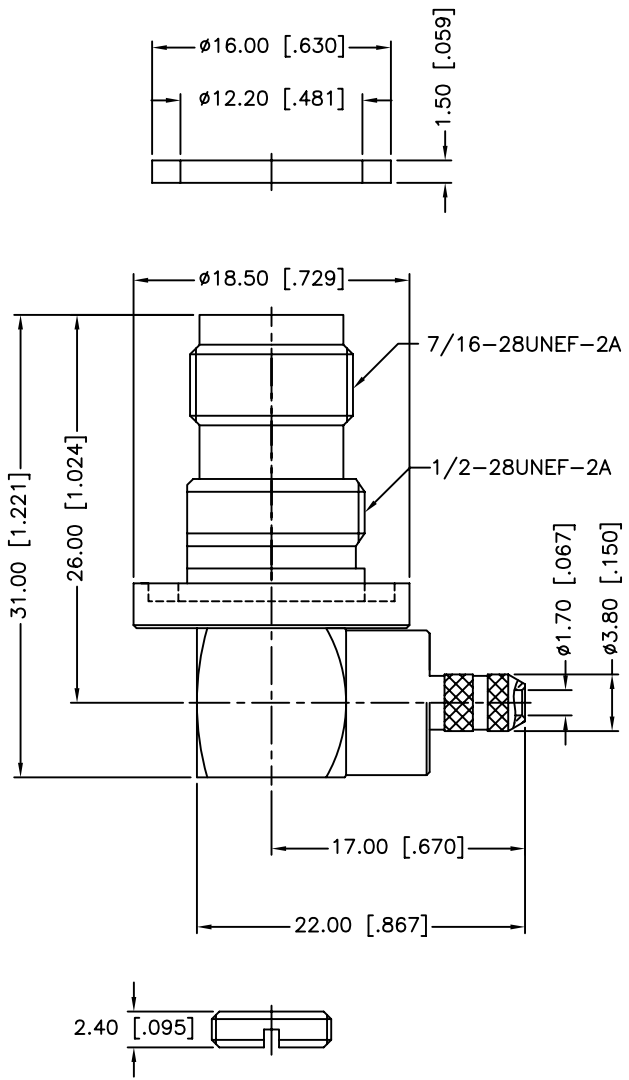


REV.	DATE	ECR NO.	DESCRIPTION
NC	04/18/00	XXXXXX	INITIAL RELEASE
A	08/13/06	XXXXXX	UPDATE DRAWING FORMAT
B	10/09/10	2109	UPDATE THE D FLAT POSITION



NOTE:
1. CRIMPED FERRULE
HEX CRIMP SIZE .178"

DESCRIPTION	MATERIAL	FINISH	QTY
10 NUT	BRASS	NICKEL	1
9 FERRULE	BRASS	NICKEL	1
8 HEX NUT	BRASS	NICKEL	1
7 LOCK WASHER	BRASS	NICKEL	1
6 GASKET	RUBBER	RED	1
5 CONTACT PIN	PHOSPHOR BRONZE	GOLD	1
4 BODY	BRASS	NICKEL	1
3 INSULATOR	PTFE	NATURAL	1
2 HOUSING	BRASS	NICKEL	1
1 BARREL	BRASS	NICKEL	1

UNLESS OTHERWISE SPECIFIED DIMENSIONS ARE IN MILLIMETERS. DIMENSIONS IN [] ARE IN INCHES AND FOR CUSTOMER REFERENCE ONLY.

UNLESS OTHERWISE SPECIFIED TOLERANCES FOR MILLIMETERS ARE:
 0.5 - 8mm ± 0.20 mm
 8 - 30mm ± 0.40 mm
 30 - 120mm ± 0.50 mm

UNLESS OTHERWISE SPECIFIED TOLERANCES FOR INCHES ARE:
 .020 - .315 = ± 0.007 "
 .315 - 1.180 = ± 0.015 "
 1.180 - 4.724 = ± 0.020 "

DO NOT SCALE DRAWING

APPROVALS	DATE
DRAWN M.ZHANG	10/09/10
CHECKED	
ISSUED	
SHEET 1 OF 1	
CAD FILE C:/CONNEX/122454.DWG	

Amphenol Connex

PART DESCRIPTION
**TNC R/A BULKHEAD CRIMP JACK
(FOR RG-174/U,188A/U,316/U)**

PART NO.
122454

DWG. NO. 122454.DWG	REV. B	SIZE A	SCALE NA
---------------------	--------	--------	----------