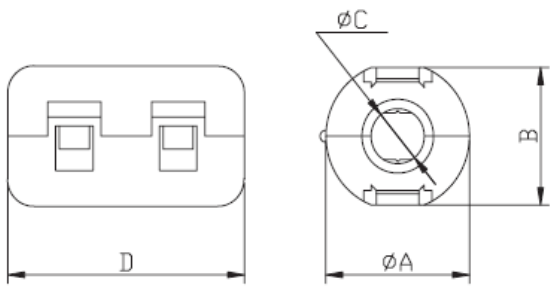



Datasheet

Item no. 1589536

MATERIAL		RF75	
DIMENSIONS			
A	19.5 ± 1.0 (mm)		
B	18.0 ± 1.0 (mm)		
C	9.00 ± 0.3 (mm)		
D	35.0 ± 1.0 (mm)		
			
ELECTRIC CHARACTER		25 MHz	100 MHz
		≥ 80	≥ 160
WINDING		2 UEW Φ0.65 × 120 mm 1/2Ts	
TEST CONDITIONS		temperature 25 °C humidity 75 %	

