

6609014-7 ✓ ACTIVE

Corcom | Corcom EF

TE Internal #: 6609014-7

Corcom EF, Multi-Function Inlet Filters, Power Line, Right Angle, Leakage Current (Max) (120VAC, 60Hz) 210 μ A

[View on TE.com >](#)



EMI Filters > Multi-Function Inlet Filters > CORCOM EF SERIES IEC FILTERED INLETS



Filter Type: **Power Line**

Mount Angle: **Right Angle**

Leakage Current (Max) (120VAC, 60Hz): **210 μ A**

Leakage Current (Max) (250VAC, 50Hz): **360 μ A**

Filter Current Rating: **3 A**

[All CORCOM EF SERIES IEC FILTERED INLETS \(15\)](#)

Features

Product Type Features

Ground Choke Option	No
Ground Option	None
Filter Type	Power Line
Filter Input Termination Type	IEC
Filter Output Termination Type	Wire Lead
Filtering Requirements	Filtered
Filter Connector Type	IEC 60320-1 C-14

Electrical Characteristics

Leakage Current (Max) (120VAC, 60Hz)	210 μ A
Leakage Current (Max) (250VAC, 50Hz)	360 μ A
Filter Current Rating	3 A
Voltage Rating (Max)	250 VAC

Mechanical Attachment

Mount Angle	Right Angle
Filter Mount Style	Flanged

Usage Conditions

Operating Temperature Range	-10 – 40 °C
-----------------------------	-------------



Product Compliance

[For compliance documentation, visit the product page on TE.com>](#)

EU RoHS Directive 2011/65/EU	Compliant
EU ELV Directive 2000/53/EC	Compliant
China RoHS 2 Directive MIIT Order No 32, 2016	No Restricted Materials Above Threshold
EU REACH Regulation (EC) No. 1907/2006	Current ECHA Candidate List: JAN 2021 (211) Candidate List Declared Against: JUN 2018 (191) SVHC > Threshold: Not Yet Reviewed
Halogen Content	Not Low Halogen - contains Br or Cl > 900 ppm.
Solder Process Capability	Not applicable for solder process capability

Product Compliance Disclaimer

This information is provided based on reasonable inquiry of our suppliers and represents our current actual knowledge based on the information they provided. This information is subject to change. The part numbers that TE has identified as EU RoHS compliant have a maximum concentration of 0.1% by weight in homogenous materials for lead, hexavalent chromium, mercury, PBB, PBDE, DBP, BBP, DEHP, DIBP, and 0.01% for cadmium, or qualify for an exemption to these limits as defined in the Annexes of Directive 2011/65/EU (RoHS2). Finished electrical and electronic equipment products will be CE marked as required by Directive 2011/65/EU. Components may not be CE marked. Additionally, the part numbers that TE has identified as EU ELV compliant have a maximum concentration of 0.1% by weight in homogenous materials for lead, hexavalent chromium, and mercury, and 0.01% for cadmium, or qualify for an exemption to these limits as defined in the Annexes of Directive 2000/53/EC (ELV). Regarding the REACH Regulation, the information TE provides on SVHC in articles for this part number is based on the latest European Chemicals Agency (ECHA) 'Guidance on requirements for substances in articles' posted at this URL: <https://echa.europa.eu/guidance-documents/guidance-on-reach>

Compatible Parts

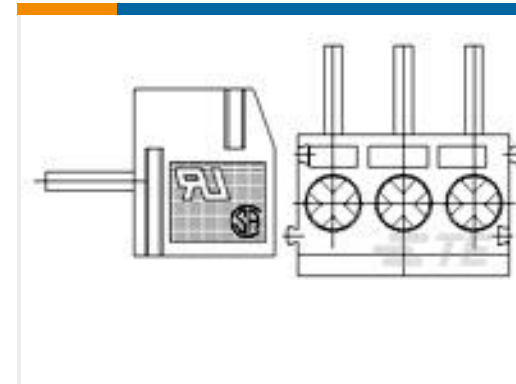
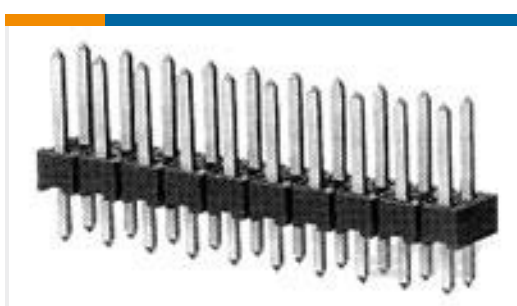


Also in the Series | Corcom EF



Multi-Function Inlet Filters(15)

Customers Also Bought

TE Part #1-1734829-1
AMP HPI 1.25MM HEADERSTE Part #226781-3
ARINC SIZE 15 SOCKETTE Part #1-1744418-6
16 POS EP 2.5 HDR, GLOW WIRETE Part #1776253-8
R/A Top Wire Entry, 3.5mm, HT,TE Part #1969591-5
HSG,REC,PANEL MOUNT,GWT,
SINGLE ROW,EP2.5TE Part #1969591-9
HSG,REC,PANEL MOUNT,GWT,
SINGLE ROW,EP2.5TE Part #2007815-3
IMP100S,H,V4P10C,RG,LEW39,5.5TE Part #3-641523-4
04P MTA156 POST CON ASSY LFTE Part #829394-4
2X4P MOD II UNSHRD HDR, ST, 0.8 AUTE Part #1676210-1
RN 0805 182R 0.1% 10PPM CUT
LENGTH

Documents

Product Drawings

[3EF4=F7110 S0](#)

English

CAD Files

Customer View Model

[ENG_CVM_6609014-7_C.3d_igs.zip](#)

English

Customer View Model



[ENG_CVM_6609014-7_C.3d_stp.zip](#)

English

Customer View Model

[ENG_CVM_6609014-7_C.2d_dxf.zip](#)

English

3D PDF

English

By downloading the CAD file I accept and agree to the [Terms and Conditions](#) of use.

Datasheets & Catalog Pages

[1654001_CORCOM_PRODUCT_GUIDE](#)

English

[1654001_CORCOM_PRODUCT_GUIDE_EF_SERIES](#)

English

[Corcom Combined Selector Charts](#)

English