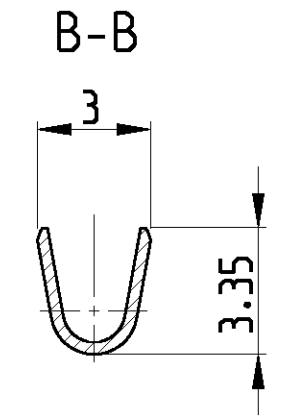
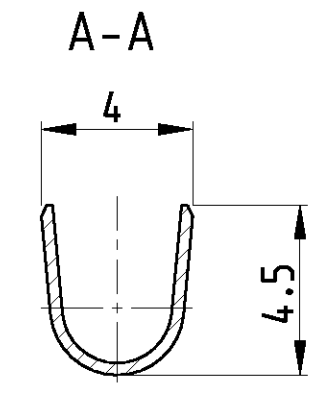
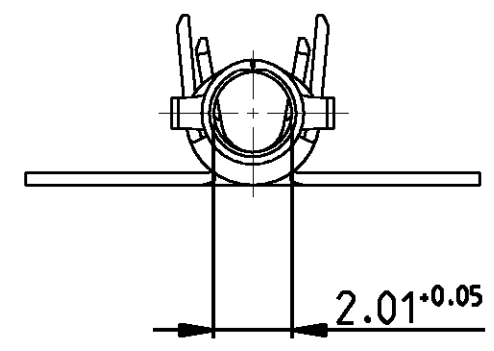
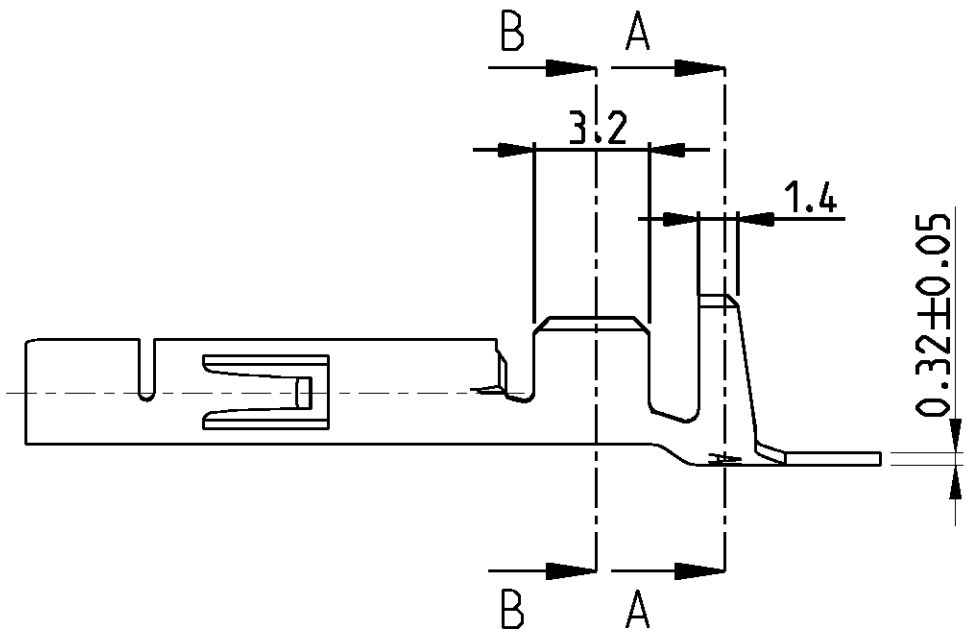


THIS DRAWING IS UNPUBLISHED. RELEASED FOR PUBLICATION  
 © COPYRIGHT - BY - ALL RIGHTS RESERVED.

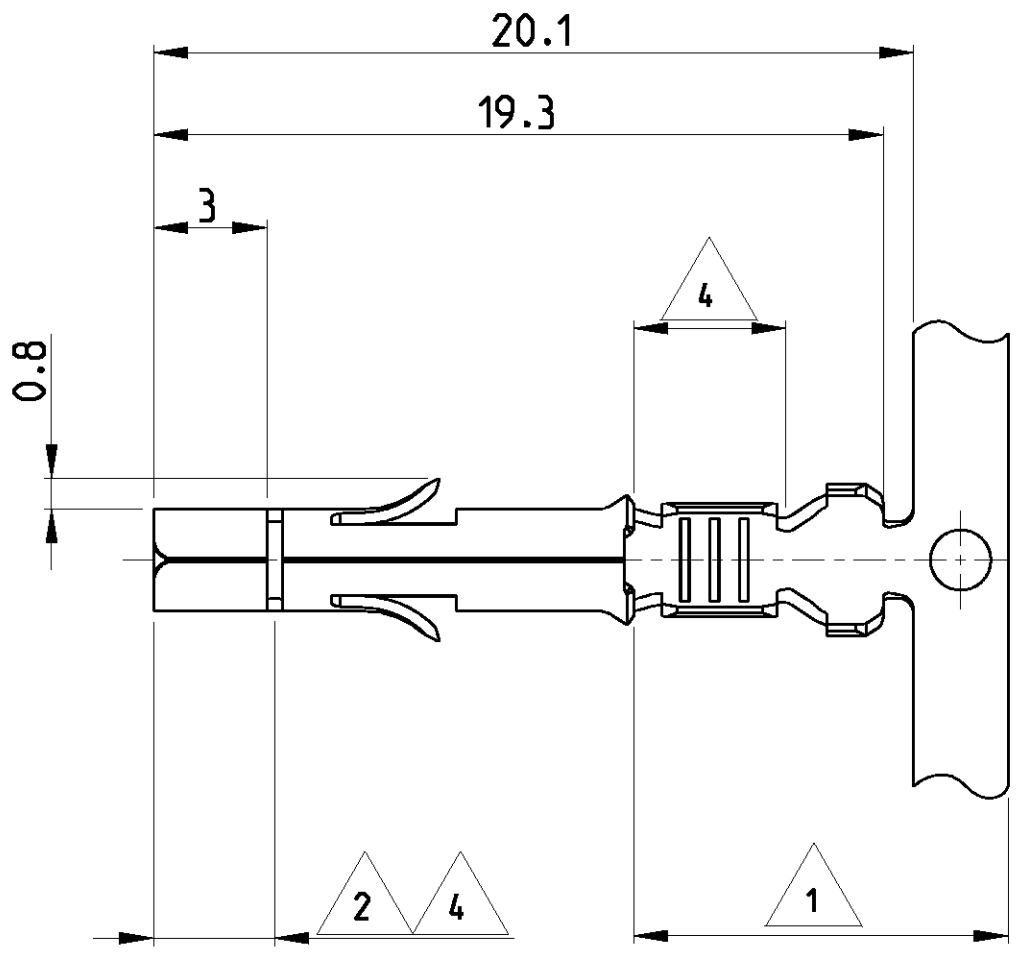
LOC	DIST	REVISIONS			
P	LTR	DESCRIPTION	DATE	DWN	APVD
AL	2	M2	ECR-11-005629	17AUG2011	C.J R.P



**NOTES:**

Bemerkungen:

- 1 2-6 µm Sn OVER Ni IN CRIMP-AREA  
2-6 µm Sn über Ni in der Crimpzone
- 2 0.8 µm Au OVER Ni IN CONTACT-AREA  
0.8 µm Au über Ni in der Kontaktzone
- 3 SUITABLE FOR Ø1.0-2.5mm  
Für Isolations Ø1.0-2.5mm geeignet
- 4 0.8 µm Au OVER 1.3 µm Ni ON INSIDE OF WIRE BARREL AND CONTACT AREA  
0.8 µm Au über 1.3 µm Ni in der Drahtcrimp und Kontaktzonen, sonst 1.3 µm Ni



Superseded by 350536-6  
**OBSOLETE**

REELING	LOOSE PIECE	PART NO.	MATERIAL	FINISH
107-3, FIG.2		926882-8	CuZn30	PRE-TIN
107-3, FIG.1	926893-7	926884-7	CuZn30	1 2
<del>107-3, FIG.1</del>	<del>926893-6</del>	<del>926884-6</del>	<del>CuSn4</del>	<del>1 2</del>
<del>107-3, FIG.1</del>	<del>926893-5</del>	<del>926882-5</del>	<del>CuCrZr</del>	<del>PRE-TIN</del>
107-3, FIG.1	926893-4	926882-4	CuCrZr	PLAIN
107-3, FIG.1	926893-3	926882-3	CuSn4	PRE-TIN
107-3, FIG.1	926893-2	926882-2	CuZn30	4
107-3, FIG.1	926893-1	926882-1	CuZn30	PRE-TIN

DIMENSIONS: mm 		TOLERANCES UNLESS OTHERWISE SPECIFIED: 0 PLC ±0.2 1 PLC ±0.2 2 PLC ±0.2 3 PLC ± 4 PLC ± ANGLES ±1° FINISH SEE TABLE		DWN J.Skoda 29NOV2005 CHK R.Vlcek - APVD M.Bleicher - PRODUCT SPEC 108-1031 APPLICATION SPEC 114-18011 WEIGHT -					
MATERIAL SEE TABLE		FINISH SEE TABLE		CUSTOMER DRAWING			NAME UNIVERSAL MNL Socket 0.5-2.1 mm <sup>2</sup> WIRE RANGE SIZE A3 CAGE CODE 00779 DRAWING NO C-926882 RESTRICTED TO		
				SCALE 5:1		SHEET 1 OF 1		REV M2	