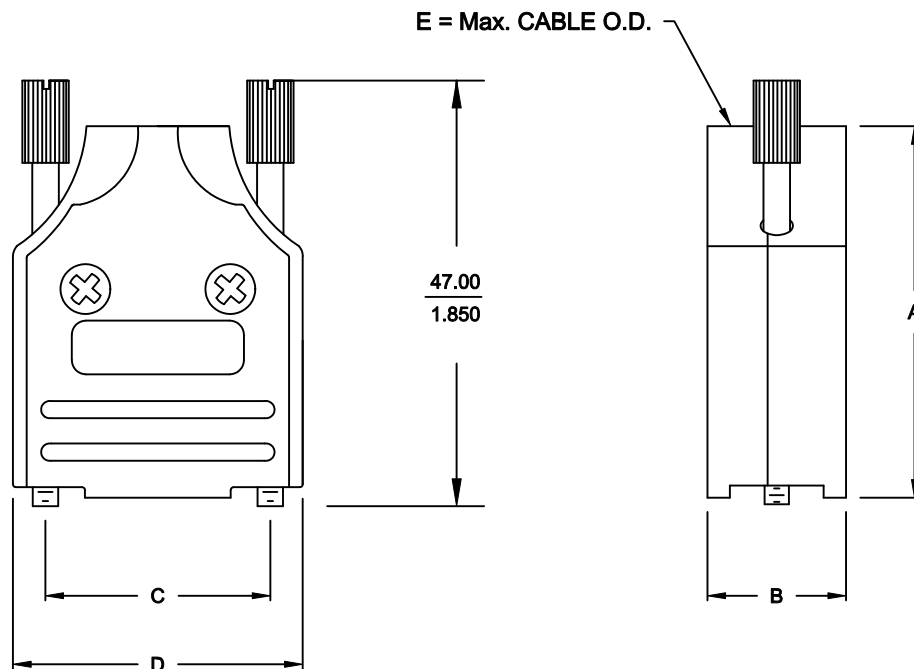


BACKSHELL KIT INCLUDES:

- (2) BACKSHELL HALVES
- (2) STRAIN RELIEF CLAMPS
- (2) STRAIN RELIEF SCREWS
- (2) MOUNTING SCREWS
- (2) THUMBSCREWS
- (1) SET METALIZED PLASTIC INSERTS - VARIOUS SIZES,
6.2mm (0.244"), 8.2mm (0.323"), 10.2mm (0.402")

DIMENSIONS (mm/in)					
SIZE:	A ± 0.25 ± 0.010	B ± 0.25 ± 0.010	C ± 0.13 ± 0.005	D ± 0.25 ± 0.010	E
09	41.30	15.39	24.99	32.21	13.00
	1.626	0.606	0.984	1.268	0.512
15	43.31	15.39	33.32	40.59	13.00
	1.705	0.606	1.312	1.598	0.512
25	49.50	15.39	47.04	54.51	13.00
	1.949	0.606	1.852	2.146	0.512
37	54.31	15.39	63.50	70.69	13.00
	2.138	0.606	2.500	2.783	0.512



ORDERING INFORMATION:

SIZE:	P/N - KITTED:	PRODUCT CODE:
9-WAY	6560-0136-01	MHDM-09-K
15-WAY	6560-0136-02	MHDM-15-K
25-WAY	6560-0136-03	MHDM-25-K
37-WAY	6560-0136-04	MHDM-37-K

SIZE:	P/N - BULK:	PRODUCT CODE:
9-WAY	6561-0136-01	MHDM-09
15-WAY	6561-0136-02	MHDM-15
25-WAY	6561-0136-03	MHDM-25
37-WAY	6561-0136-04	MHDM-37

SPECIFICATION:

- BACKSHELL: MATERIAL: DIE CAST ZINC NICKEL PLATED
- COMPRESSION INSERT: ABS - UL RECOGNIZED
- 4-40 THUMBSCREWS: STEEL - Zn PLATED
- HOUSING SCREWS: STEEL - Zn PLATED
- STRAIN RELIEF CLAMP: STEEL - NICKEL PLATED
- STRAIN RELIEF SCREWS: STEEL - Zn PLATED
- OPERATING TEMP: -40°C TO +120°C

THESE DRAWINGS AND SPECIFICATIONS ARE THE PROPERTY OF MH CONNECTORS LTD. AND SHALL NOT BE REPRODUCED, COPIED OR USED AS THE BASIS FOR THE MANUFACTURE OR SALE OF APPARATUS WITHOUT WRITTEN PERMISSION.

DRAWN P. JENKINS	DATE 03-14-12
----------------------------	-------------------------

APPROVED D. CROFT	DATE 03-14-12
-----------------------------	-------------------------

SCALE NTS	SHEET 1	OF 1	REV: A
---------------------	-------------------	----------------	------------------

DRAWING No
MHDM SERIES

RoHS COMPLIANT

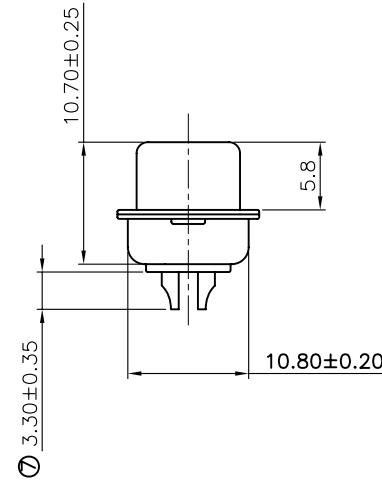
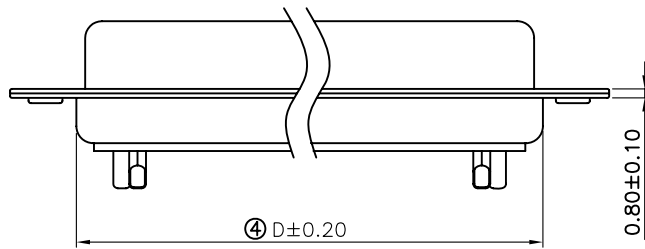
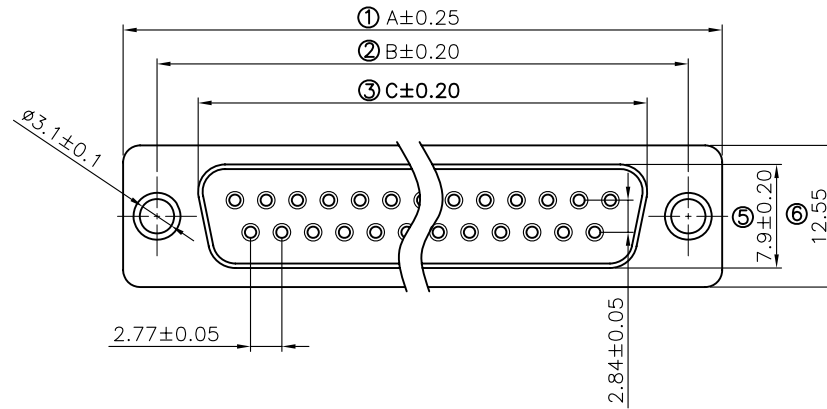


MH CONNECTORS LTD.

THIS IS A C.A.D. GENERATED DRAWING
DO NOT MAKE MANUAL REVISIONS TO MASTER.



* UNLESS OTHERWISE SPECIFIED TOLERANCES
ON DECIMAL IS: ANGLE ± 1°
.X ± 0.25
.XX ± 0.15



Remark:

1.SPECIFICATION:

Rated voltage:250V
Rates current:5AMP
Contact resistance:20MΩ MAX
Insulation resistance:1000MΩ MIN.at 500V DC
Withstand voltage:500V Per mintute
Temperature range:-55 -105°C

2.MATERIAL:

Plastic:PBT+30% G.F (UL94V-0) BLACK
Terminal:brass ,tin-gold plated
Spcc shell:Spcc front shell is ni plated back shell is tin plated

PN	PIN	A	B	C	D
MHDB9SS	09	30.88	24.88	16.17	18.94
MHDB15SS	15	39.20	33.30	24.66	27.50
MHDB25SS	25	53.02	47.04	38.38	41.20
MHDB37SS	37	69.40	63.50	55.20	57.40

THESE DRAWINGS AND SPECIFICATIONS ARE THE PROPERTY OF MH CONNECTORS LTD. AND SHALL NOT BE REPRODUCED, COPIED OR USED AS THE BASIS FOR THE MANUFACTURE OR SALE OF APPARATUS WITHOUT WRITTEN PERMISSION.

DRAWN Johnny	DATE 07-16-12
APPROVED	DATE

SCALE 1:1	SHEET OF 1 OF 1	REV: 1
--------------	--------------------	-----------

DRAWING No
MHDB SS



THIS SERIES FULLY CONFORMS TO THE EUROPEAN UNION DIRECTIVES 2002/95/EC AND 2002/96/EC FOR RoHS COMPLIANCY.



MH CONNECTORS LTD.