

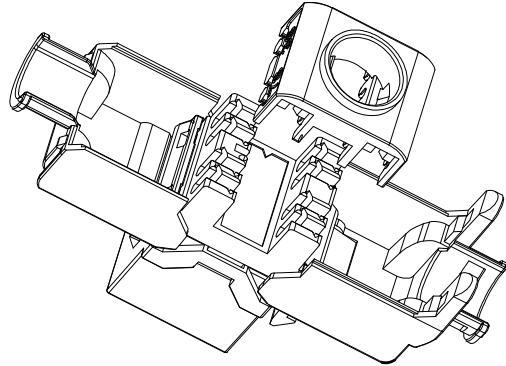
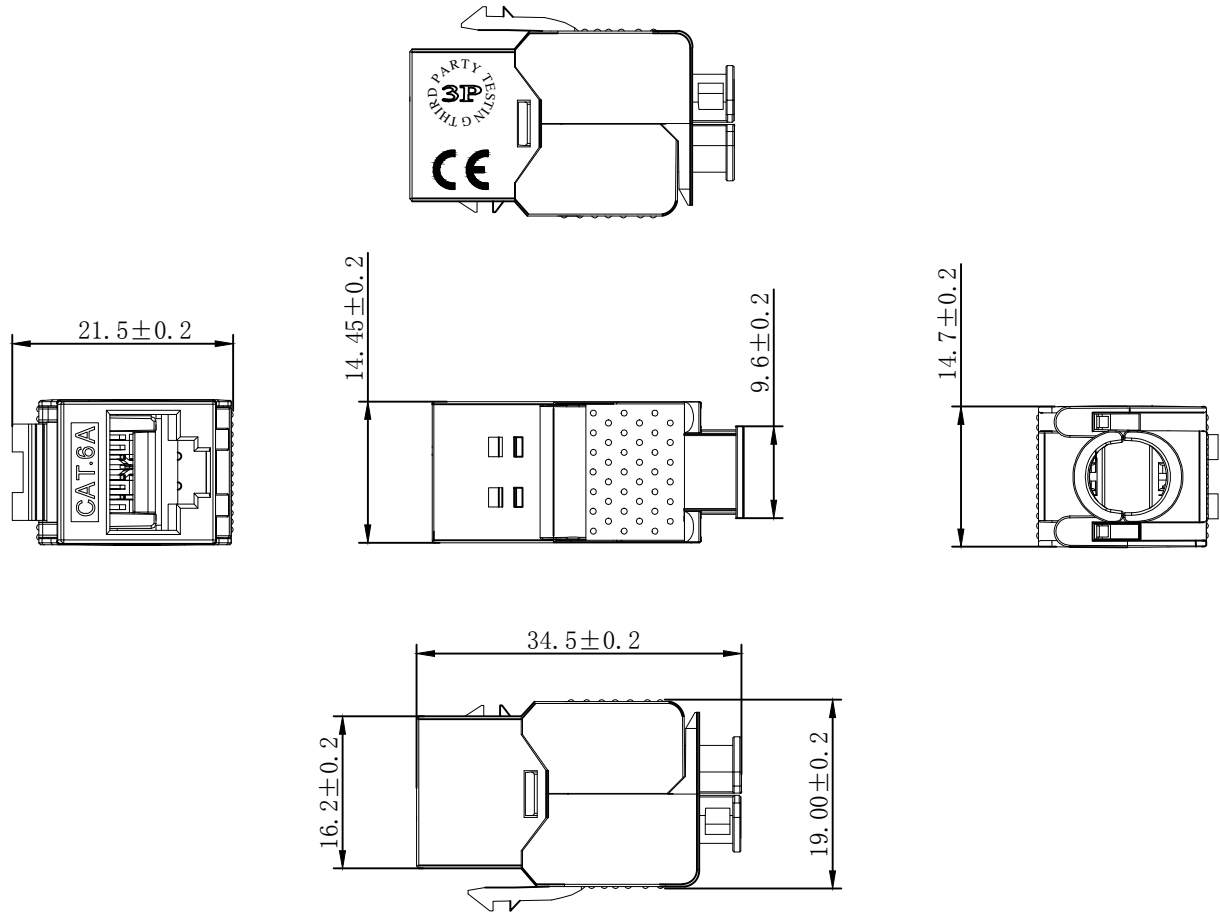
SYNERGY 2 <sup>®</sup> pantone black C

1 pantone blue 298C

NOTE:

- 1. PANEL FRAME:SPCC CARBON STEEL T=1.2MM POWDER COATING
- 2. PANEL BRACKET SPCC NICKEL PLATING
- 3. BODY COLOR: Gray "1 2 3.....24" Color: black Font : Arial H:4.4MM
- 4. Accessory:
  - 1. Cable Tie(75X1.9mm) \*24pcs
  - 2. Screw and Nut M6\*18mm × 2set

SYNERGY 21									
CUSTOMER			ITEM NO.			S216333			
PRODUCT NAME		19" 0.5U 24 ports blank Patch panel Three-piece type			MANUFACTURE COUNTRY:		CHINA	UNIT	MM
NEW			2016-1-15		A	DRAWNBY		CHECKBY	
BY		CHK		REVISION RECORD MODIFICATIONS			DATE		REV.
SYNERGY 21			SYNERGY 21			SYNERGY 21		2016-1-15	



**NOTES:**

**ELECTRICAL:**

1. Contact Resistance : 20MΩ MAX
2. Insulation Resistance : 500MΩ MIN @ 500V DC
3. Withstand Voltage : DC 1000V AC 700V RMS 60Hz, 1MIN
4. Component testing for Cat. 6A to ISO/IEC 11801 Ed. 2.2:2011-06  
DIN EN 50173-1:2011-09  
TIA/EIA-568-C.2 (2009-08)  
IEC 60603-7-5 Ed.1 (12/2008)
5. Compliance with Class EA up to 500 MHz to ISO/IEC 11801 Ed.2.2:2011-06  
DIN EN 50173-1:2011-09

**ENVIRONMENTAL:**

1. Storage temperature : -40° T0+70°
2. Operation temperature : -10° to+60°

**MECHANICAL**

1. SHIELD MATERIAL: ZINC ALLOY (Silver)
  2. IDC MATERIAL: PC TERMINAL:PHOSPHOR BRONZE, TIN PLATING
  3. RJ45 Contact Life: 750 Times Min
  4. Plug inforce:<30N
  5. Solid cable:1/22AWG(0.65MM)-1/26AWG(0.40MM) ID:1.05MM-1.5MM
  6. Cable OD: 5.0mm-8.0mm
  7. PoE per IEEE 802.3af, PoE+ per IEEE 802.3at
  8. 360° Shield connection
- Packing: 1pc/PE Bag + Label  
RoHS 2.0 and REACH Compliant

**MATERIAL LIST:**

⑦	MODULAR COVER	PC White	1	
⑥	RJ 45 JACK INSERT	PHOSPHOR BRONZE 8P8C GOLD PLATED	8	
⑤	PCB	1.2mm UL 94V0	1	
④	IDC BODY	PC White	1	
③	IDC PIN	PHOSPHOR BRONZE & TINNED	8	
②	LABEL COLOR CODE	T568A/B	2	
①	IDC TERMINAL	FOR 22-26AWG(0.40mm-0.65mm) CABLE	1	

NO	PARTS NAME	SPECIFICATION STANDARD	QT' Y	REMARK
		NEW	2020-02-21	A
BY	CHK	REVISION RECORD MODIFICATIONS	DATE	REV.

SYNERGY 21					
CUSTOMER	ITEM NO.	S216364			
PRODUCT NAME	manufacture country:	china	UNIT	MM	
CAT. 6A STP KEYSTONE JACK					
DRAWNBY	CHECKBY	APPOBY	DATE		
SYNERGY 21	SYNERGY 21	SYNERGY 21	2020-02-21		