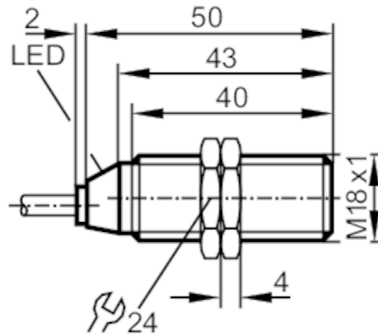


# MGS202



## Magnetic sensor

MGB3070-APKG/ZH



### Product characteristics

Electrical design		PNP
Output function		normally closed
Sensing range	[mm]	70; (referred to magnet M 4.0)
Housing		threaded type
Dimensions	[mm]	M18 x 1 / L = 50

### Electrical data

Operating voltage	[V]	10...30 DC
Current consumption	[mA]	< 10
Protection class		II
Reverse polarity protection		yes

### Outputs

Electrical design		PNP
Output function		normally closed
Max. voltage drop switching output DC	[V]	2.5
Permanent current rating of switching output DC	[mA]	200
Switching frequency DC	[Hz]	5000
Short-circuit protection		yes
Overload protection		yes

### Detection zone

Sensing range	[mm]	70; (referred to magnet M 4.0)
Response sensitivity	[mT]	0.8

### Accuracy / deviations

Hysteresis	[% of Sr]	1...10
------------	-----------	--------

### Operating conditions

Ambient temperature	[°C]	-25...75
Protection		IP 67

# MGS202



## Magnetic sensor

MGB3070-APKG/ZH

### Tests / approvals

EMC	EN 61000-4-2 ESD	4 kV CD / 8 kV AD
	EN 61000-4-3 HF radiated	10 V/m
	EN 61000-4-4 Burst	2 kV
	EN 61000-4-5 Surge	0,5 kV line to line, Ri: 2 Ohm
	EN 61000-4-6 HF conducted	10 V
	EN 55011	class B
MTTF	[years]	2630

### Mechanical data

Weight	[g]	130.5
Housing		threaded type
Dimensions	[mm]	M18 x 1 / L = 50
Thread designation		M18 x 1
Materials		housing: stainless steel; sensing face: PBT orange; lock nuts: brass

### Displays / operating elements

Display	switching status	1 x LED, yellow
---------	------------------	-----------------

### Accessories

Accessories (supplied)	lock nuts: 2
------------------------	--------------

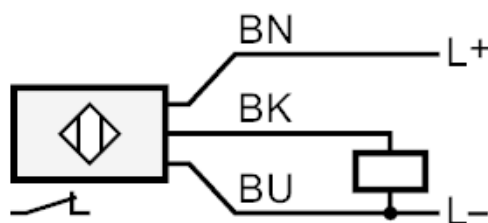
### Remarks

Pack quantity	1 pcs.
---------------	--------

### Electrical connection

Cable: 2 m, PUR; 3 x 0.34 mm<sup>2</sup>

### Connection



Core colours :

- BK = black
- BN = brown
- BU = blue