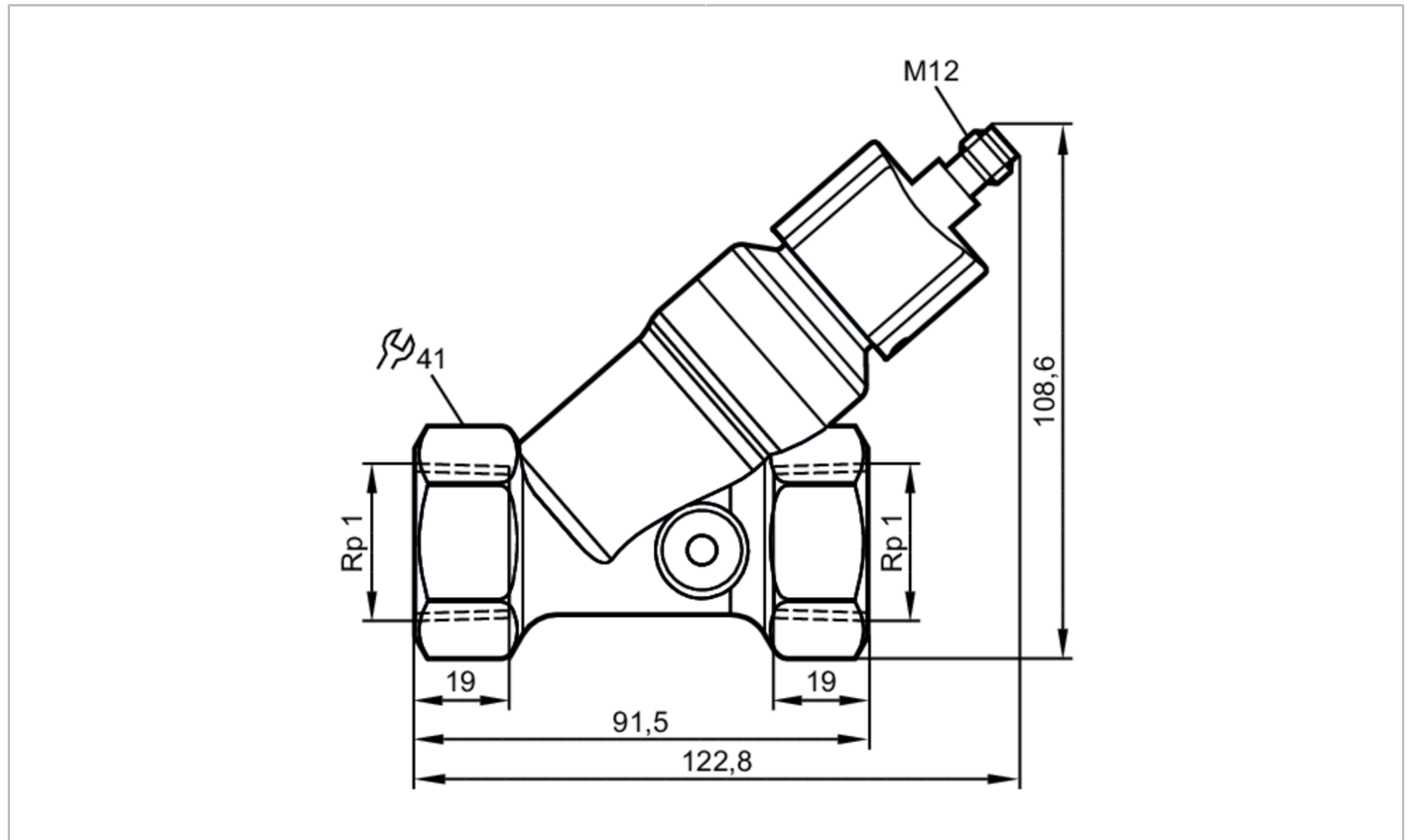


SBY446



Flow transmitter with integrated backflow prevention

SBY11HF010KG/US



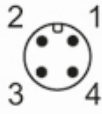
Product characteristics	
Measuring range	[l/min] 4...100
Process connection	Rp 1
Application	
Media	Liquids; water; glycol solutions; oils; coolants
Medium temperature	[°C] -10...100
Pressure rating	[bar] 25
Electrical data	
Operating voltage	[V] 18...32 DC; (to SELV/PELV)
Current consumption	[mA] < 35
Protection class	III
Reverse polarity protection	yes
Outputs	
Output signal	analogue signal
Analogue current output	[mA] 4...20
Max. load	[Ω] 500
Short-circuit protection	yes
Overload protection	yes
Measuring/setting range	
Measuring range	[l/min] 4...100

SBY446



Flow transmitter with integrated backflow prevention

SBY11HF010KG/US

Accuracy / deviations		
Repeatability [% of the final value]	1	
Measuring error [% of the final value]	± 5	
Response times		
Response time [s]	< 0.01	
Operating conditions		
Ambient temperature [°C]	0...60	
Storage temperature [°C]	-15...80	
Protection	IP 65; IP 67	
Tests / approvals		
EMC	DIN EN 61000-6-2	
	DIN EN 61000-6-3	
Shock resistance	DIN EN 60068-2-27	20 g (11 ms)
Vibration resistance	DIN EN 60068-2-6	5 g (10...2000 Hz)
MTTF [years]		778
Mechanical data		
Weight [g]		701
Materials	brass chemically nickel-plated; PP; stainless steel (1.4404 / 316L); aluminium anodised; PA	
Materials (wetted parts)	stainless steel (1.4401 / 316); brass; brass chemically nickel-plated; PP; PPS; O-ring: FKM	
Process connection		Rp 1
Switching cycles mechanical		10 million
Remarks		
Remarks	Recommendation Use 200 micron filtration All data refer to water (20 °C).	
Pack quantity		1 pcs.
Electrical connection		
Connector: 1 x M12		
		

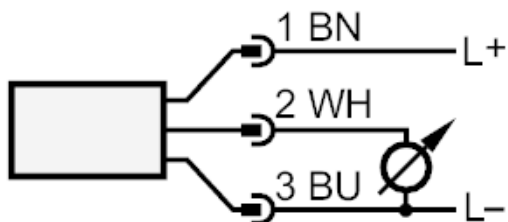
SBY446



Flow transmitter with integrated backflow prevention

SBY11HF010KG/US

Connection



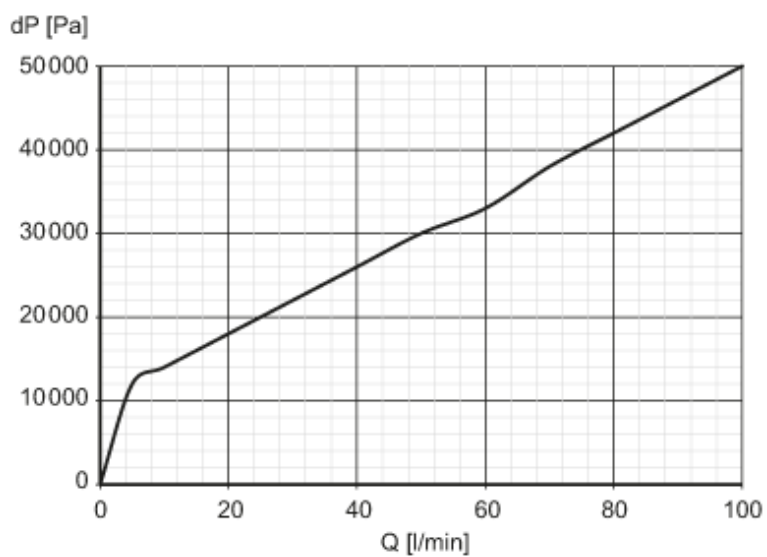
colours to DIN EN 60947-5-2

Core colours :

BN = brown
BU = blue
WH = white

Diagrams and graphs

Pressure loss



dP Pressure loss

Q volumetric flow quantity