

## M12 Y-DISTRIBUTOR / M12 FEMALE 90° LED

PVC 3X0.34 blackUL/CSA 1.5m

Male straight, to females 90°

Y-connector M12 - M12, 4-pole

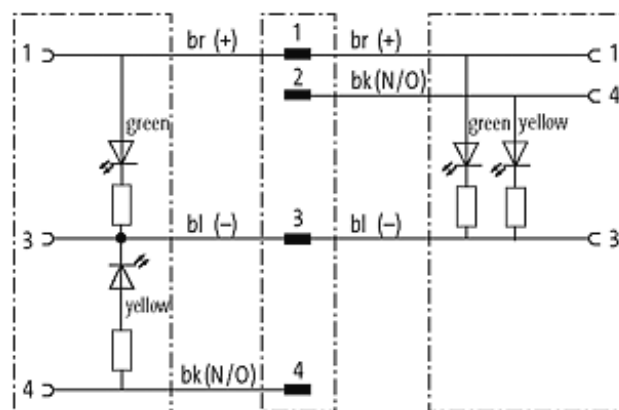
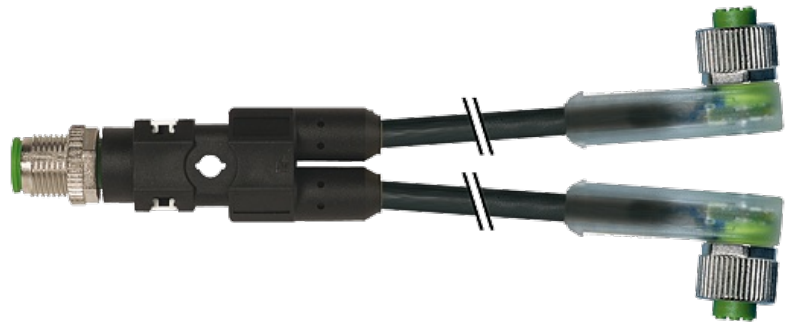
2 × LED (PNP), (NPN) on request

Art.-No. 7005 - M12 Lite - (plastic hexagonal screw) on request

Plastic housings with good resistance against chemicals and oils. The resistance to aggressive media should be individually tested for your application. Further details on request. Further cable lengths on request.

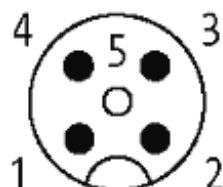
### [Link to Product](#)

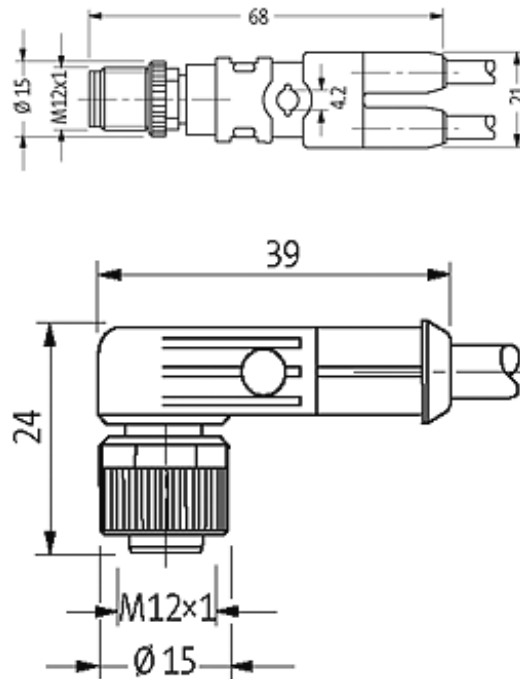
#### Illustration



Y-Male

Females





Product may differ from Image

### Approvals



\* only for products with UL/CSA approved cable

### Form

40781

### Technical Data

|                               |  |
|-------------------------------|--|
| Operating voltage             | 24 V DC $\pm 25\%$   |
| Operating current per contact | max. 4 A   |
| Locking of ports              | Screw thread M12 $\times$ 1 mm (recommended torque 0.6 Nm) self-securing |
| Protection                    | IP67 inserted and tightened (EN 60529)                                   |

### Cables

|                             |                                 |
|-----------------------------|---------------------------------|
| Cable number                | 613                             |
| No./diameter of wires       | 3 $\times$ 0.34 mm <sup>2</sup> |
| Wire isolation              | PVC (br, bl, bk)                |
| Jacket Color                | black                           |
| Shore hardness outer jacket | 85 $\pm$ 5A                     |
| Material (jacket)           | PVC (UL/CSA)                    |
| Outer diameter              | approx. 4.6 mm                  |
| Bend radius (fixed)         | 5 $\times$ outer $\varnothing$  |

|                            |              |
|----------------------------|--------------|
| Bend radius (moving)       | 10 × outer Ø |
| Temperature range (fixed)  | -30...+80 °C |
| Temperature range (mobile) | -5...+80 °C  |

**General data**

|                   |  |
|-------------------|--|
| Temperature range | -25...+85 °C, depending on cable quality |
|-------------------|--|

**Commercial data**

|                        |          |
|------------------------|----------|
| country of origin      | DE       |
| customs tariff number  | 85444290 |
| minimum order quantity | 1        |