

Worm Geared Motors MZ with Two-Stage Worm Gears

230/400V, 50Hz, IP54, isolation class F, can also be connected to alternating current using an operating capacitor.

Efficiency class:

90 Watt: IE1

120 Watt: IE2

General data page 945.

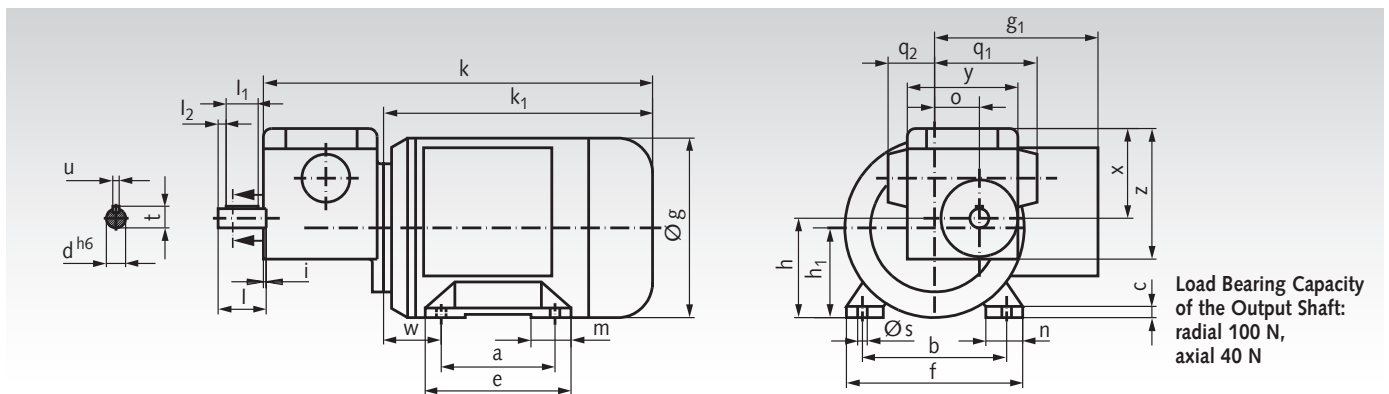
Motor and gearbox with roller bearing.

Worms hardened and ground.

Worm gears made from special bronze.



Ordering details: Type, Voltage/Frequency, possibly Operating Capacitor, Motor Data, Ratio, Product No.



a	b	c	e	f	h	h ₁	m	n	s	w	g	g ₁	k	k ₁	o	q ₁	q ₂	x	y	z	d	i	l	l ₁	l ₂	t	u
71	90	6	84	110	56	62	22	23	6	36	112	102	243	168	28	64	30	56	70	81	12	2	30	20	5	13,5	4

Dimensions without stated tolerances are non-binding!

Motor Data 90 Watt, 1400 min⁻¹, ca. 0.45 A at 400 Volt

Product No.	Output-Speed min ⁻¹	Ratio i =	Permiss. Torque at the Output Shaft Nm	Weight kg	Product No. Operating Capacitor 10µF
434 02 012	112	12,5 : 1	4,8*	4,2	436 359 00
434 02 025	56	25 : 1	7,8*	4,2	436 359 00
434 02 050	28	50 : 1	7,8*	4,2	436 359 00
434 02 070	20	70 : 1	7,1*	4,2	436 359 00
434 02 100	14	100 : 1	6,1*	4,2	436 359 00
434 02 125	11	125 : 1	7,8*	4,2	436 359 00
434 02 250	5,6	250 : 1	7,1*	4,2	436 359 00
434 02 400	3,5	400 : 1	7,4*	4,2	436 359 00
434 02 750	1,9	750 : 1	7,1*	4,2	436 359 00
434 02 990	1,1	1250 : 1	6,1*	4,2	436 359 00
434 02 992	0,9	1500 : 1	7,1*	4,2	436 359 00

* Stability related max. torque.

Motor Data 120 Watt, 2800 min⁻¹, ca. 0.5 A at 400 Volt

Product No.	Output-Speed min ⁻¹	Ratio i =	Permiss. Torque at the Output Shaft Nm	Weight kg	Product No. Operating Capacitor 16µF
434 03 012	224	12,5 : 1	3,4	4,2	436 361 00
434 03 025	112	25 : 1	6,6	4,2	436 361 00
434 03 050	56	50 : 1	7,8*	4,2	436 361 00
434 03 070	40	70 : 1	7,1*	4,2	436 361 00
434 03 100	28	100 : 1	6,1*	4,2	436 361 00
434 03 125	22	125 : 1	7,8*	4,2	436 361 00
434 03 250	11	250 : 1	7,1*	4,2	436 361 00
434 03 400	7	400 : 1	7,4*	4,2	436 361 00
434 03 750	3,7	750 : 1	7,1*	4,2	436 361 00
434 03 990	2,2	1250 : 1	6,1*	4,2	436 361 00
434 03 992	1,9	1500 : 1	7,1*	4,2	436 361 00

* Stability related max. torque.

Frequency Inverters
page 919

