

Würth Elektronik eiSos GmbH & Co. KG

EMC & Inductive Solutions

Max-Eyth-Straße 1 · 74638 Waldenburg · Germany

Tel. +49 (0) 79 42 945-0 · Fax +49 (0) 79 42 945-400

eiSos@we-online.de · www.we-online.de



Product / Process Change Notification (PCN)

- Major change
 Minor change

PCN #: PCN_WE-SD_20210519
Affected Series: WE-SD-Series 74471XXXX
PCN Date: February 19, 2021
Effective Date: May 19, 2021

Change Category:

Equipment / Location
 General Data
 Material
 Process
 Product Design
 Shipping / Packaging
 Supplier
 Software

Contact: Product Management
Phone: +49 (0) 7942 - 945 5001
Fax: +49 (0) 7942 - 945 5179
E-Mail: pcn.eisos@we-online.com

Data Sheet Change:

Yes No

Attachment:

Yes No

DESCRIPTION AND PURPOSE OF CHANGE:

Due to internal standardisation, Würth Elektronik will change the packaging from bulk to plastic tray packaging for the parts 744711005 and 744711010.

For the purpose of a datasheet information enlargement, Würth Elektronik will update and add information to the datasheets of the WE-SD-Series.

All products with date code 2021-05-19 or later, will be affected by this change.

There will be no change in form, fit, function, quality or reliability of the product.

DETAIL OF CHANGE:

1. PACKAGING CHANGE 744711005 AND 744711010

To satisfy our internal quality requirements Würth Elektronik will replace the bulk packaging by the plastic tray packaging for the parts 744711005 and 744711010.

Würth Elektronik eiSos GmbH & Co. KG

EMC & Inductive Solutions

Max-Eyth-Straße 1 · 74638 Waldenburg · Germany

Tel. +49 (0) 79 42 945-0 · Fax +49 (0) 79 42 945-400

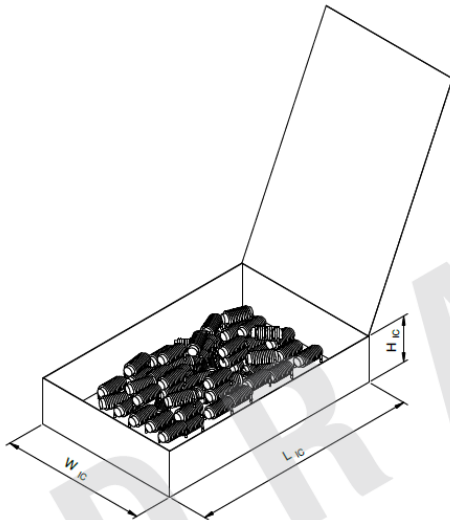
eiSos@we-online.de · www.we-online.de



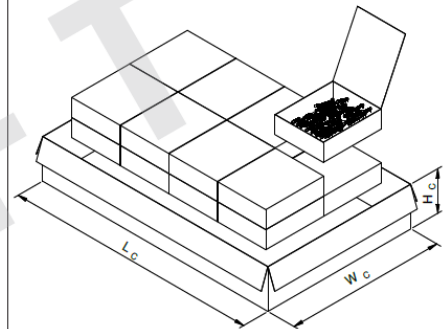
Before the change:

744711005:

400pcs/box



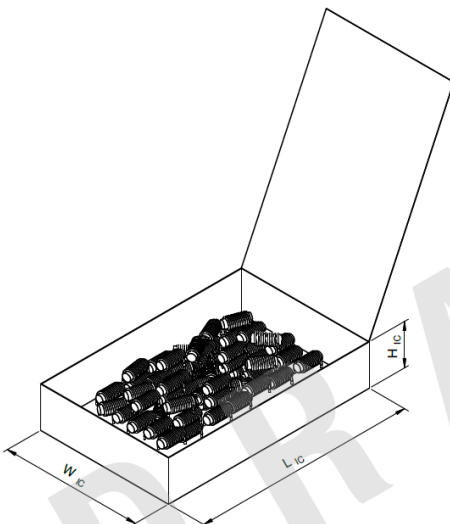
L _c (mm)	W _c (mm)	H _c (mm)	Qty. (pcs.)	Material
150,00	125,00	45,00	400	Paper



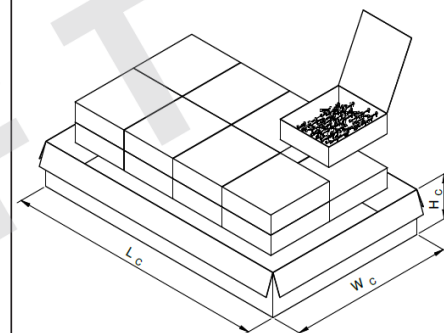
L _c (mm)	W _c (mm)	H _c (mm)	No. of Inner Carton (pcs.)	Qty. (pcs.)	Material
150	125	45	16	6400	Paper

744711010:

200pcs/box



L _c (mm)	W _c (mm)	H _c (mm)	Qty. (pcs.)	Material
150,00	125,00	45,00	200	Paper



L _c (mm)	W _c (mm)	H _c (mm)	No. of Inner Carton (pcs.)	Qty. (pcs.)	Material
150	125	45	16	3200	Paper

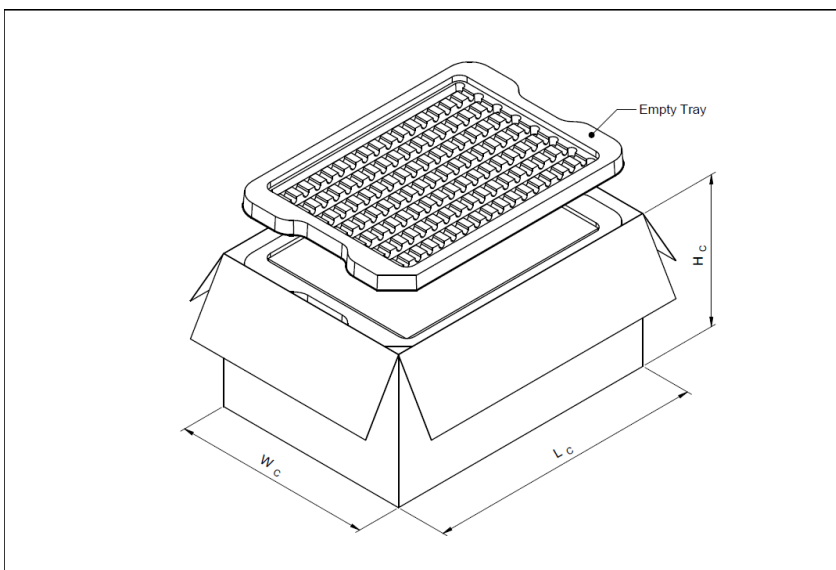
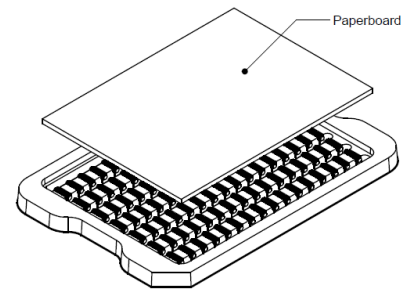
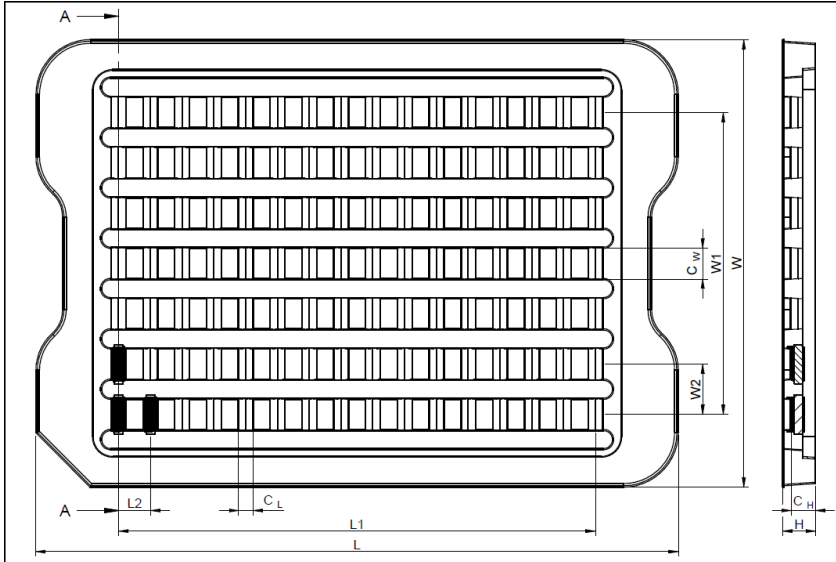
Würth Elektronik eiSos GmbH & Co. KG
 EMC & Inductive Solutions
 Max-Eyth-Straße 1 · 74638 Waldenburg · Germany
 Tel. +49 (0) 79 42 945-0 · Fax +49 (0) 79 42 945-400
 eiSos@we-online.de · www.we-online.de



After the change:

744711005:

112pcs/layer, 10 full trays in a carton → 1120pcs/carton



Würth Elektronik eiSos GmbH & Co. KG

EMC & Inductive Solutions

Max-Eyth-Straße 1 · 74638 Waldenburg · Germany

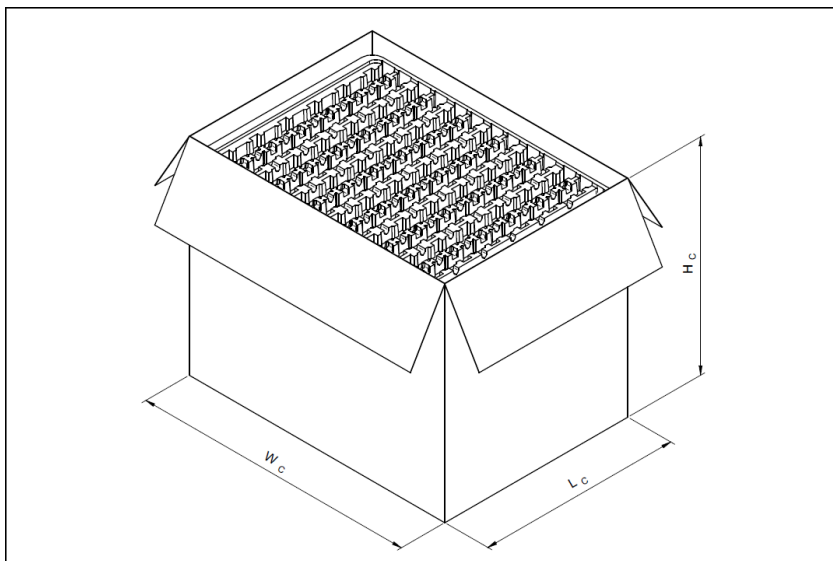
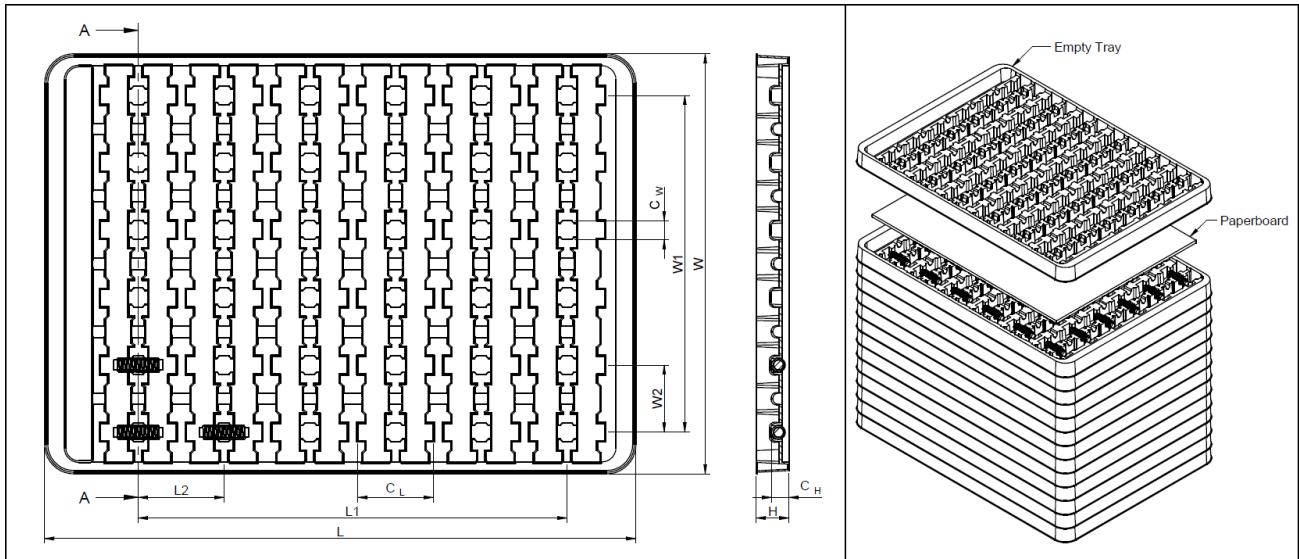
Tel. +49 (0) 79 42 945-0 · Fax +49 (0) 79 42 945-400

eiSos@we-online.de · www.we-online.de



744711010:

36pcs/layer, 13 full trays in a carton → 468pcs/carton



2. DATASHEET CHANGES

There will be no change in form, fit, function, quality or reliability of the product.

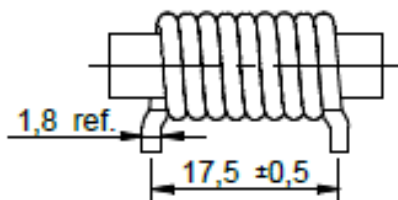
Only datasheet values will be updated due to new and improved measurements.

(Article 744710215 is used as example for the whole series here)

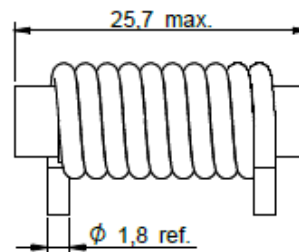
2.1 Update of the drawings

Before this change every component drawing was missing one turn. Every drawing was renewed and now shows the correct number of turns. There is no change of the product.

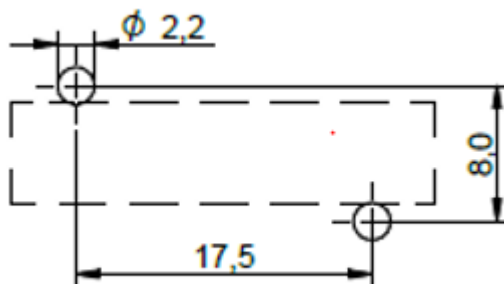
Before:



After:



2.2 Recommended Land Pattern added to the datasheets



2.3 Updated the Self Resonant Frequency

Updated the values due to improved measurements. There is no change of the product.

Article	old value	new value
744710203	110 MHz	290 MHz
744710205	100 MHz	180 MHz
744710210	100 MHz	150 MHz
744710215	85 MHz	110 MHz
744710603	65 MHz	140 MHz
744710605	60 MHz	95,0 MHz
744710610	55 MHz	80,0 MHz
744710615	45 MHz	55,0 MHz
744711003	45 MHz	90,0 MHz
744711005	50 MHz	80,0 MHz
744711010	43 MHz	50,0 MHz
744711015	37 MHz	40,0 MHz

2.4 Added the parameter Saturation Current (ISAT $|\Delta L/L| < 10\%$)

Article	Saturation Current (typ.)
744710203	5,0 A
744710205	18 A
744710210	32 A
744710215	34 A
744710603	6,5 A
744710605	14,5 A
744710610	19 A
744710615	45 A
744711003	7,0 A
744711005	12 A
744711010	13 A
744711015	56 A

2.5 Added certifications

Certification:

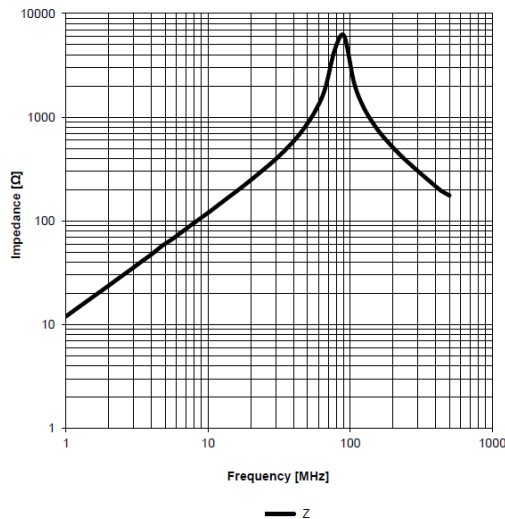
RoHS Approval	Compliant [2011/65/EU&2015/863]
REACH Approval	Conform or declared [(EC)1907/2006]
Halogen Free	Conform[JEDEC JS709B]



2.6 Updated the “Typical Impedance Characteristics” graph

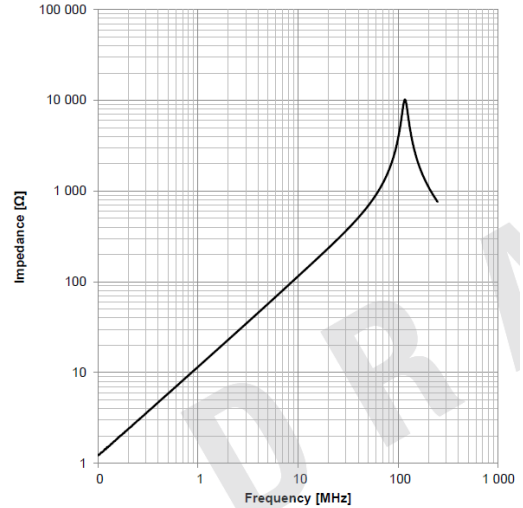
Before:

Typical Impedance Characteristics:



After:

Typical Impedance Characteristics:



Würth Elektronik eiSos GmbH & Co. KG

EMC & Inductive Solutions

Max-Eyth-Straße 1 · 74638 Waldenburg · Germany

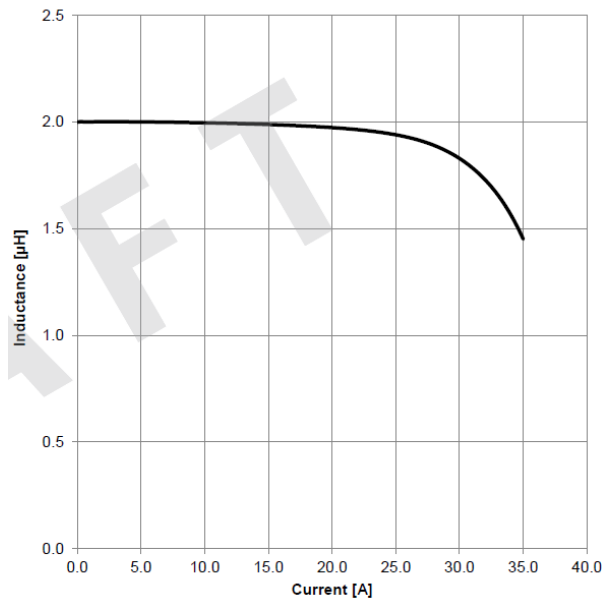
Tel. +49 (0) 79 42 945-0 · Fax +49 (0) 79 42 945-400

eiSos@we-online.de · www.we-online.de



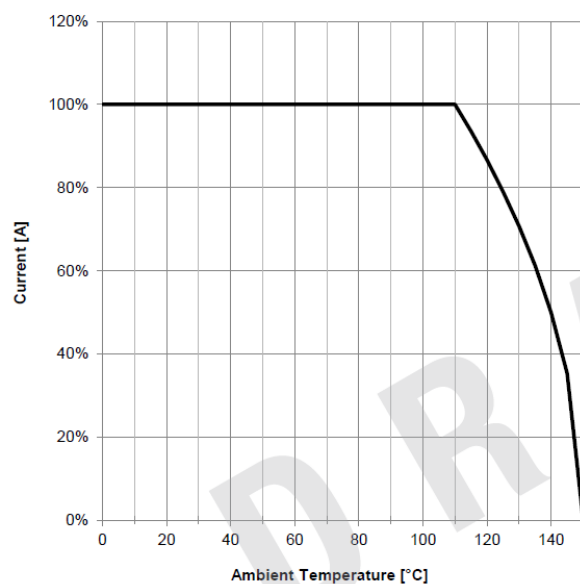
2.7 Added "Typical Inductance vs. Current Characteristics" graph

Typical Inductance vs. Current Characteristics:



2.8 Added derating graph

Derating Curve:



Würth Elektronik eiSos GmbH & Co. KG

EMC & Inductive Solutions

Max-Eyth-Straße 1 · 74638 Waldenburg · Germany

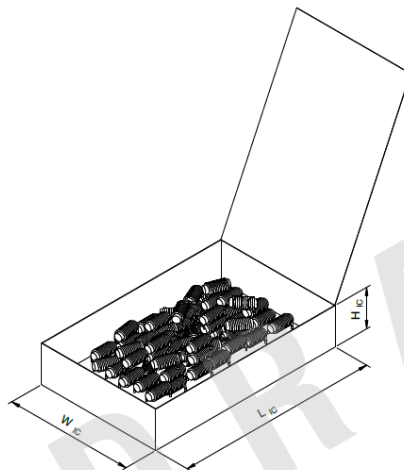
Tel. +49 (0) 79 42 945-0 · Fax +49 (0) 79 42 945-400

eiSos@we-online.de · www.we-online.de

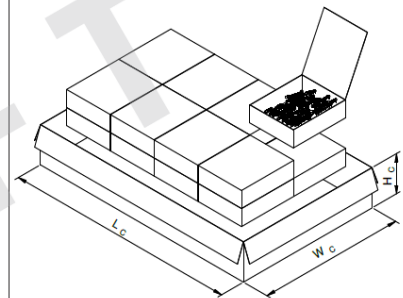


2.9 Added packaging specification for all articles

Packaging Specification - Carton: [mm]



L _c (mm)	W _c (mm)	H _c (mm)	Qty. (pcs.)	Material
150.00	7.25.00	45.00	250	Paper



L _c (mm)	W _c (mm)	H _c (mm)	No. of Inner Carton (pcs.)	Qty. (pcs.)	Material
150.00	370.00	100.00	16	8000	Paper

2.10 Updated "Cautions and Warnings"

RELIABILITY / QUALIFICATION SUMMARY:

Product approval is according to the specification and is internally released by the Product Management Department.