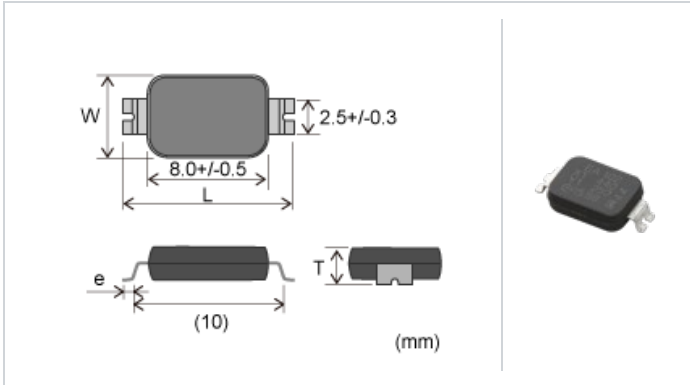




< List of part numbers with package codes >
DK1E3EA102M86RBH01

Shape



L size	11.4 ±0.5mm
W size	6.0 ±0.5mm
T size	2.5 mm max.
Metal terminal width e	0.75±0.3mm

References

Packaging	Specifications	Minimum quantity
R	φ330mm Embossed taping	2500

Specifications

Capacitance	1000pF ±20%
Rated voltage	Y1 300Vac(r.m.s.)
Temperature characteristics (complied standard)	E(JIS)
Capacitance change rate	+20/-55%
Temperature range of temperature characteristics	-25 to 85°C
Operating temperature range	-40 to 125°C

Attention

- 1.This datasheet is downloaded from the website of Murata Manufacturing Co., Ltd. Therefore, it's specifications are subject to change or our products in it may be discontinued without advance notice. Please check with our sales representatives or product engineers before ordering.
- 2.This datasheet has only typical specifications because there is no space for detailed specifications. Therefore, please review our product specifications or consult the approval sheet for product specifications before ordering.