

## SUMMARY

### # Wires

Low voltage 10



*Image is for illustrative purpose only*

Series 1B  
Termination type Female print PCB  
IP rating 50  
AWG wire size 34.00 - 28.00  
Cable Ø 0.00 - 0.00 mm  
Status active  
Matching parts [FGG.1B.310.CLAD42](#)

### Download

[Request a quote](#)  
[PCB Eagle Pattern](#)  
[PCB Altium Pattern](#)  
[PCB KiCad Pattern](#)  
[Catalog](#)

## TECHNICAL DETAILS

### Mechanics

Shell Style/Model EX\*: Elbow receptacle for printed circuit with two nuts (solder or screw fixing, back panel mounting)  
Keying 1 key (alpha=0, plug: male contacts, receptacle: female contacts)  
Housing Material PPS (Polyphenylene) shell, other pieces nickel plated [SAE AMS QQ N 290] brass  
Weight 14.49 g

### Performance

Configuration 1B.310/EXG : 10 Low Voltage  
Insulator L: PEEK (UL 94 / V-0/1.5)  
Rated Current 1.5 Amps

### Specifications

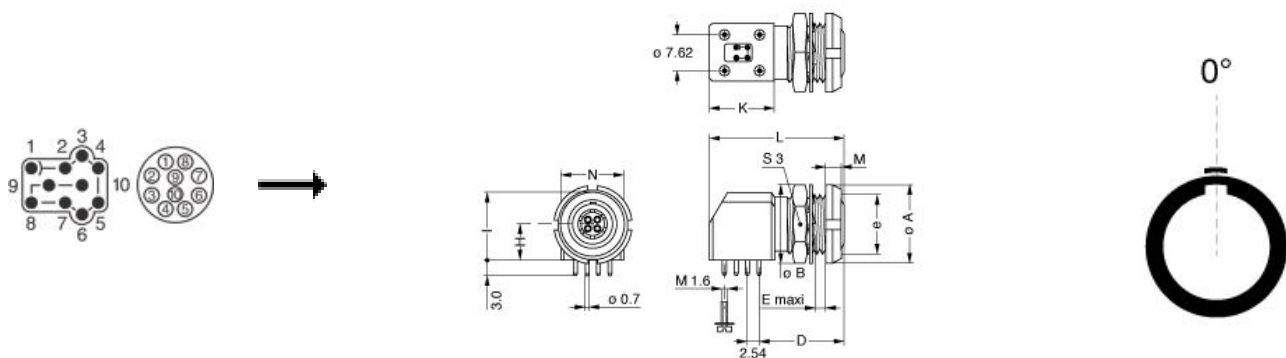
Contact Type: Print (straight)  
Contact Dia.: 0.5 mm (0.02in)  
R (max): 8.7 mOhm  
Test voltage contact-contact : 1 kV rms  
Test voltage contact-body shell : 1 kV rms

### Others

*LEMO products and services are provided "as is". LEMO makes no warranties or representations with regard to LEMO product & services or use of them, express, implied or statutory, including for accuracy, completeness, or security. The user is fully responsible for his products and applications using LEMO components.*

Endurance (Shell): 5000  
 Temp (min / max): -55 °C / +250 °C  
 Humidity (max): <=95% [at 60 deg C /140 F]  
 Vibration: 15 g [10 Hz - 2000 Hz]  
 Shock Resistance: 100 g [ 6 ms]  
 Climatical Category: 50/175/21  
 Shielding (min): 75 dB (10 MHz)  
 Shielding (min): 40 dB (1 GHz)  
 Salt Spray Corrosion: >144 hr

## DRAWINGS



### Dimensions

	A	B	D	E	H	I	K	L	M	N	S3	e
mm.	14	15	16.6	7.5	7.5	14	13.3	27	3.5	12.6	13	M11x0.5
in.	0,55	0,59	0,65	0,30	0,30	0,55	0,52	1,06	0,14	0,50	0,51	

## RECOMMENDED BY LEMO

### Tools

Spanner wrench: [Socket for torque wrench DCM.65.120.AZ](#)

*LEMO products and services are provided "as is". LEMO makes no warranties or representations with regard to LEMO product & services or use of them, express, implied or statutory, including for accuracy, completeness, or security. The user is fully responsible for his products and applications using LEMO components.*

*LEMO products and services are provided "as is". LEMO makes no warranties or representations with regard to LEMO product & services or use of them, express, implied or statutory, including for accuracy, completeness, or security. The user is fully responsible for his products and applications using LEMO components.*