

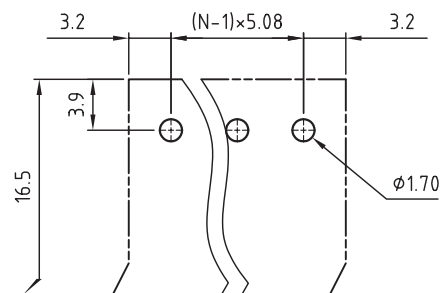
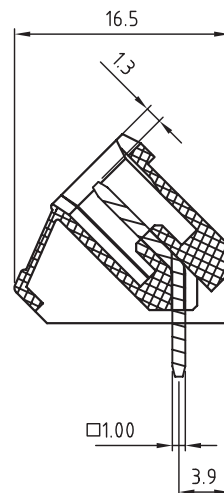
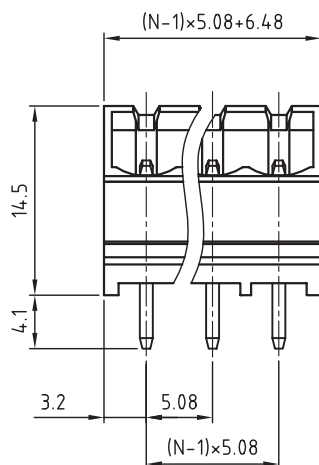
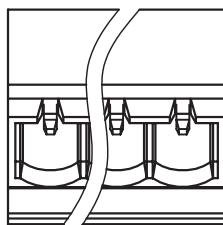
1

2

3

4

5



PCB LAYOUT - COMPONENT VIEW

TECHNICAL CHARACTERISTICS

MATERIAL
 INSULATOR: PA66
 FLAMABILITY RATING: UL94-V0
 COLOR: GREEN
 CONTACT PIN: BRASS (CuZn)
 SOLDER TAIL PLATING: TIN

ENVIRONMENTAL
 OPERATING TEMPERATURE: -40 UP TO 105°C
 COMPLIANCE: LEAD FREE AND ROHS

| | | |
|-----------------------|-------------|--------|
| ELECTRICAL | cULus | VDE |
| CURRENT RATING: | 20A | 20A |
| WORKING VOLTAGE: | 300VAC | 300VAC |
| WITHSTANDING VOLTAGE: | 1.6KV | 2.5KV |
| CONTACT RESISTANCE: | 20 mOhm MAX | |

MECHANICAL
 PITCH: 5.08MM

SOLDERING: WAVE PROCESS ONLY

PACKAGING: BOX

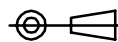
SERIE 314

CERTIFICATION



RoHS Compliant

PROJECTION:



GENERAL TOLERANCE

.X = +/- 0.2

.XX = +/- 0.15



APPROVAL: RJ

UNIT: MM

SCALE:

SHEET: 1/1

DRAW: MARVIN

DESCRIPTION: SERIE 314 - 5.08MM CLOSE 45° PCB HEADER WR-TBL

WERI PART NO: 691 314 520 1xx

SIZE

A4

| | | | |
|-----|-----------|-----------------|----|
| G | | | |
| F | | | |
| E | | | |
| D | | | |
| C | | | |
| B | 29-OCT-08 | CHARACTERISTICS | JP |
| A | 19-MAR-08 | PDF | CH |
| REV | DATE | FILE | BY |