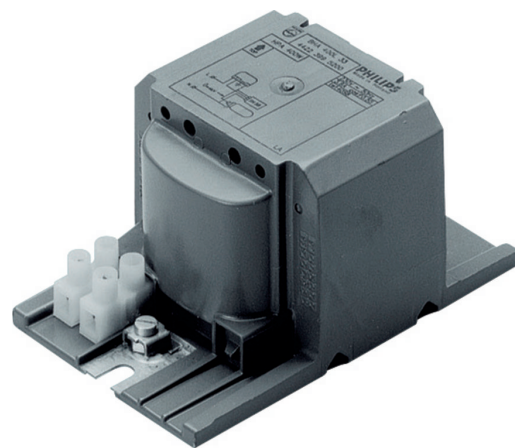


PHILIPS

Lighting



HID-HeavyDuty BSX for SOX

BSX 90 L32 240V 50Hz HD1-118

Encapsulated electromagnetic copper/iron ballasts for SOX and SOX-E lamps

Product data

| General Information | |
|---------------------|--------------|
| Application Code | L32 |
| Design | HD1-118 |
| Lamp Type | SOX |
| Number of Lamps | 1 piece/unit |

| Operating and Electrical | |
|--|-----------|
| Input Voltage | 240 V |
| Input Frequency | 50 Hz |
| Mains Voltage Performance (AC) | -8%-+6% |
| Mains Voltage Safety (AC) | -10%-+10% |
| Input Current with PF Correction | 0.50 A |
| Input Current without PF Correction | 0.94 A |
| Power Factor without PF Compensation (Nom) | 0.45 |
| Power Losses (Nom) | 13.3 W |

| Wiring | |
|------------------------------------|---------------------------|
| Wire Striplength | 7.0 mm |
| Ballast Contact Wire Cross Section | 0.70-6.00 mm ² |
| Connector Type | Screw |

| System characteristics | |
|------------------------|-----------|
| Capacitor | 10µF/250V |

| | |
|--------------------------|-----------------------------|
| Rated Ballast-Lamp Power | 90 W |
| Recommended Ignitor | ignitor SX76 (913650050566) |

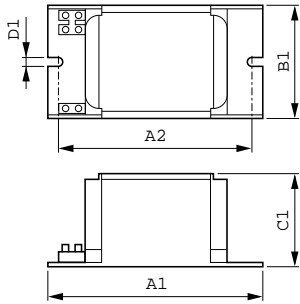
| Temperature | |
|---------------------------|--------|
| T-Storage (Max) | 130 °C |
| T-Storage (Min) | -30 °C |
| T-Winding (Max) | 130 °C |
| Delta-T Normal Conditions | 65 °C |

| Approval and Application | |
|--------------------------|-----------------------------|
| Approval Marks | CE marking ENEC certificate |

| Product Data | |
|---------------------------------|------------------------------|
| Full product code | 871150091534431 |
| Order product name | BSX 90 L32 240V 50Hz HD1-118 |
| EAN/UPC - Product | 8711500915344 |
| Order code | 913650080526 |
| Numerator - Quantity Per Pack | 1 |
| Numerator - Packs per outer box | 6 |
| Material Nr. (12NC) | 913650080526 |
| Net Weight (Piece) | 1.260 kg |

HID-HeavyDuty BSX for SOX

Dimensional drawing



| Product | D1 | C1 | A1 | A2 | B1 |
|---------------------------------|--------|---------|----------|----------|---------|
| BSX 90 L32 240V 50Hz HD1-118 | 6.2 mm | 53.0 mm | 118.0 mm | 103.0 mm | 65.0 mm |

BSX 90 L32 240V 50Hz HD1-118

